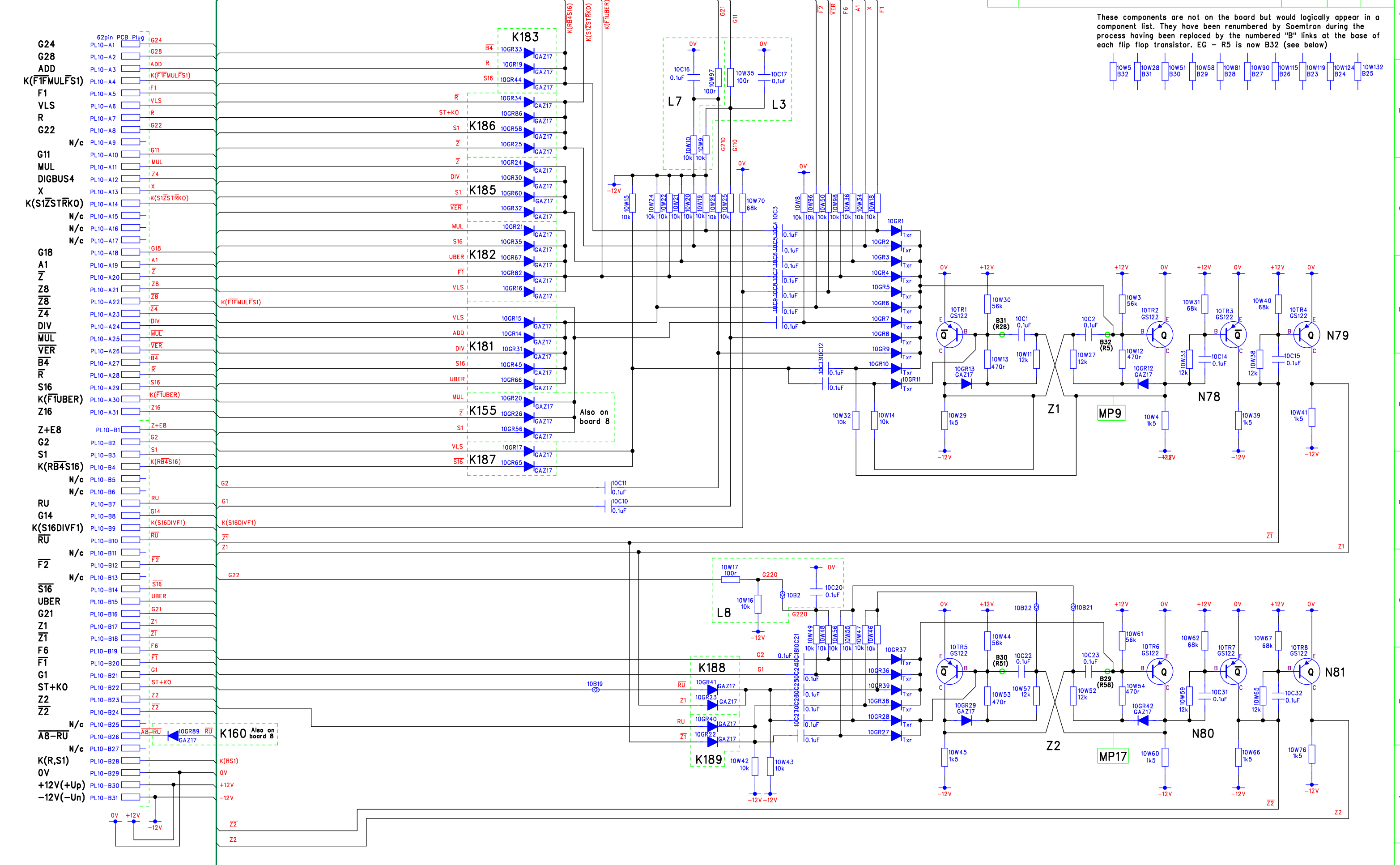


Comp side -
 Solder side - 3042 05-220-7010-7 f
 Date coded - 21/73

RevNo	Revision note	Date	By	Checked
-	-	-	-	-



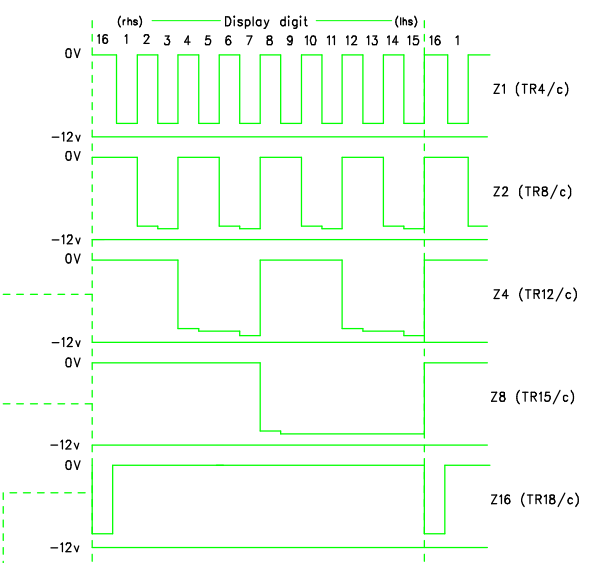
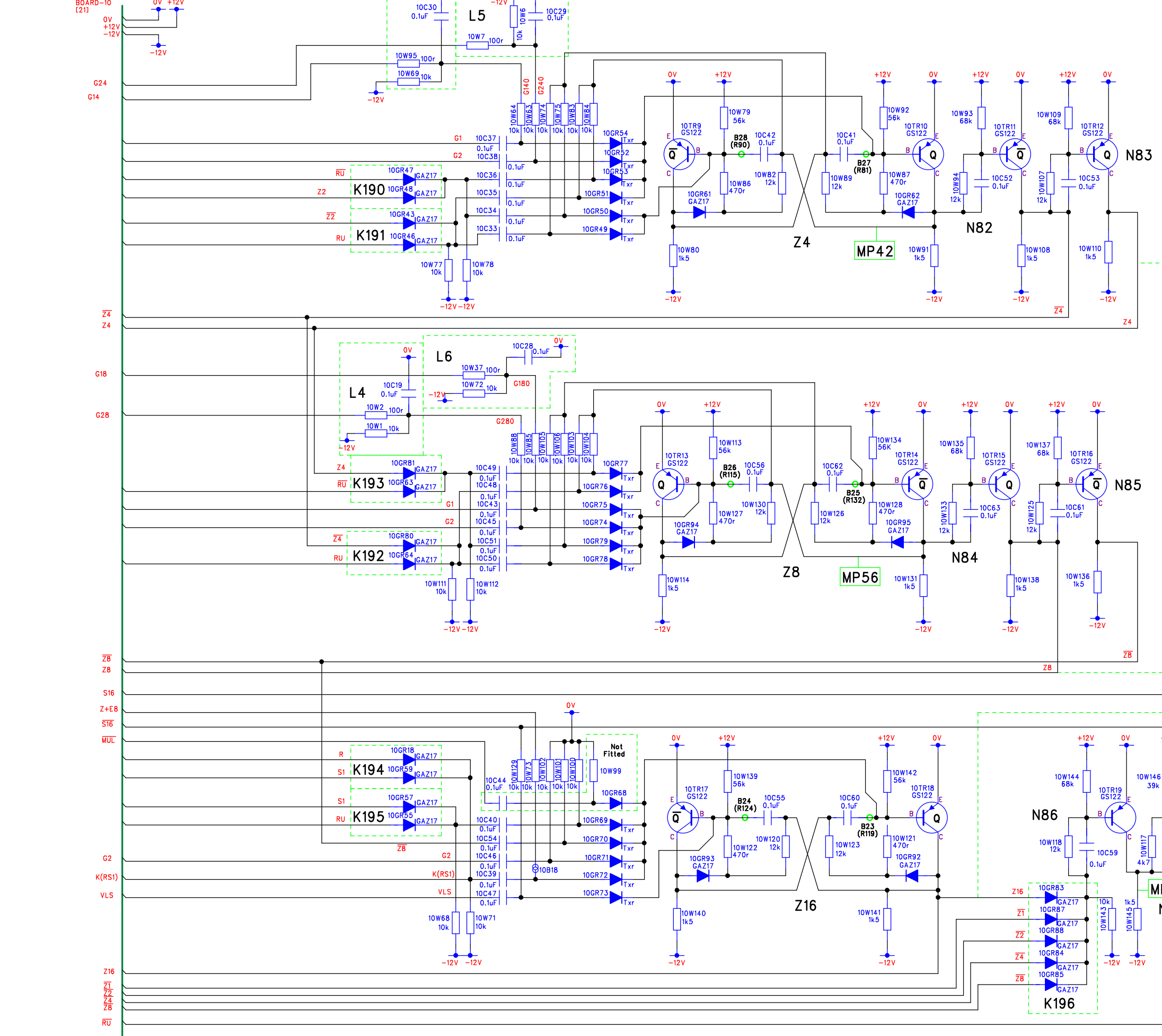
These diagrams are referenced to 0V - Logical 1 = -12v, logical 0 = 0V



DM Associates
 33, Northbrook Road
 Aldershot, Hampshire. GU11 3HE
 Email: mike@soemtron.org
 www.soemtron.org

Pcb Dwg # =		Scale	Nts	Title	
Drawn	Name MD Hatch	Sheet	21	Soemtron ETR 220 Calculator	
Checked	Date 8/11/2007	Next Sheet	22	Digit Count (BCD) Z1-16	
		Drawing Number	Soemtron 220	BOARD 10 Sheet 1	
		Issue	A2	A	

RevNo	Revision note	Date	By	Checked
-	-	-	-	-



Display only timing diagram

These diagrams are referenced to 0V - Logical 1 = -12v, logical 0 = 0V



DM Associates
33, Northbrook Road
Aldershot, Hampshire. GU11 3HE
Email: mike@soemtron.org
www.soemtron.org

Pcb Dwg # =

Name	Date
Drawn MD Hatch	8/11/2007
Checked -	-

Scale	Nts
Sheet 22	22
Next Sheet	23
Drawing Number	Soemtron 220

Title	Issue
Soemtron ETR 220 Calculator Digit Count (BCD) Z1-16 BOARD 10 Sheet 2	A