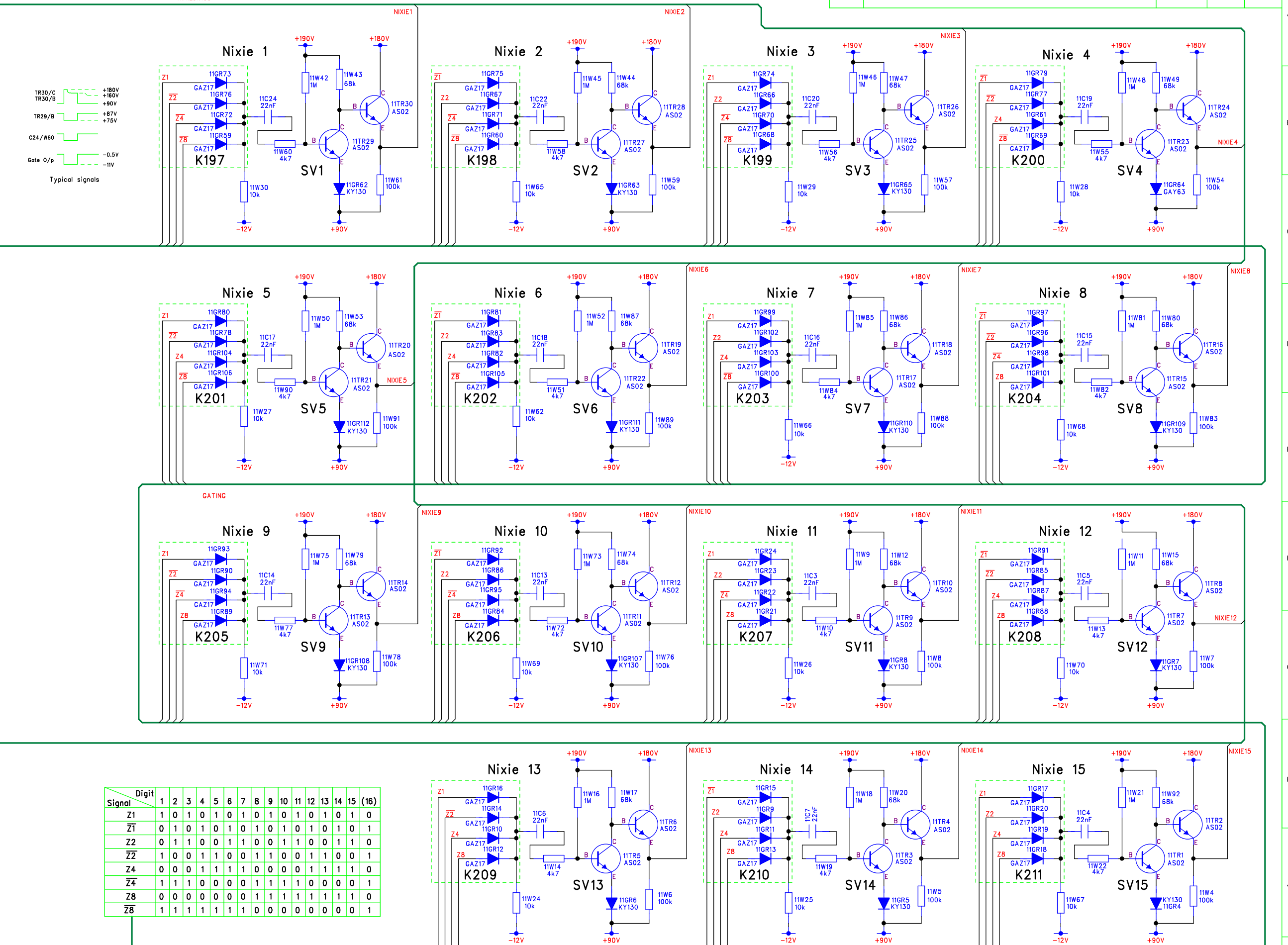
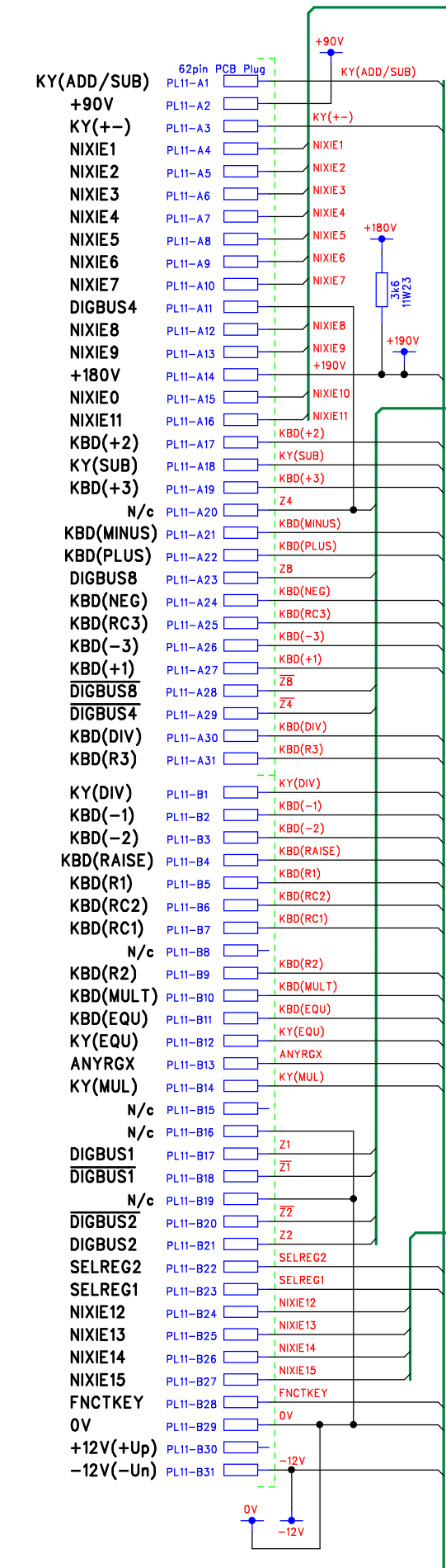


Comp side -
Solder side - 3043 05-220-7011-5 0g
Date coded - 20/73



Signal	Digit	1	2	3	4	5	6	7	8	9	10	11	12	13	14	15	(16)
Z1		1	0	1	0	1	0	1	0	1	0	1	0	1	0	1	0
Z1		0	1	0	1	0	1	0	1	0	1	0	1	0	1	0	1
Z2		0	1	1	0	0	1	1	0	0	1	1	0	0	1	1	0
Z2		1	0	0	1	1	0	0	1	1	0	0	1	1	0	0	1
Z4		1	1	1	0	0	0	0	1	1	1	0	0	0	1	1	0
Z4		0	0	0	1	1	1	0	0	0	1	1	1	0	0	0	1
Z8		0	0	0	0	0	0	1	1	1	1	1	1	1	1	0	0
Z8		1	1	1	1	1	1	0	0	0	0	0	0	0	0	1	0

These diagrams are referenced to 0V - Logical 1 = -12V, logical 0 = 0V



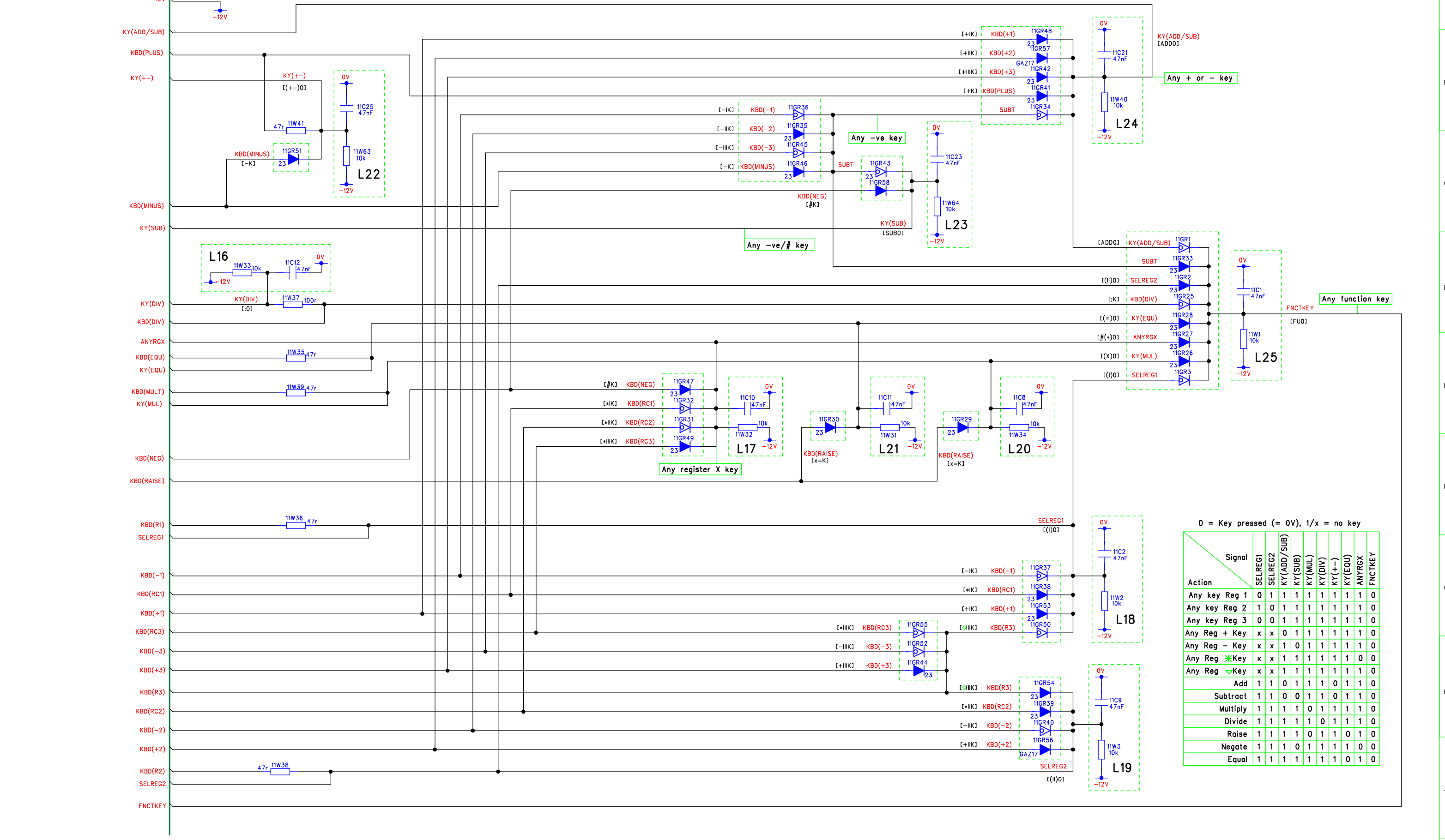
DM Associates
33, Northbrook Road
Aldershot, Hampshire. GU11 3HE
Email: mike@soemtron.org
www.soemtron.org

Pcb Dwg # =

Drawn	Name	Date
Checked	MD Hatch	12/10/2007

Scale	Nts	Title
Sheet	23	Soemtron ETR 220 Calculator
Next Sheet	24	#11 - Digit Decode & Anode Drive
Drawing Number	Soemtron 220	BOARD 11 Sheet 1

Function & Register Key Encoder



0 = Key pressed (= 0V), 1/x = no key

Signal	SELREG1	SELREG2	KY(ADD/SUB)	KY(SUB)	KY(MUL)	KY(DIV)	KY(+/-)	KY(EQU)	ANYRGX	FNCTKEY
Action										
Any key Reg 1	0	1	1	1	1	1	1	1	1	0
Any key Reg 2	1	0	1	1	1	1	1	1	1	0
Any key Reg 3	0	0	1	1	1	1	1	1	1	0
Any Reg + Key	x	x	0	1	1	1	1	1	1	0
Any Reg - Key	x	x	1	0	1	1	1	1	1	0
Any Reg *Key	x	x	1	1	1	1	1	1	0	0
Any Reg /Key	x	x	1	1	1	1	1	1	1	0
Add	1	1	0	1	1	0	1	1	0	0
Subtract	1	1	0	0	1	1	0	1	1	0
Multiply	1	1	1	1	0	1	1	1	1	0
Divide	1	1	1	1	1	0	1	1	1	0
Raise	1	1	1	1	0	1	1	0	1	0
Negate	1	1	1	0	1	1	1	1	0	0
Equal	1	1	1	1	1	1	1	0	1	0

These diagrams are referenced to 0V - Logical 1 = -12v, logical 0 = 0V



DM Associates
33, Northbrook Road
Aldershot, Hampshire. GU11 3HE
Email: mike@soemtron.org
www.soemtron.org

Pcb Dwg # =

Name	Date
MD Hatch	12/10/2007
Checked	-

Scale	Nts
Sheet	24
Next Sheet	25
Drawing Number	Soemtron 220

Title	Soemtron ETR 220 Calculator
	#11 - Keyboard Function Encoder
	BOARD 11 Sheet 2
Issue	A2