

RevNo	Revision note	Date	By	Checked
-	-	-	-	-

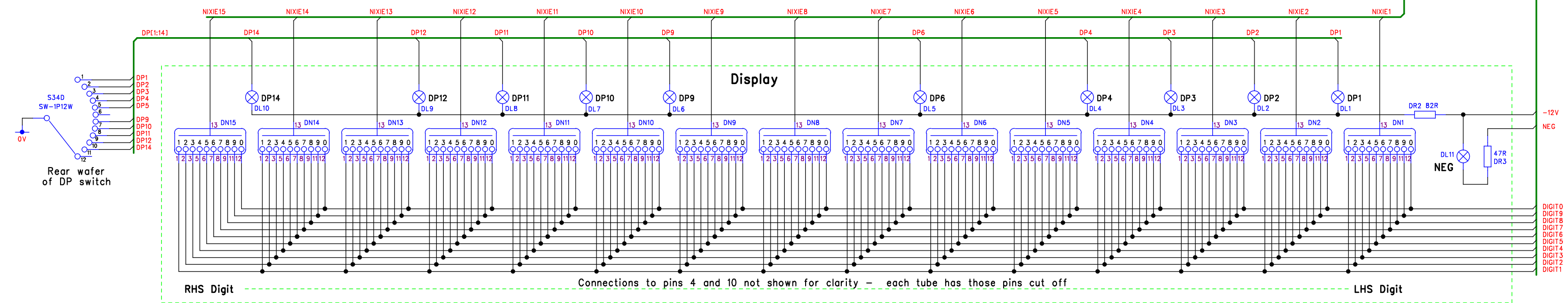
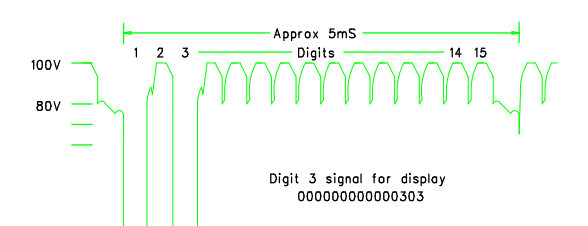
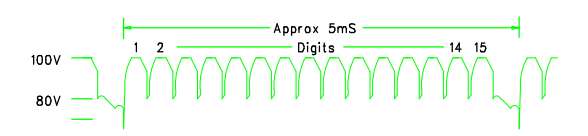
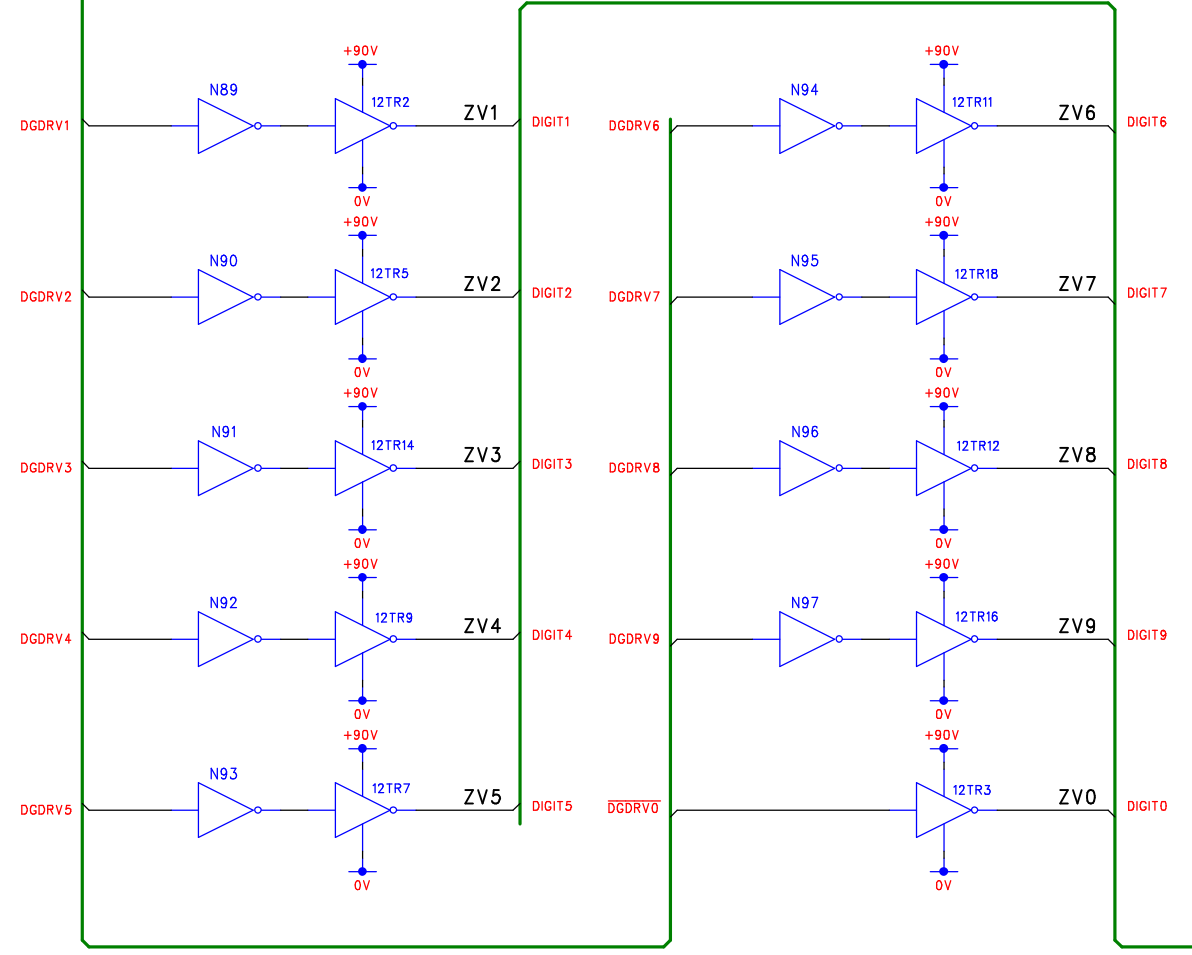
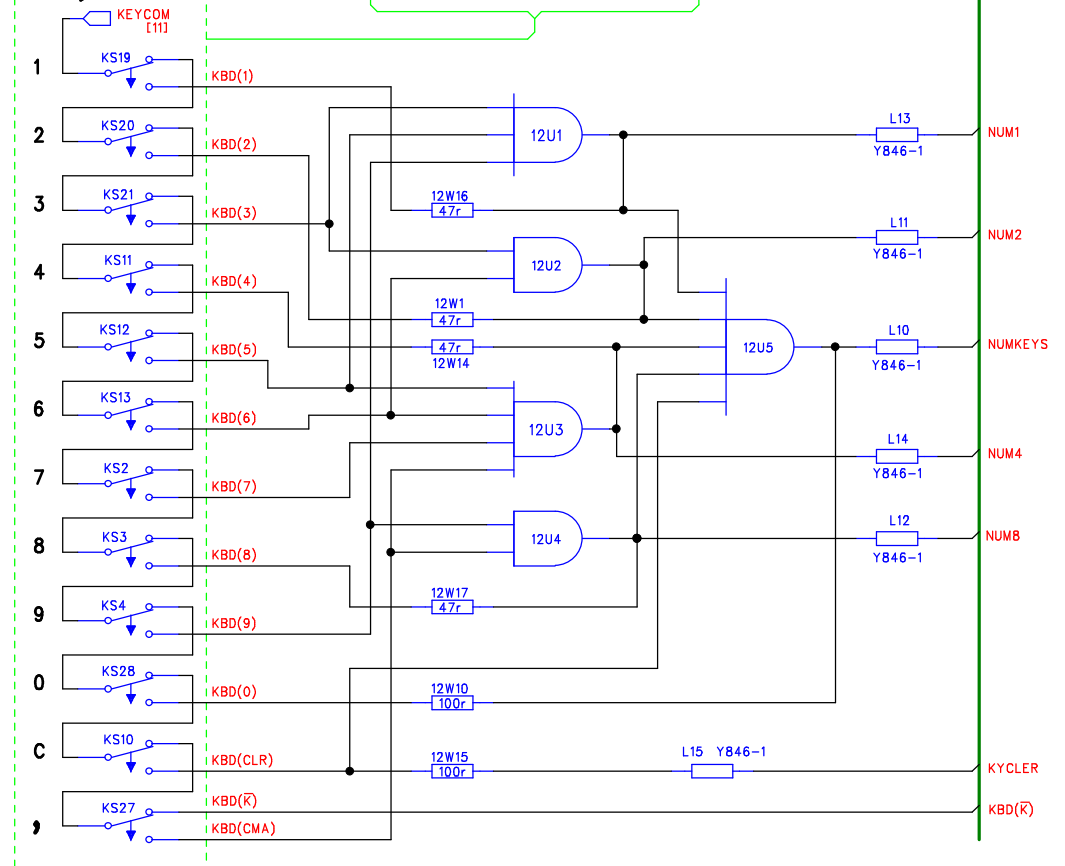
DIGIT-BUSS [1,3,4,9]  
 NIXIE[1:15] [11]  
 ENCODED-NUMBER [8,9]

X	0	1	2	3	4	5	6	7	8	9	Comma	Clear	Key Code
1	1	1	0	1	0	1	0	1	0	1	0	1	NUM1
1	1	1	0	0	1	1	0	0	1	1	1	1	NUM2
1	1	1	1	1	0	0	0	0	1	1	0	1	NUM4
1	1	1	1	1	1	1	1	1	0	0	0	1	NUM8
1	0	0	0	0	0	0	0	0	0	0	0	0	NUMKEYS
1	1	1	1	1	1	1	1	1	1	1	0	1	KYCCLR

0 = Key pressed (= 0V)  
 1 = no key (-12V)

Keys are ordered for this diagram, not as they are wired, see circuit.

**Keyboard**



Negative logic referenced to 0V - Logical 1 = -12v, logical 0 = 0v



DM Associates  
 33, Northbrook Road  
 Aldershot, Hampshire. GU11 3HE  
 Email: mike@soemtron.org  
 www.soemtron.org

Pcb Dwg # =

Drawn	MD Hatch	10/7/2008
Checked	-	-

Name	Date
MD Hatch	10/7/2008

Scale	Nts
Sheet 12	12
Next Sheet	13
Drawing Number	

Title	Issue
Soemtron ETR 220 Calculator #12 - Cathode Drive & Kbd # Encode Logic Diagram	A

© 2008 Mike Hatch. (www.soemtron.org)