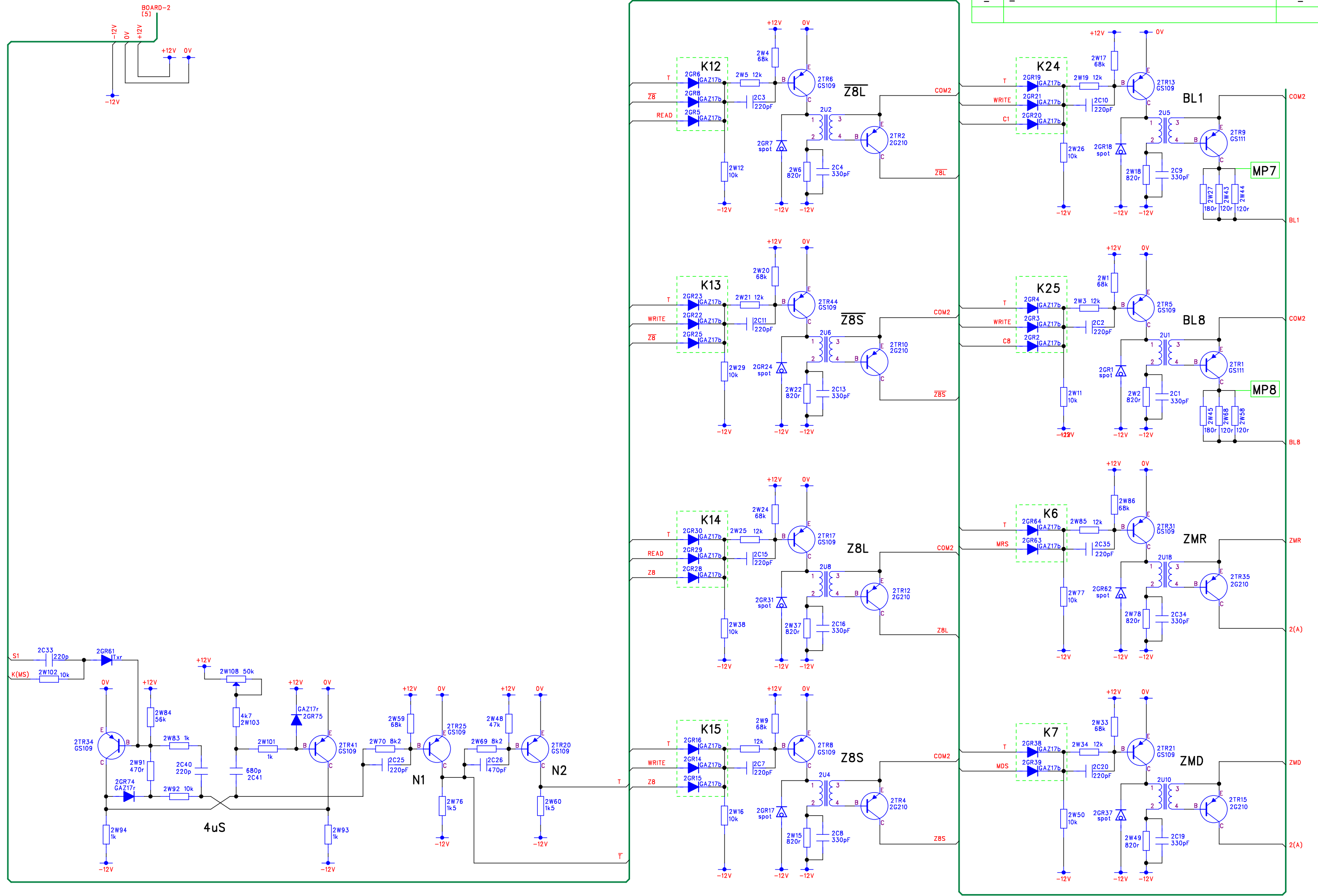


RevNo	Revision note	Date	By	Checked
-	-	-	-	-



These diagrams are referenced to 0V - Logical 1 = -12v, logical 0 = 0V



DM Associates
 33, Northbrook Road
 Aldershot, Hampshire. GU11 3HE
 Email: mike@soemtron.org
www.soemtron.org

Pcb Dwg # =		Scale	Nts	Title	
Drawn	Name	Sheet	6	Soemtron ETR 220 Calculator Core Drivers	
Checked	Date	Next Sheet	7	BOARD 2 Sheet 2	
		Drawing Number	Soemtron 220	A2	Issue A

© 2008 Mike Hatch. (www.soemtron.org)