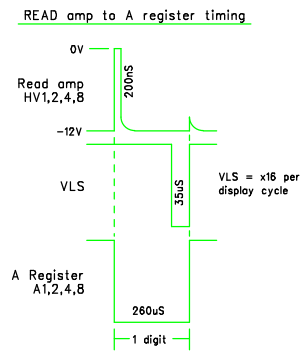
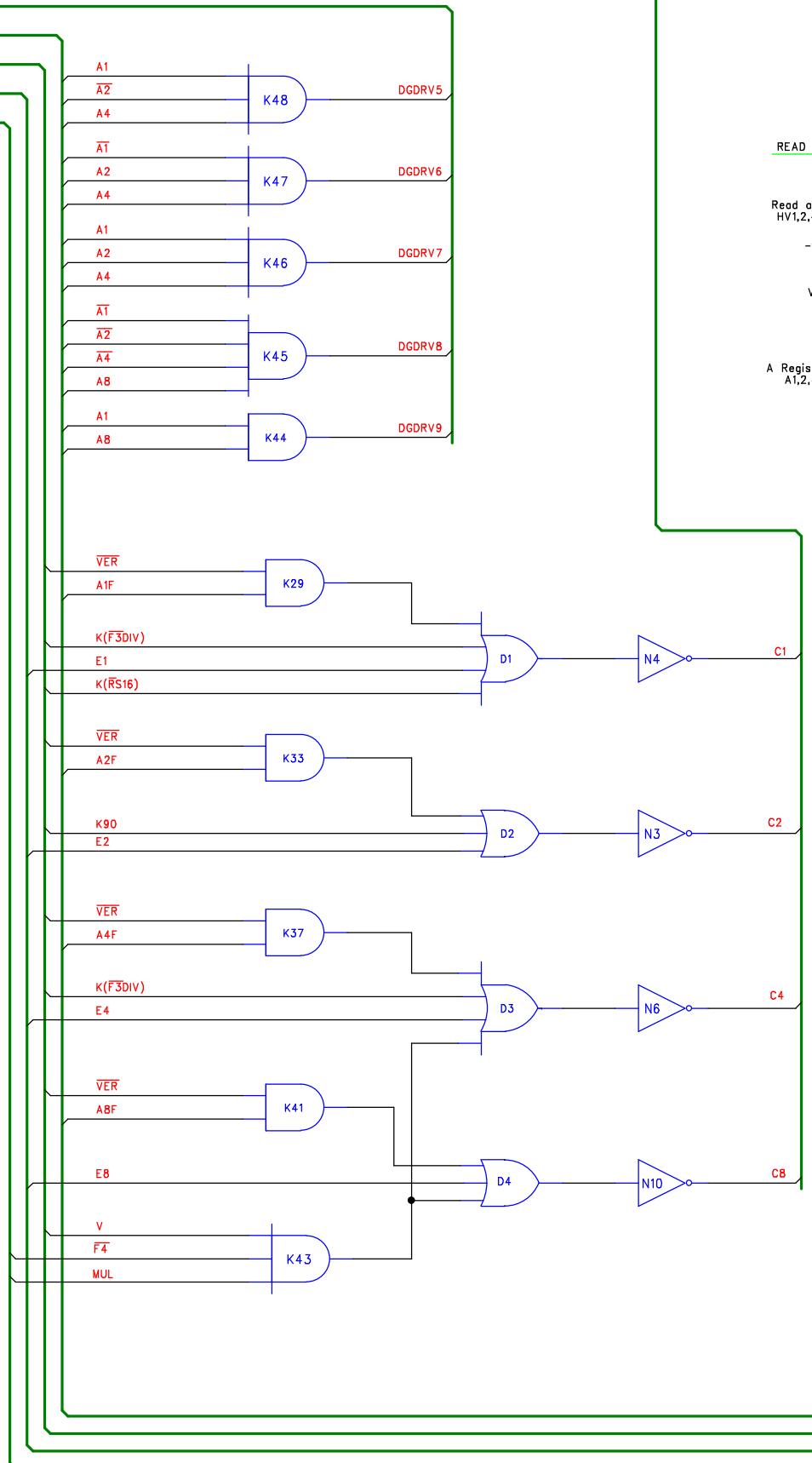
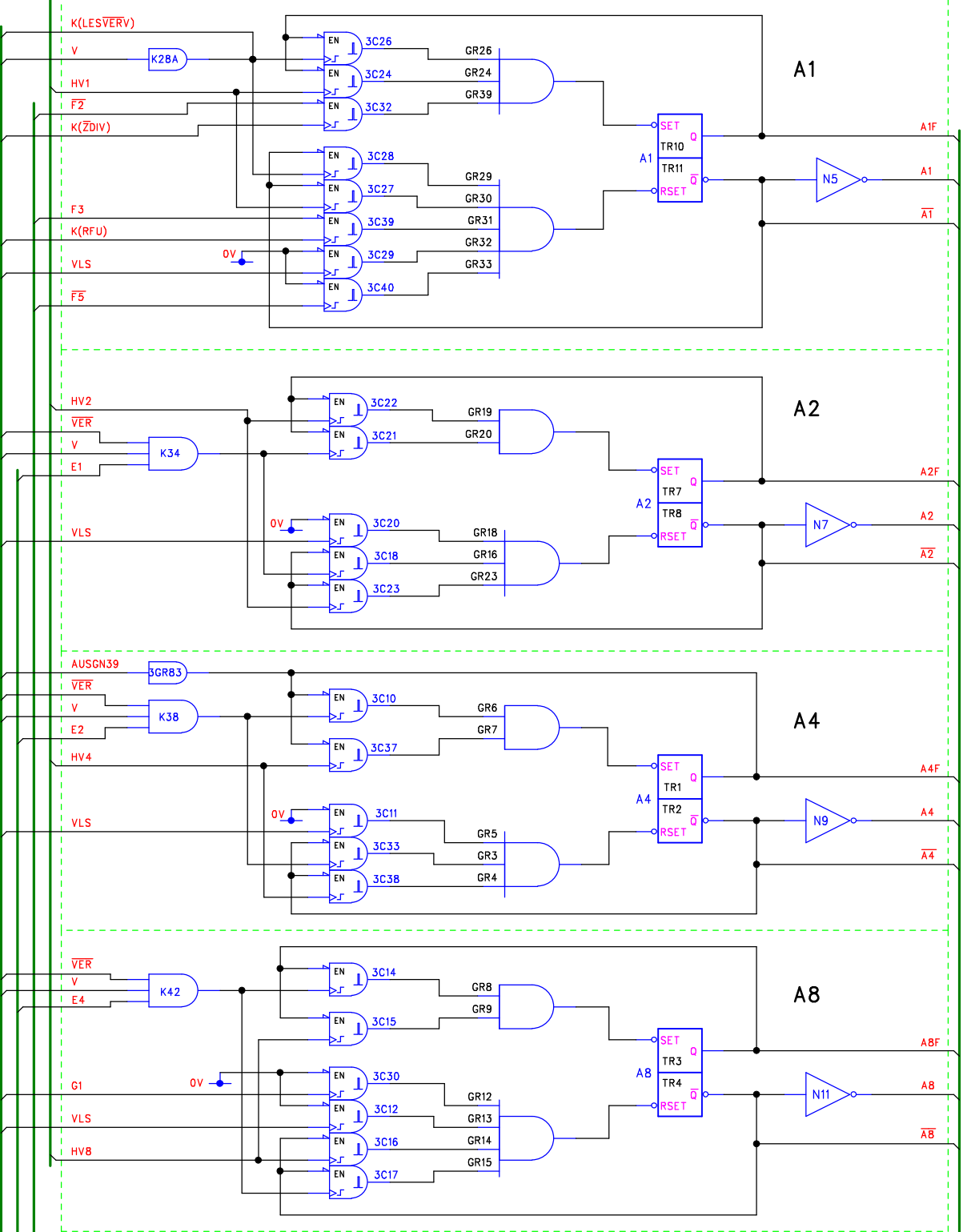


RevNo	Revision note	Date	By	Checked
-	-	-	-	-

- READ-BUSS [1]
- C-BUSS [1,2,4]
- DIGIT-BUSS [1,4,9,12]
- A-BUSS [1,4,6,7,8,9]
- CONTROL [1,2,4,5,6,7,8,9,10,11]
- E-BUSS [4]
- FUNCTIONS [2,4,5,6,7,8,9,10]



K28/A is split over boards 3/4



Negative logic referenced to 0V - Logical 1 = -12v, logical 0 = 0v



DM Associates
33, Northbrook Road
Aldershot, Hampshire. GU11 3HE
Email: mike@soemtron.org
www.soemtron.org

Pcb Dwg # =	
Name	Date
MD Hatch	12/10/2009
Checked	-

Scale	Nts
Sheet	3
Next Sheet	4
Drawing Number	

Title	
Soemtron ETR 220 Calculator	
#3 - A Register & Digit Drives	
Logic Diagram	
Soemtron 220 Logic	A2 Issue A