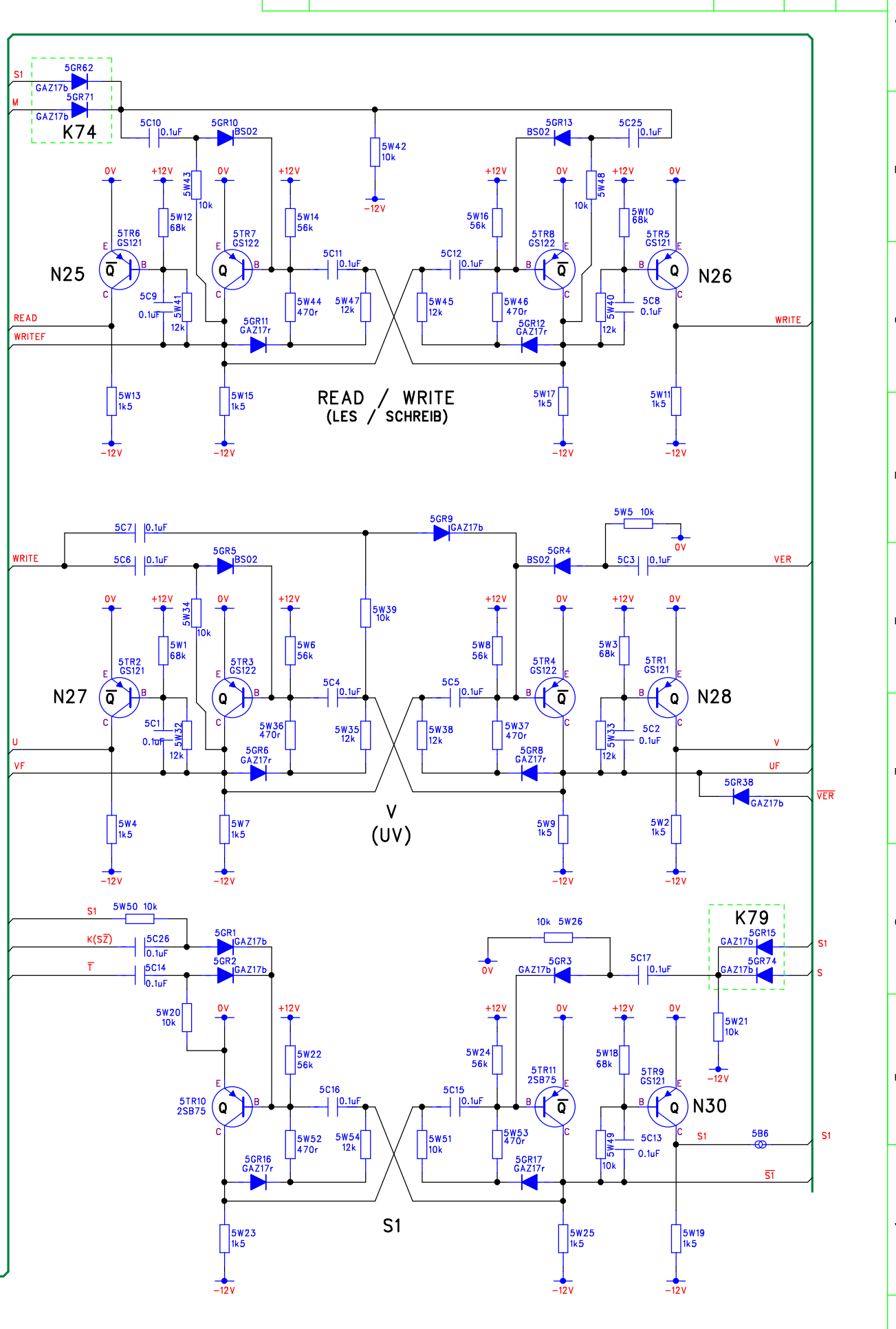
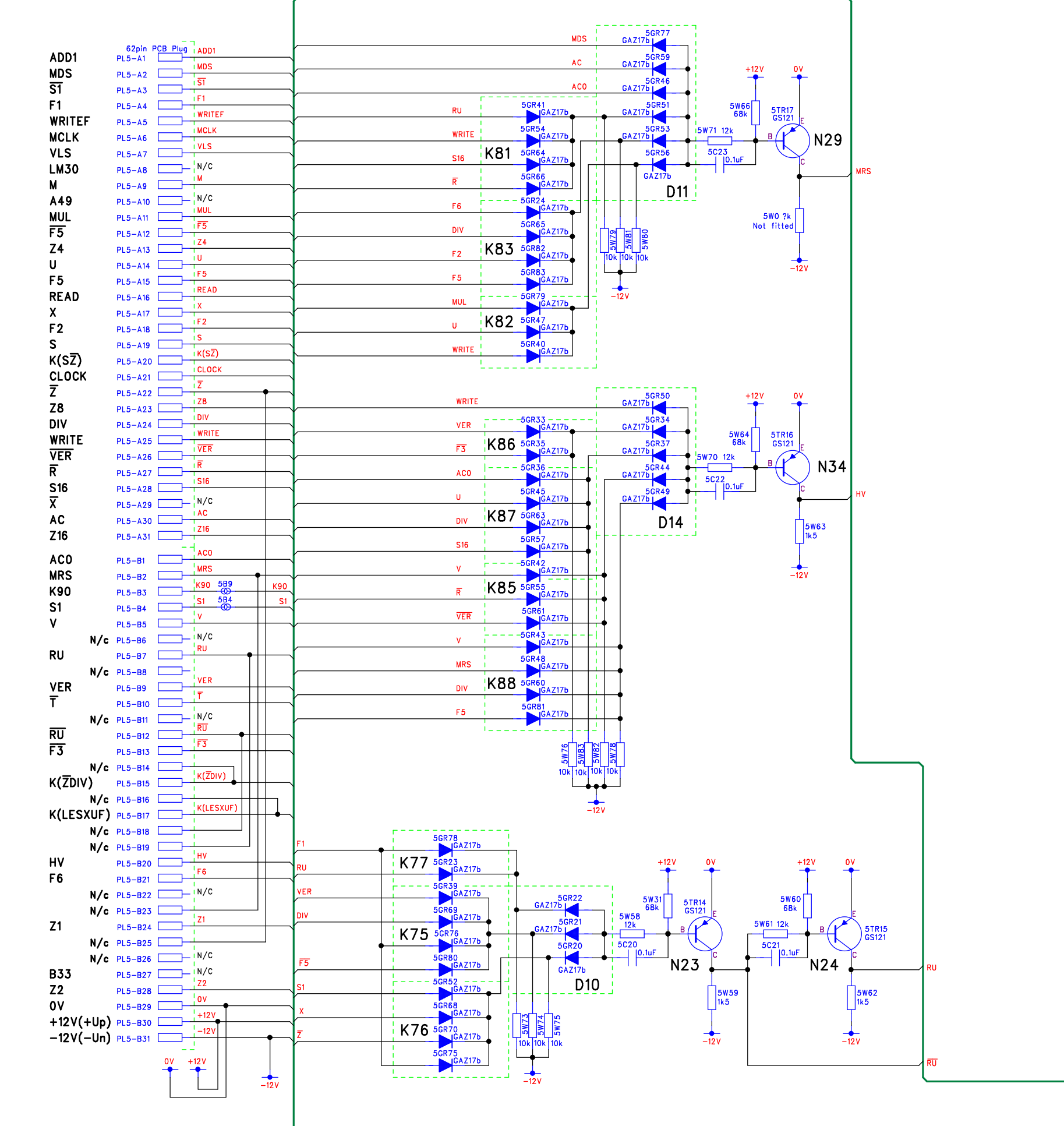


Comp side - 05-220-7005-1 g
 Solder side - 3037 05-220-7005-1 h
 Date coded - 21/73

RevNo	Revision note	Date	By	Checked
-	-	-	-	-



BOARD-5 [12]

These diagrams are referenced to 0V - Logical 1 = -12v, logical 0 = 0V

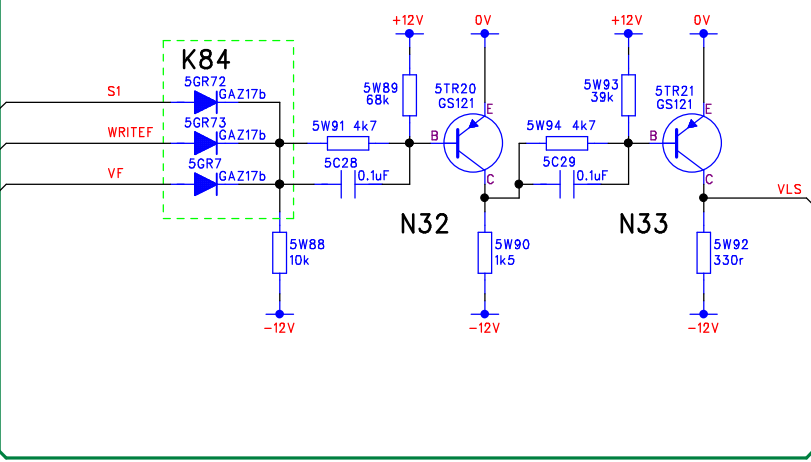
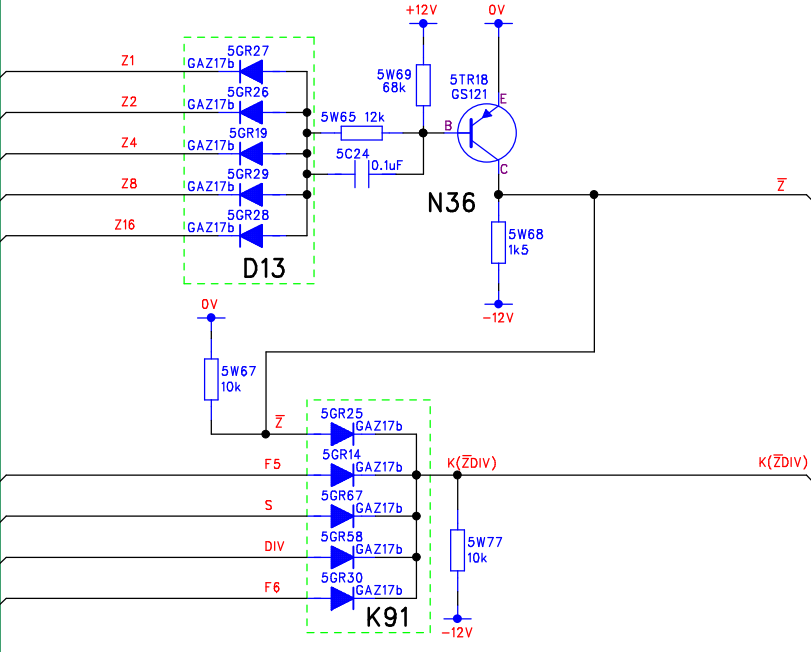
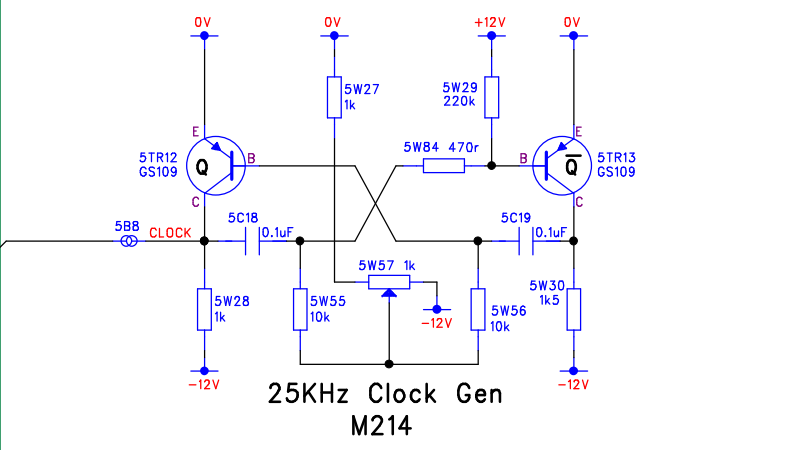
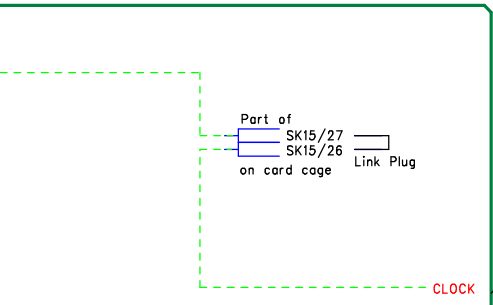
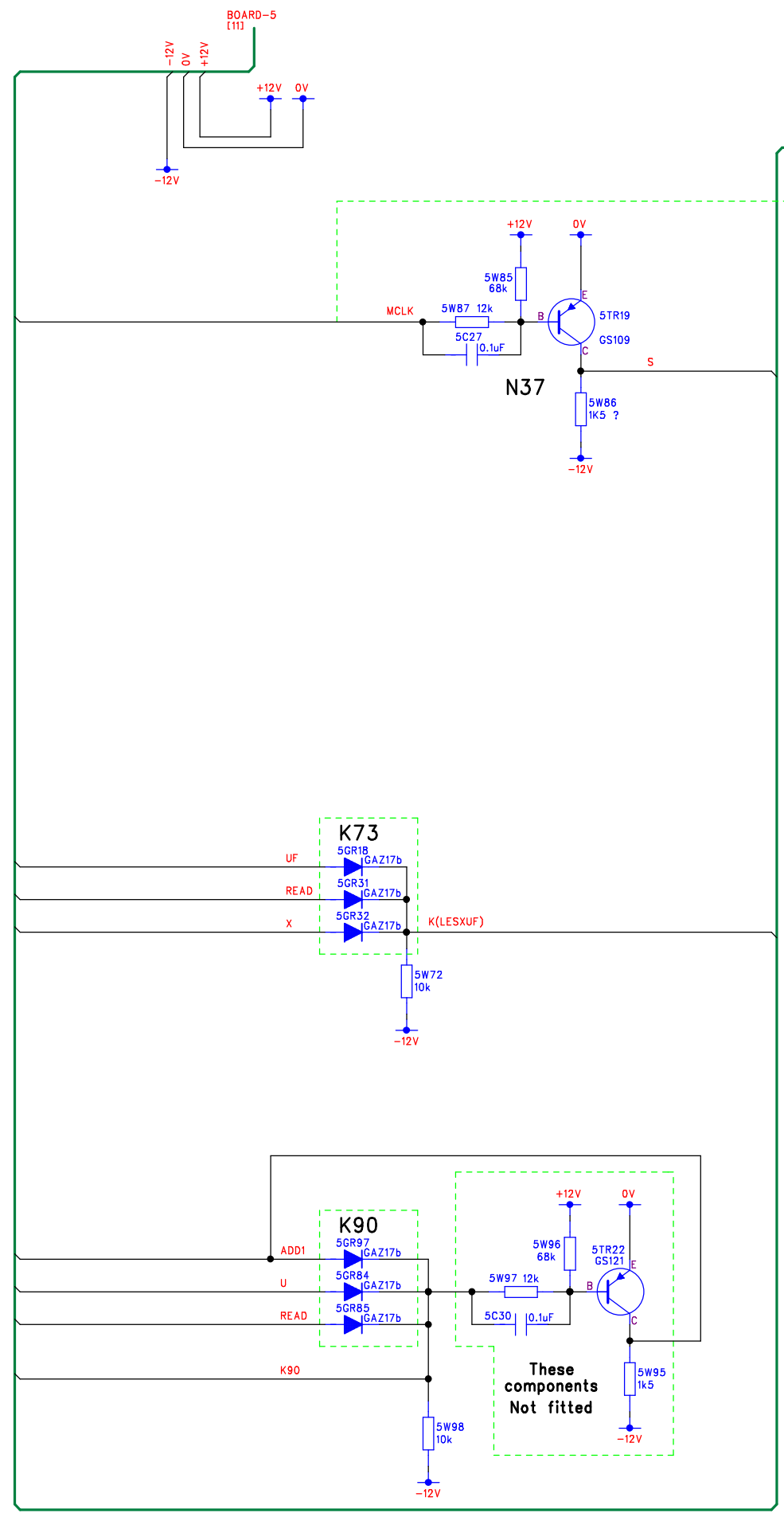
DM Associates
 33, Northbrook Road
 Aldershot, Hampshire. GU11 3HE
 Email: mike@soemtron.org
 www.soemtron.org

Soemtron

© 2008 Mike Hatch. (www.soemtron.org)

Pcb Dwg # =		Scale	Nts	Title	
Drawn	Name	Date	Sheet	Soemtron ETR 220 Calculator	
Checked	MD Hatch	25/2/2008	Next Sheet	Registers V, SCHRIEB, S1	
			Drawing Number	BOARD 5	
				Soemtron 220	A2 Issue A

RevNo	Revision note	Date	By	Checked
-	-	-	-	-



These diagrams are referenced to 0V - Logical 1 = -12v, logical 0 = 0V



DM Associates
 33, Northbrook Road
 Aldershot, Hampshire. GU11 3HE
 Email: mike@soemtron.org
 www.soemtron.org

© 2008 Mike Hatch. (www.soemtron.org)

Pcb Dwg # =

	Name	Date
Drawn	MD Hatch	25/2/2008
Checked	-	-

Scale	Nts
Sheet	12
Next Sheet	13
Drawing Number	Soemtron 220

Title	
Soemtron ETR 220 Calculator	
Control Gating - Clock Generator	
BOARD 5 Sheet 2	
A2 Issue	A