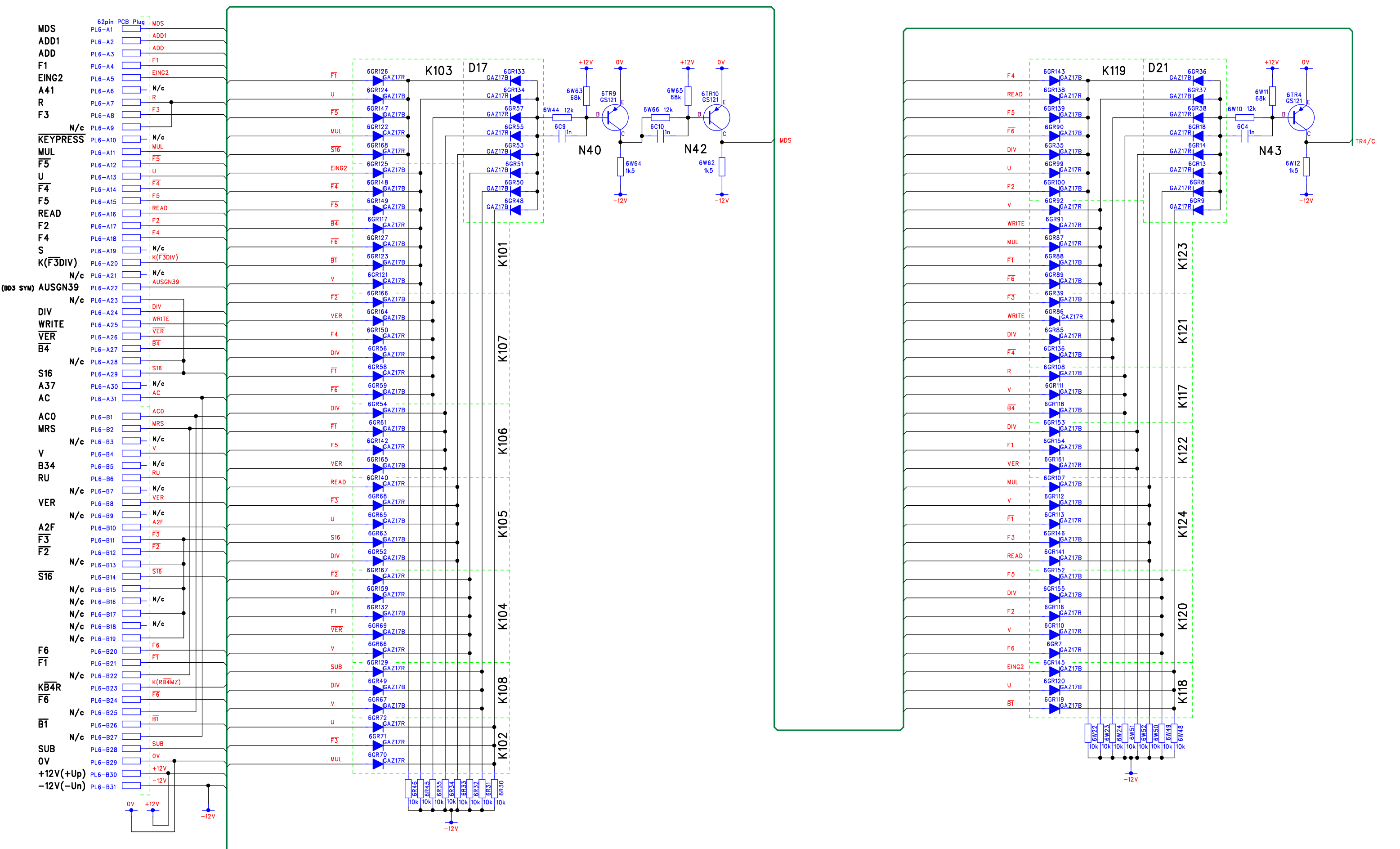


Comp side - 05-220-7006-8 0g  
 Solder side - 3038 05-220-7006-8 0e  
 Date coded - 22/73

RevNo	Revision note	Date	By	Checked
-	-	-	-	-



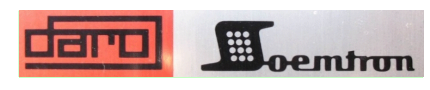
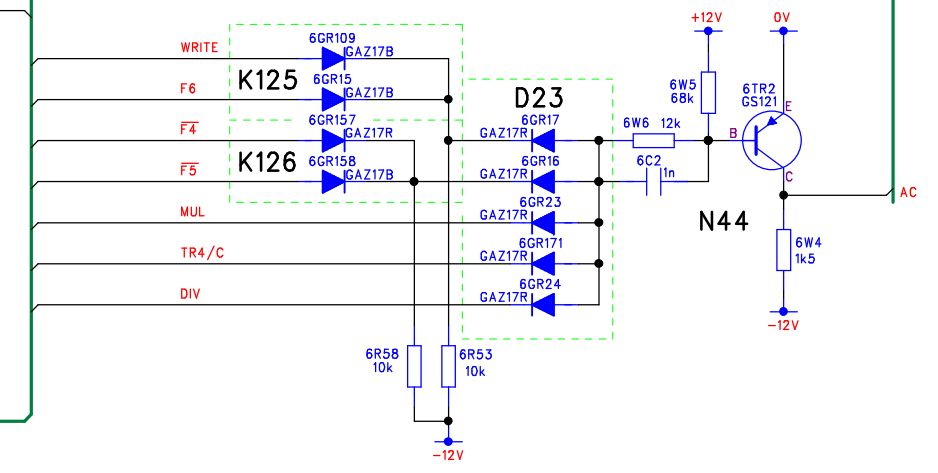
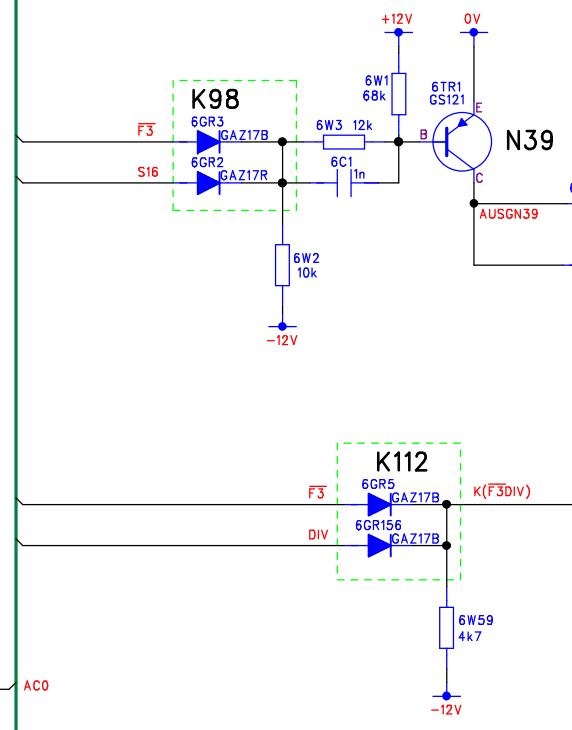
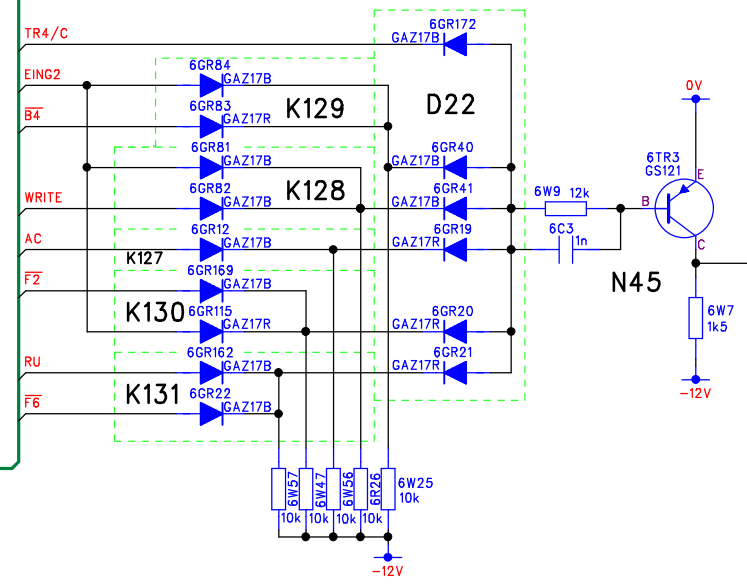
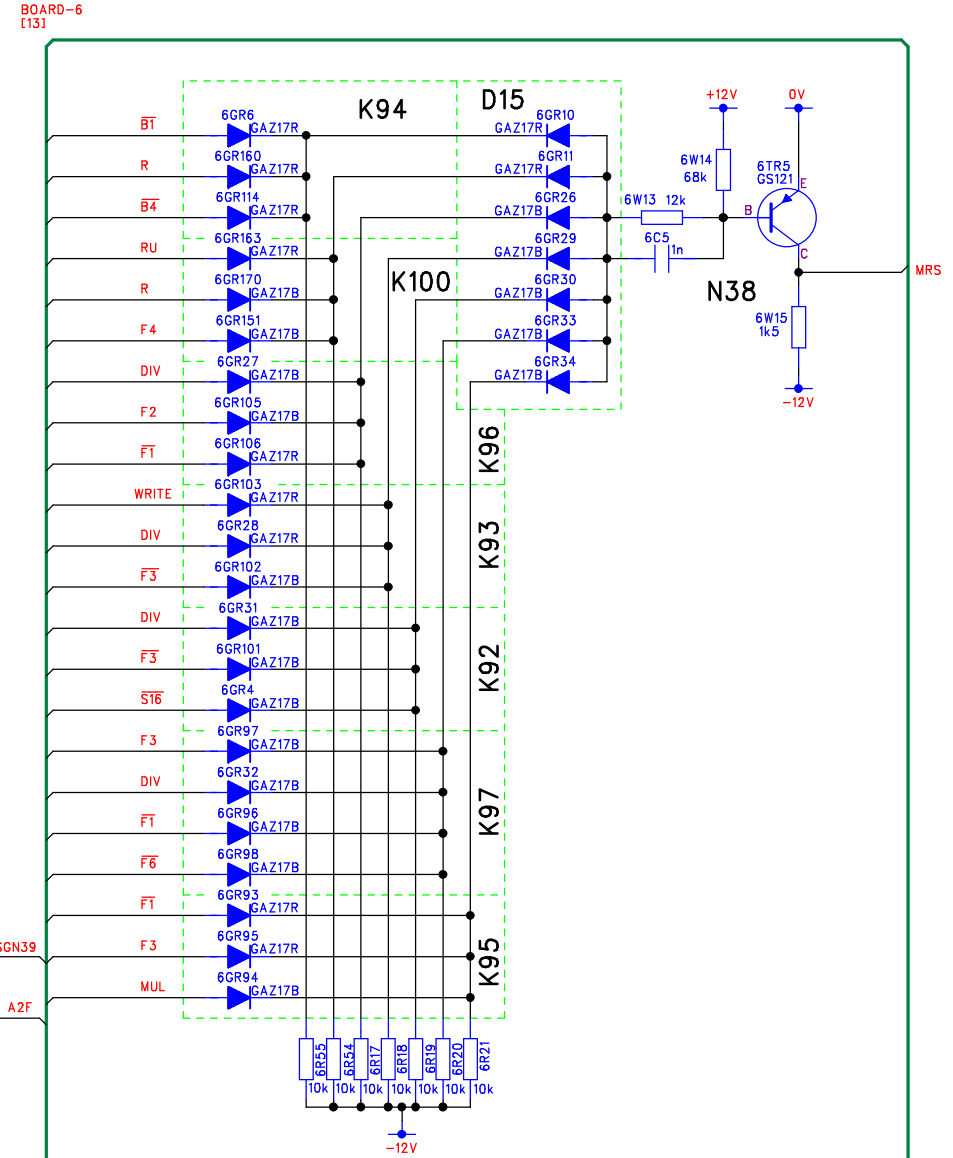
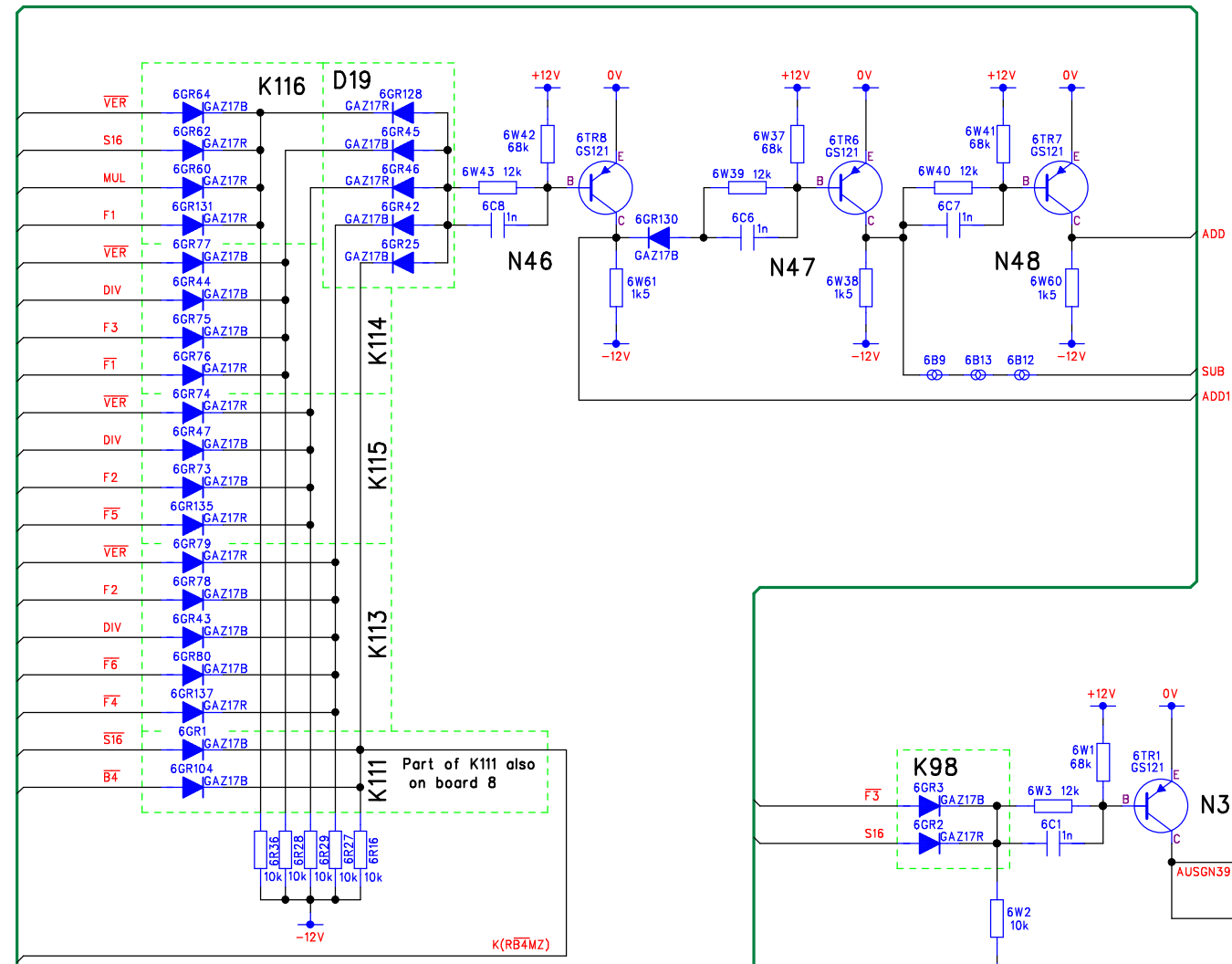
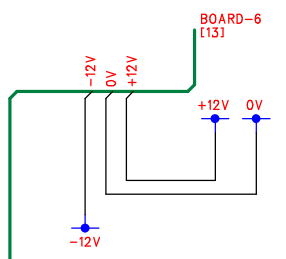
These diagrams are referenced to 0V - Logical 1 = -12v, logical 0 = 0V



DM Associates  
 33, Northbrook Road  
 Aldershot, Hampshire. GU11 3HE  
 Email: mike@soemtron.org  
 www.soemtron.org

Pcb Dwg # =		Scale	Nts	Title	
Drawn	Name	Date	Sheet	Soemtron ETR 220 Calculator	
Checked	MD Hatch	20/2/2008	Next Sheet	Control Gating	
Drawing Number			BOARD 6 Sheet 1		
Soemtron 220			A2 Issue A		

RevNo	Revision note	Date	By	Checked
-	-	-	-	-



DM Associates  
 33, Northbrook Road  
 Aldershot, Hampshire. GU11 3HE  
 Email: mike@soemtron.org  
 www.soemtron.org

Pcb Dwg # =

Name	Date
Drawn MD Hatch	20/2/2008
Checked -	-

Scale	Nts
Sheet 14	14
Next Sheet	15
Drawing Number	Soemtron 220

Title	Issue
Soemtron ETR 220 Calculator Control Gating Board 6 Sheet 2	A2

These diagrams are referenced to 0V - Logical 1 = -12v, logical 0 = 0V