

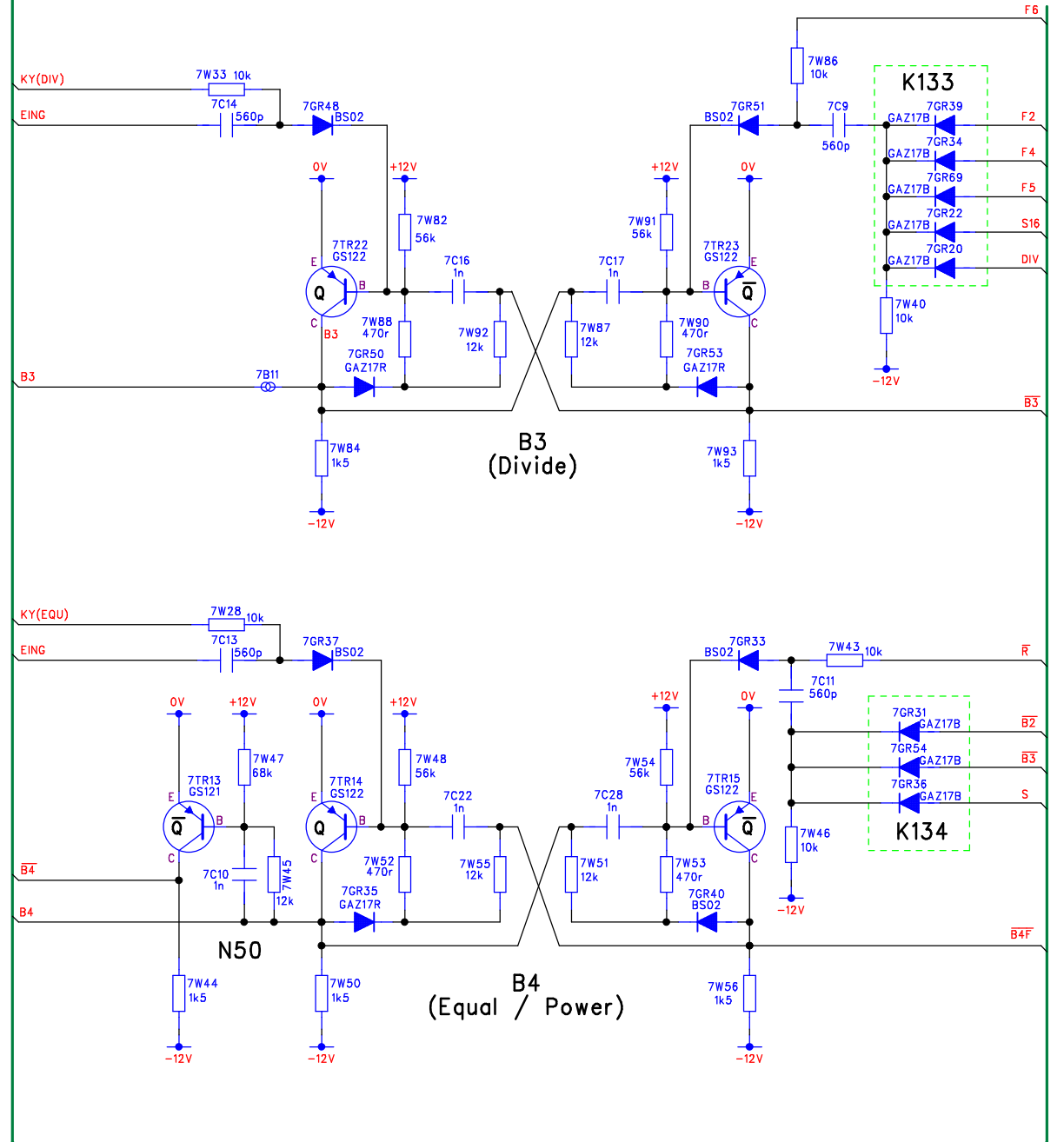
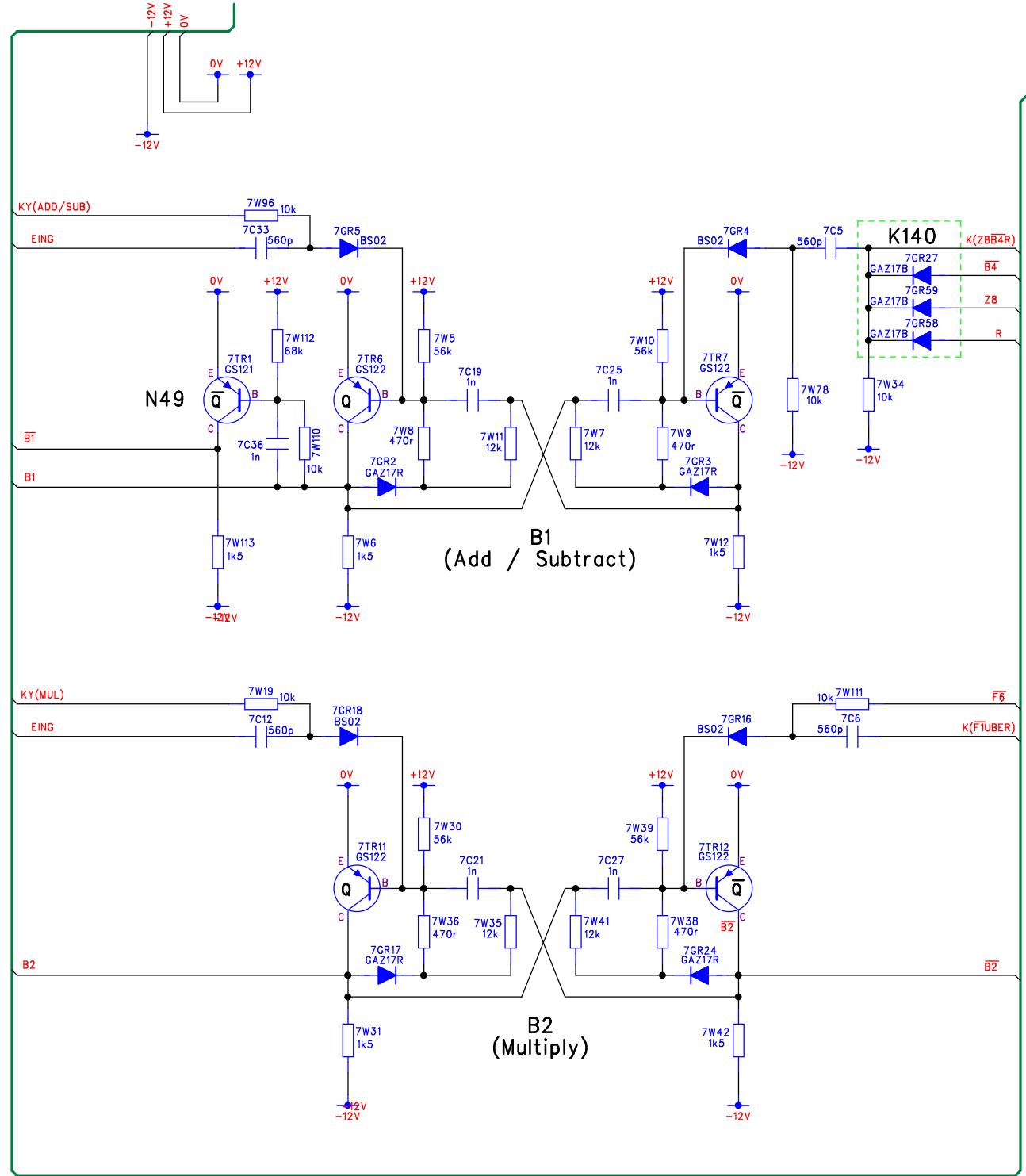
These diagrams are referenced to 0V - Logical 1 = -12v, logical 0 = 0V



DM Associates
 33, Northbrook Road
 Aldershot, Hampshire. GU11 3HE
 Email: mike@soemtron.org
 www.soemtron.org

Pcb Dwg # =		Scale	Nts	Title	
Drawn	Name	Date	Sheet	Soemtron ETR 200 Calculator	
Checked	MD Hatch	14/2/2008	Next Sheet	Function Latches B1-4, VOR, R	
Drawing Number			Soemtron 220		
A2 Issue			A		

RevNo	Revision note	Date	By	Checked
-	-	-	-	-



These diagrams are referenced to 0V - Logical 1 = -12v, logical 0 = 0V



DM Associates
 33, Northbrook Road
 Aldershot, Hampshire. GU11 3HE
 Email: mike@soemtron.org
 www.soemtron.org

Pcb Dwg # =		Scale	Nts	Title	
Drawn	Name	Sheet	16	Soemtron ETR 220 Calculator	
Checked	Date	Next Sheet	17	Function Latches B1-4, VOR, R	
		Drawing Number		BOARD 7 Sheet 2	
				Soemtron 220	A2 Issue A