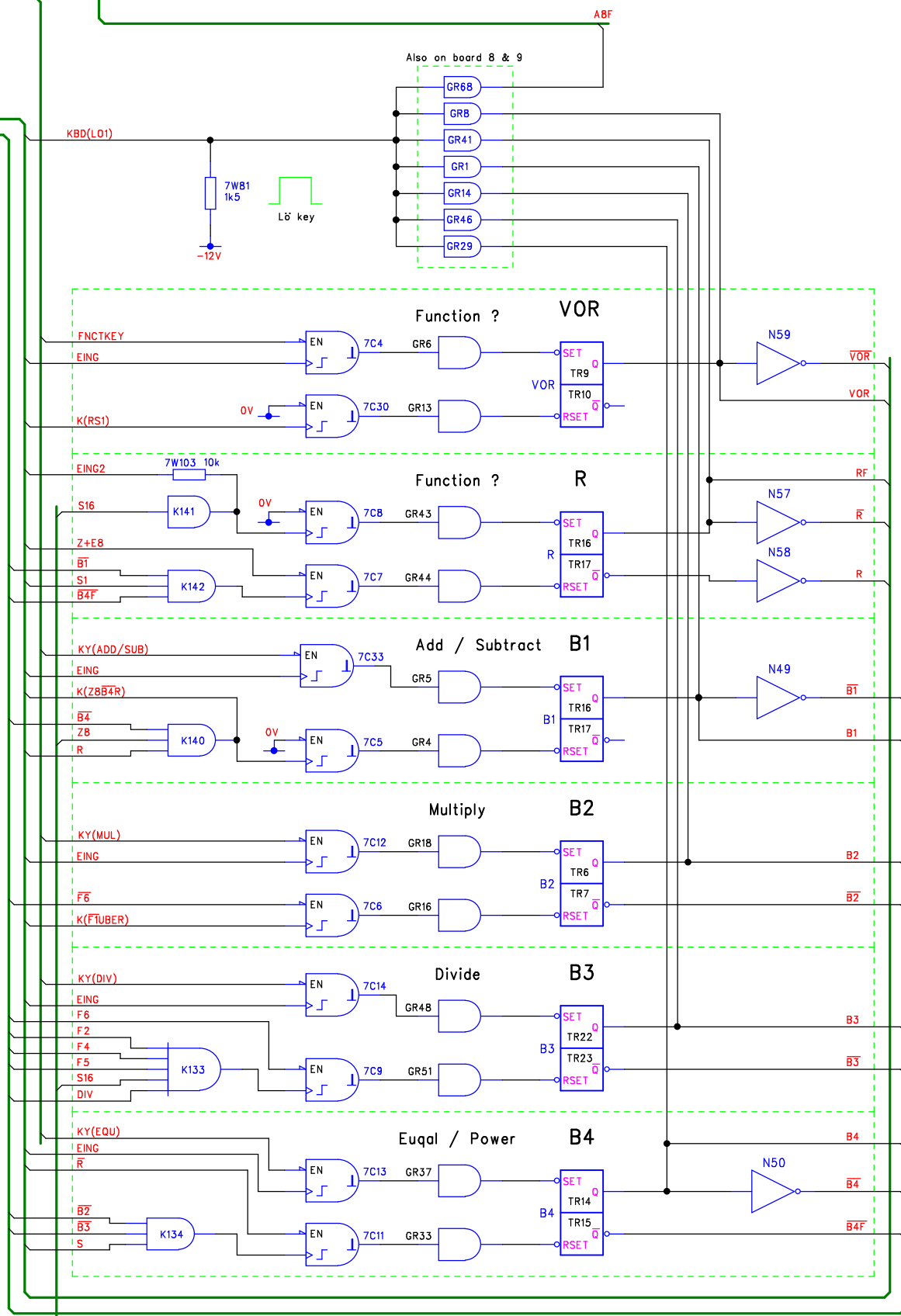
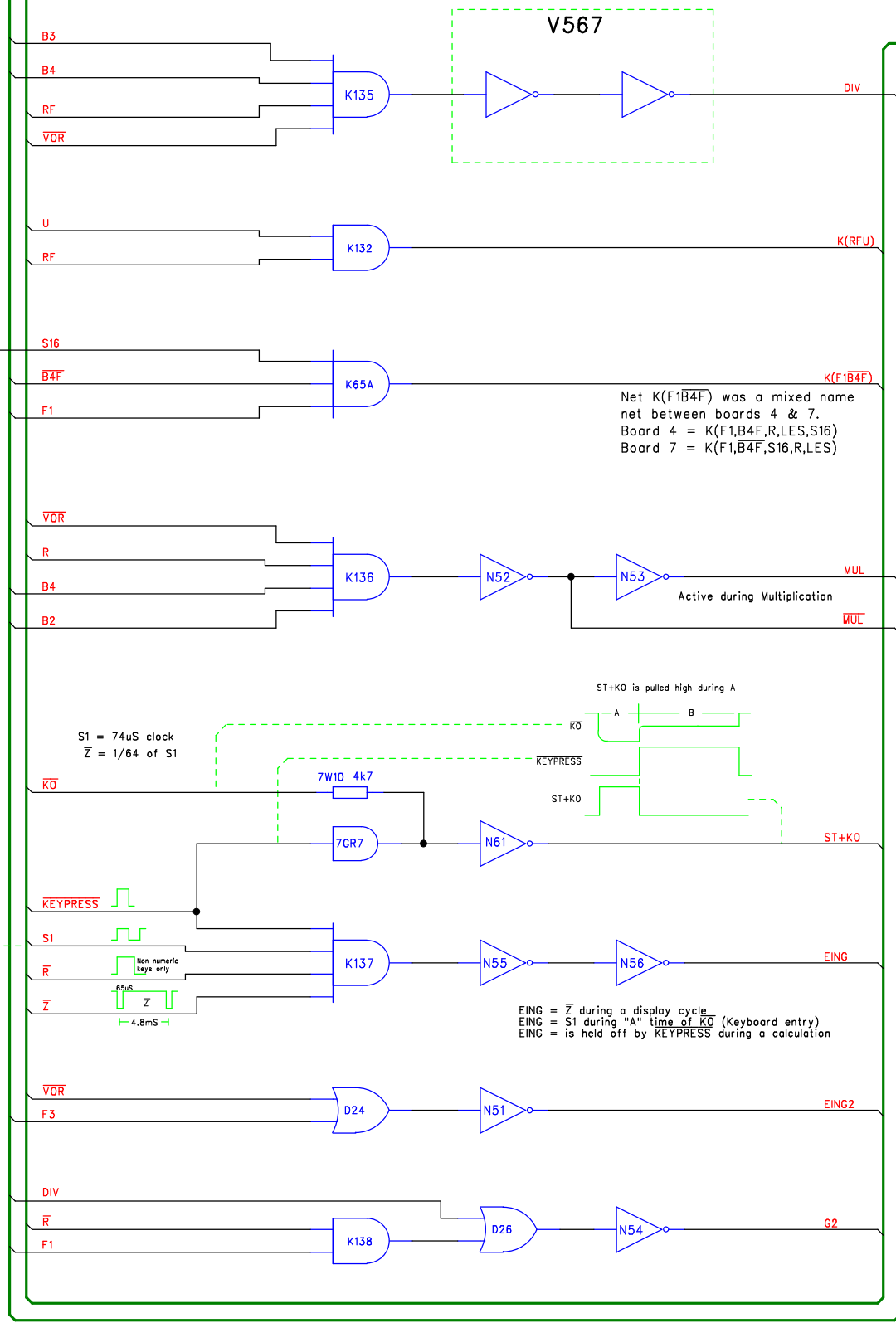


RevNo	Revision note	Date	By	Checked
-	-	-	-	-

A-BUSS [1,3,4,6,8,9]
 ENCODED-FUNCTION [8,9,11]
 CONTROL [1,2,3,4,5,6,8,9,10,11]
 FUNCTIONS [2,3,4,5,6,8,9,10]
 Z-COUNTER [5,6,8,9,10,11]



Negative logic referenced to 0V - Logical 1 = -12v, logical 0 = 0v



DM Associates
 33, Northbrook Road
 Aldershot, Hampshire. GU11 3HE
 Email: mike@soemtron.org
 www.soemtron.org

Pcb Dwg # =		Scale	Nts	Title	
Drawn	Name	Date	Sheet	Soemtron ETR 220 Calculator	
Checked	MD Hatch	15/9/2009	Next Sheet	#7 - FUNCTION-LATCH-B1/2/3/4,VOR,R	
			Drawing Number	Soemtron 220 Logic	
				A2	Issue A