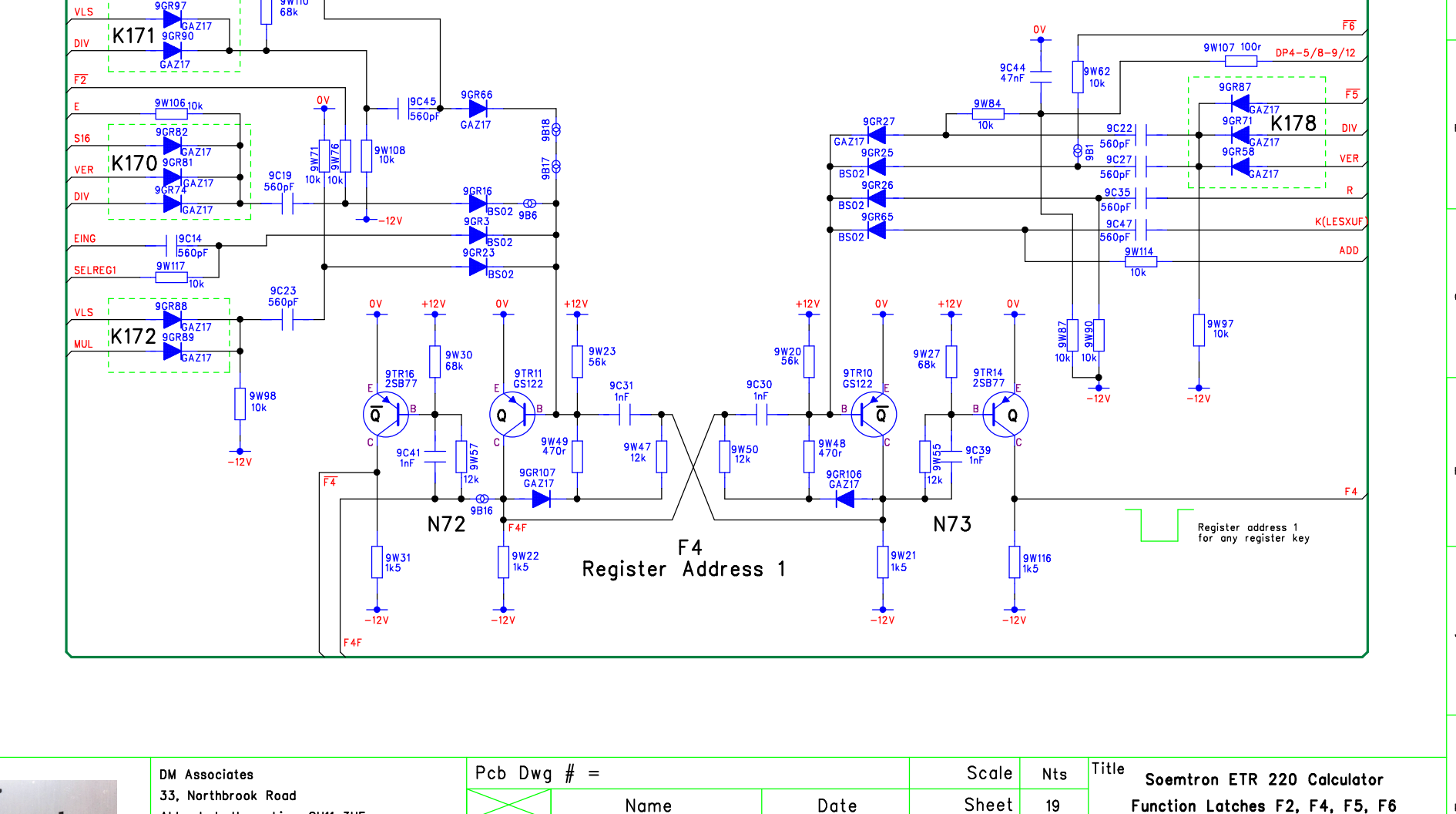
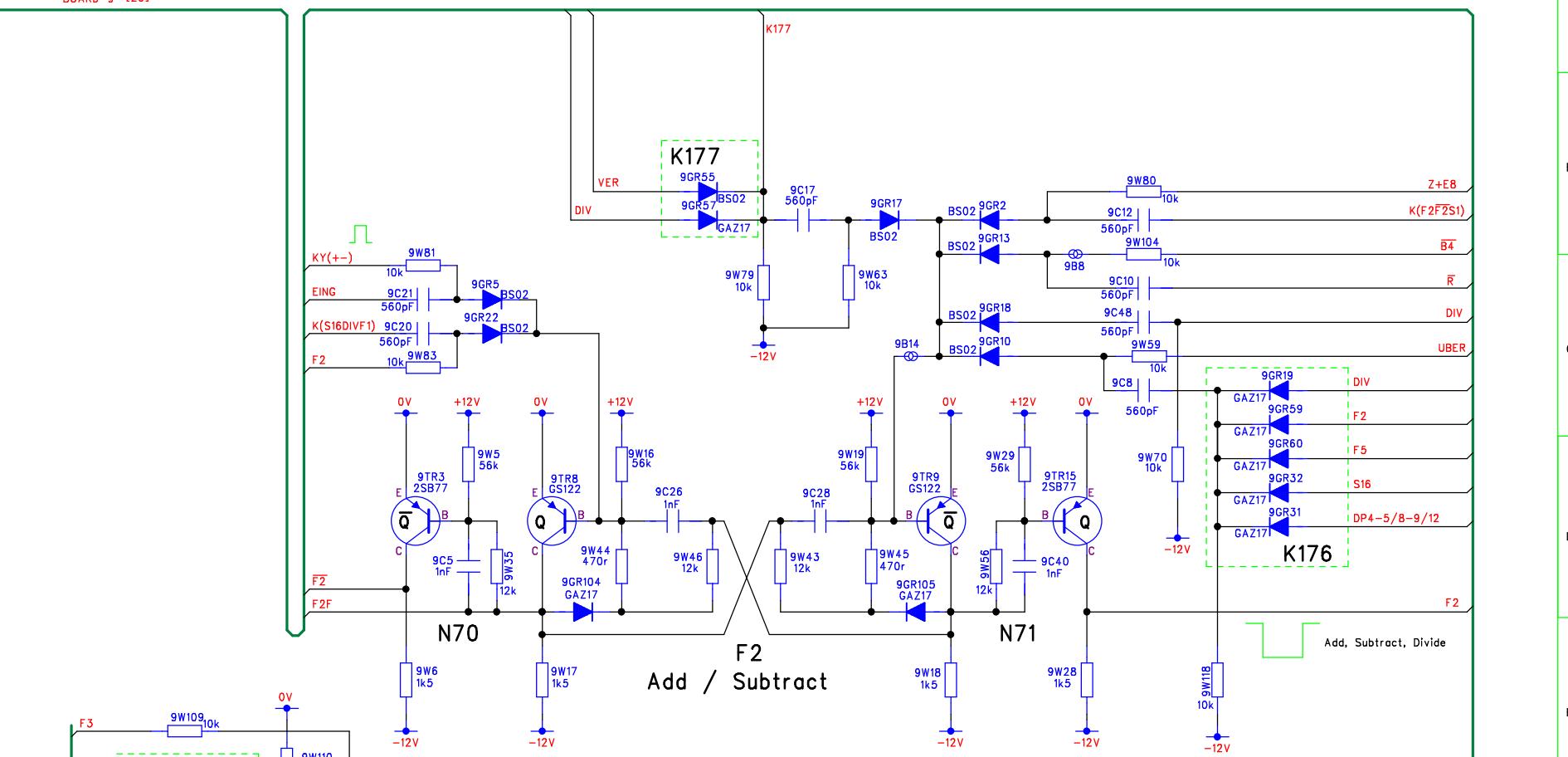
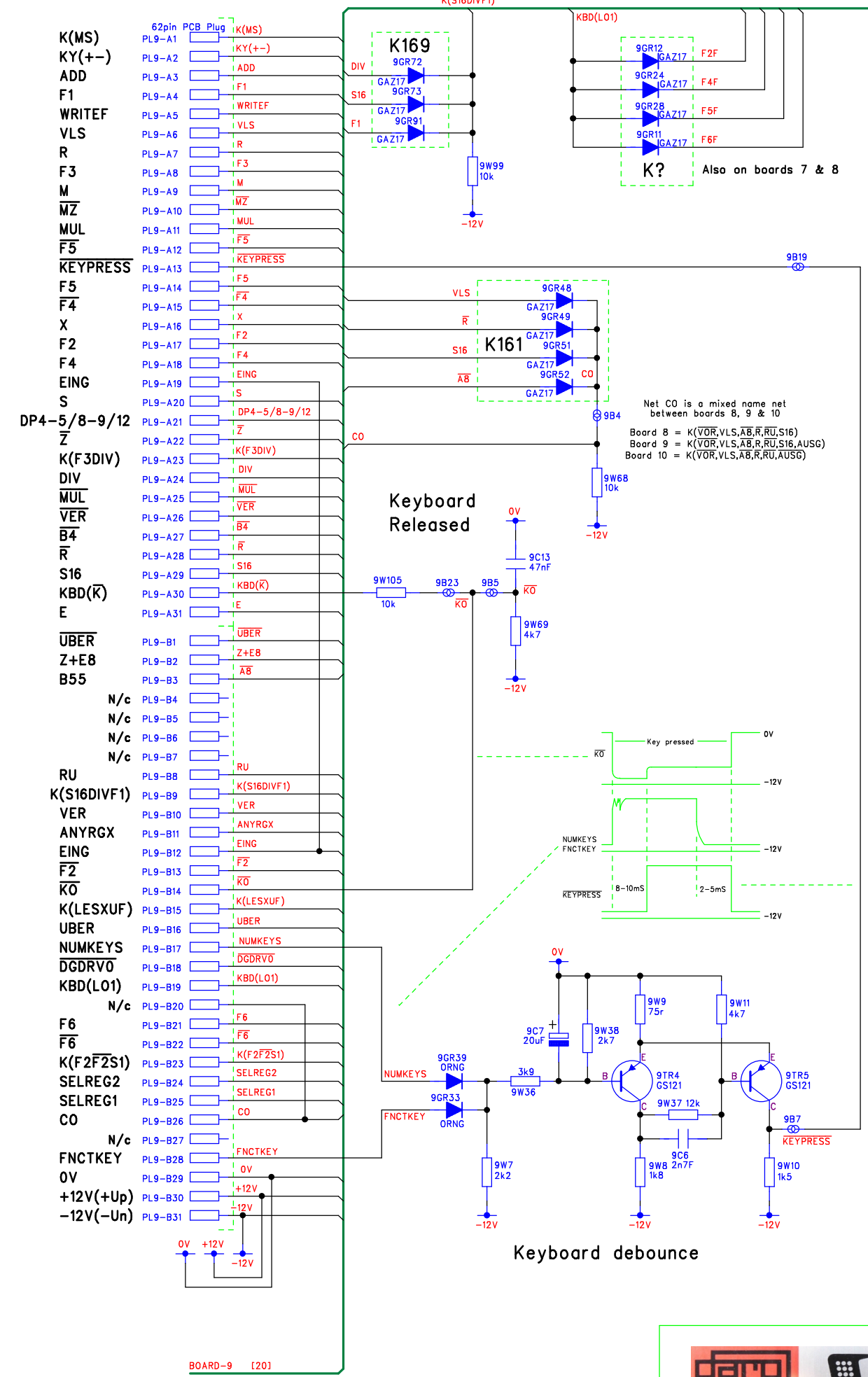
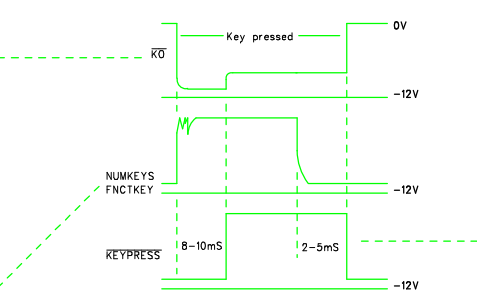


Comp side - 05-220-7009-2 0e
 Solder side - 3041-05-220-7009-2 0h
 Date coded -

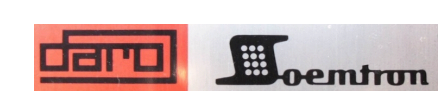
RevNo	Revision note	Date	By	Checked
-	-	-	-	-



Net CO is a mixed name net between boards 8, 9 & 10
 Board 8 = K(VOR,VLS,AB,R,RU,S16)
 Board 9 = K(VOR,VLS,AB,R,RU,S16,AUSG)
 Board 10 = K(VOR,VLS,AB,R,RU,AUSG)



Keyboard debounce



DM Associates
 33, Northbrook Road
 Aldershot, Hampshire. GU11 3HE
 Email: mike@soemtron.org
 www.soemtron.org

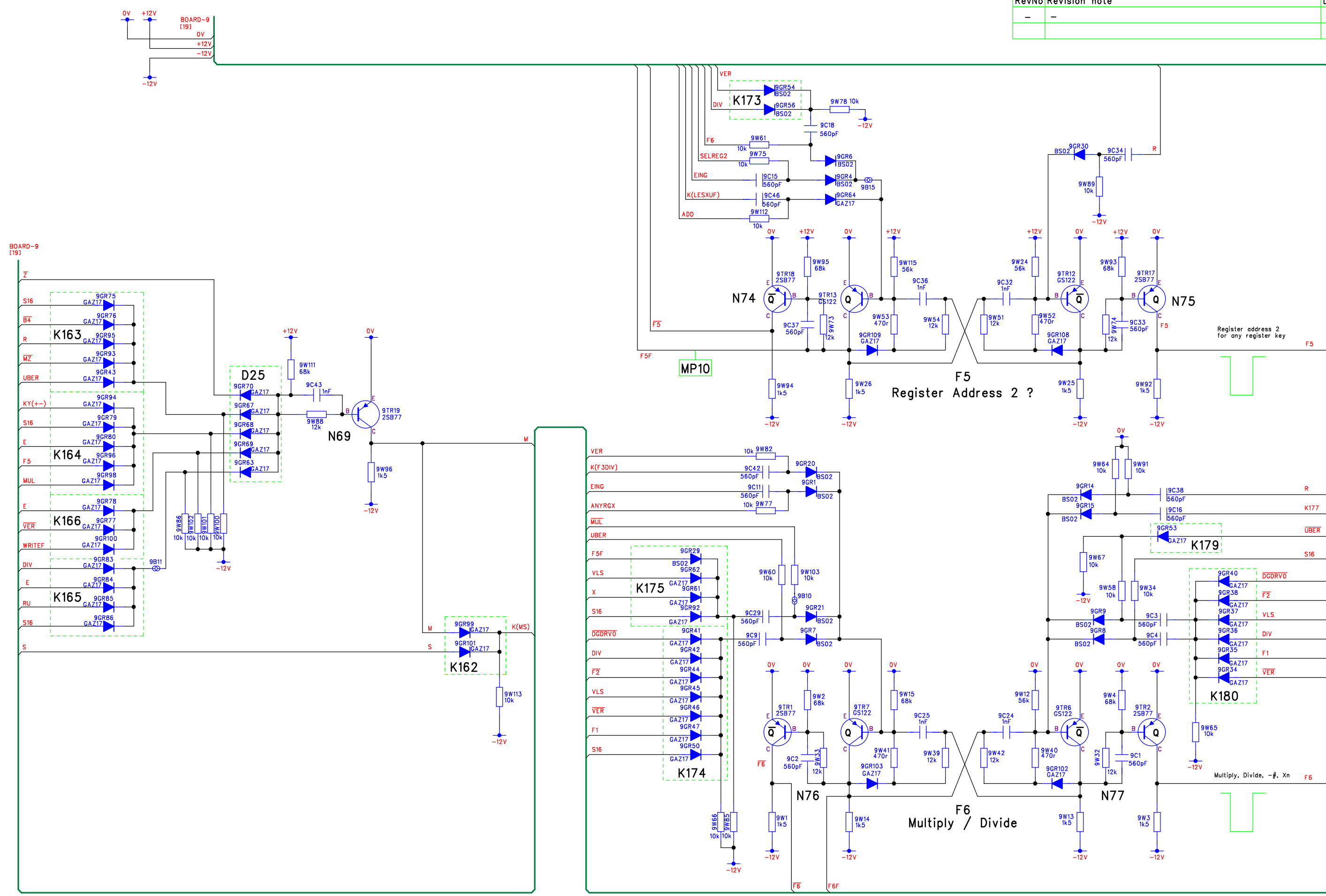
Pcb Dwg # =

Name	Date	Scale	Nts
Drawn MD Hatch	2/1/2008	Sheet 19	20
Checked -	-	Next Sheet	20
Drawing Number		Soemtron 220	

Title Soemtron ETR 220 Calculator
 Function Latches F2, F4, F5, F6
 BOARD 9 Sheet 1
 A2 Issue A

These diagrams are referenced to 0V - Logical 1 = -12v, logical 0 = 0V

RevNo	Revision note	Date	By	Checked
-	-	-	-	-



These diagrams are referenced to 0V - Logical 1 = -12v, logical 0 = 0V



DM Associates
 33, Northbrook Road
 Aldershot, Hampshire. GU11 3HE
 Email: mike@soemtron.org
 www.soemtron.org

Pcb Dwg # =		Scale	Nts	Title	
Drawn	Name	Date	Sheet	Soemtron ETR 20 Calculator	
Checked	MD Hatch	2/1/2008	20	Function Latches F2, F4, F5, F6	
			Next Sheet	BOARD 9 Sheet 2	
			21	Drawing Number	Soemtron 220
				A2 Issue	A

© 2007 Mike Hatch. (www.soemtron.org)