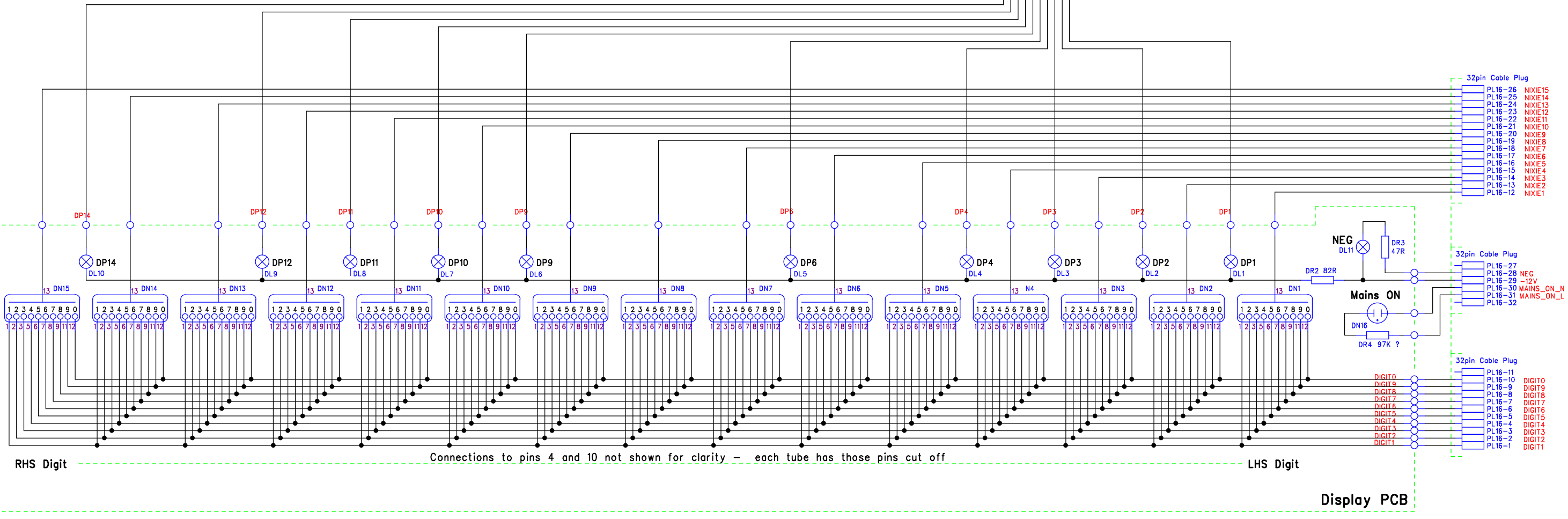
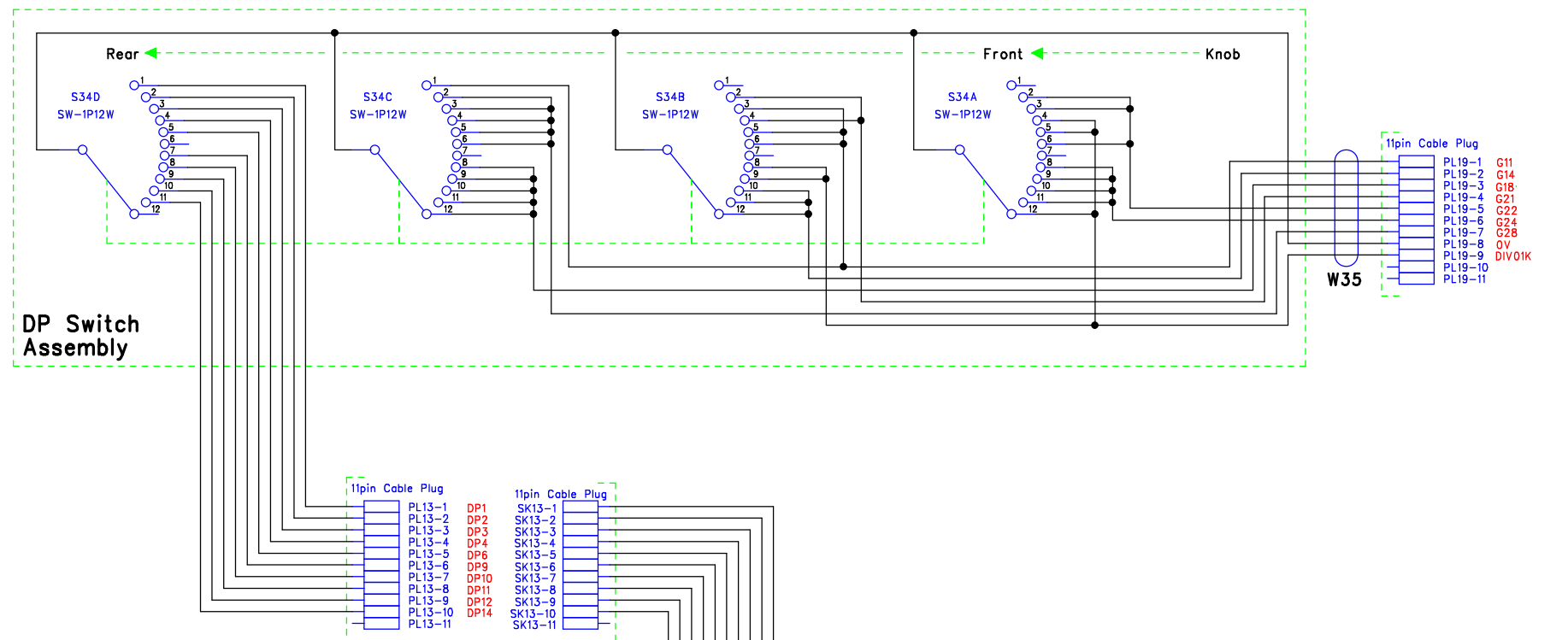


RevNo	Revision note	Date	By	Checked
-	-	-	-	-

Decimal Point Switch Wiring Table

Switch position ->	1	2	3	4	5	6	7	8	9	10	11	12
Pin	Function	0	1	2	3	4	6	Z	9	10	11	12
PL4/1	2	X	X	X	X	X	X	X	X	X	X	X
PL4/2	3											
PL4/3	4			X	X	X	X	X	X	X	X	X
PL4/4	5				X	X	X	X	X	X	X	X
PL4/5	6					X	X	X	X	X	X	X
PL4/6	8							X	X	X	X	X
PL4/7	9								X	X	X	X
PL4/8	10									X	X	X
PL4/9	11										X	X
PL4/10	12											X
PL3/1	1/3/5-6	X	X	X	X	X	X	X	X	X	X	X
PL3/2	10-12								X	X	X	X
PL3/3	8-12								X	X	X	X
PL3/4	2/4		X	X	X	X	X	X	X	X	X	X
PL3/5	2-3/6		X	X	X	X	X	X	X	X	X	X
PL3/6	8-11		X	X	X	X	X	X	X	X	X	X
PL3/7	2-6		X	X	X	X	X	X	X	X	X	X
PL3/8	4-5/8-9/12		X	X	X	X	X	X	X	X	X	X



Connections to pins 4 and 10 not shown for clarity - each tube has those pins cut off



DM Associates
33, Northbrook Road
Aldershot, Hampshire. GU11 3HE
Email: mike@soemtron.org
www.soemtron.org

Pcb Dwg # =

Name	Date
MD Hatch	9/8/2007

Scale	Nts
Sheet 2	3
Next Sheet	
Drawing Number	

Title	Issue
Soemtron ETR 220 Calculator DP Selection and Nixi Display	A

These diagrams are referenced to 0V - Logical 1 = -12v, logical 0 = 0V