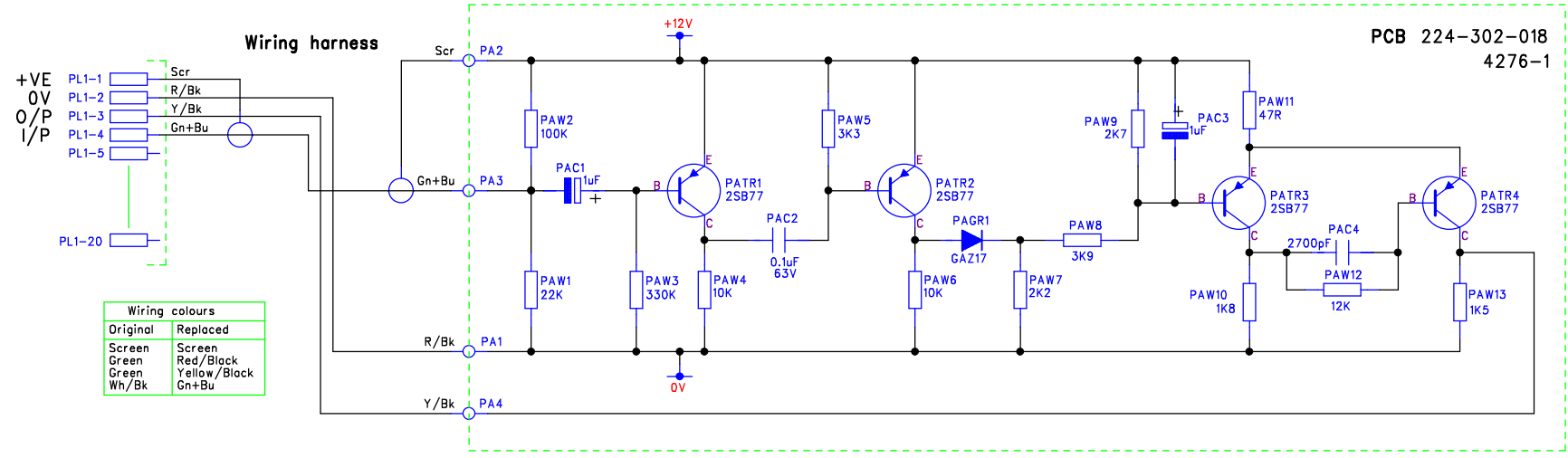


| RevNo | Revision note | Date | By | Checked |
|-------|---------------|------|----|---------|
| -     | -             | -    | -  | -       |



DM Associates  
 33, Northbrook Road  
 Aldershot, Hampshire. GU11 3HE  
 Email: mike@soemtron.org  
[www.soemtron.org](http://www.soemtron.org)

Pcb Dwg # =

| Name           | Date      |
|----------------|-----------|
| Drawn MD Hatch | 10/1/2010 |
| Checked -      | -         |

| Scale          | Nts |
|----------------|-----|
| Sheet 1        | 1   |
| Next Sheet     | 2   |
| Drawing Number |     |

| Title  |            |
|--|------------|
| Soemtron ETR 224 Calculator<br>Printer Photo Sensor Amplifier<br>Circuit |            |
| Extender Circuit   | A2 Issue A |

© 2010 Mike Hatch. (www.soemtron.org)