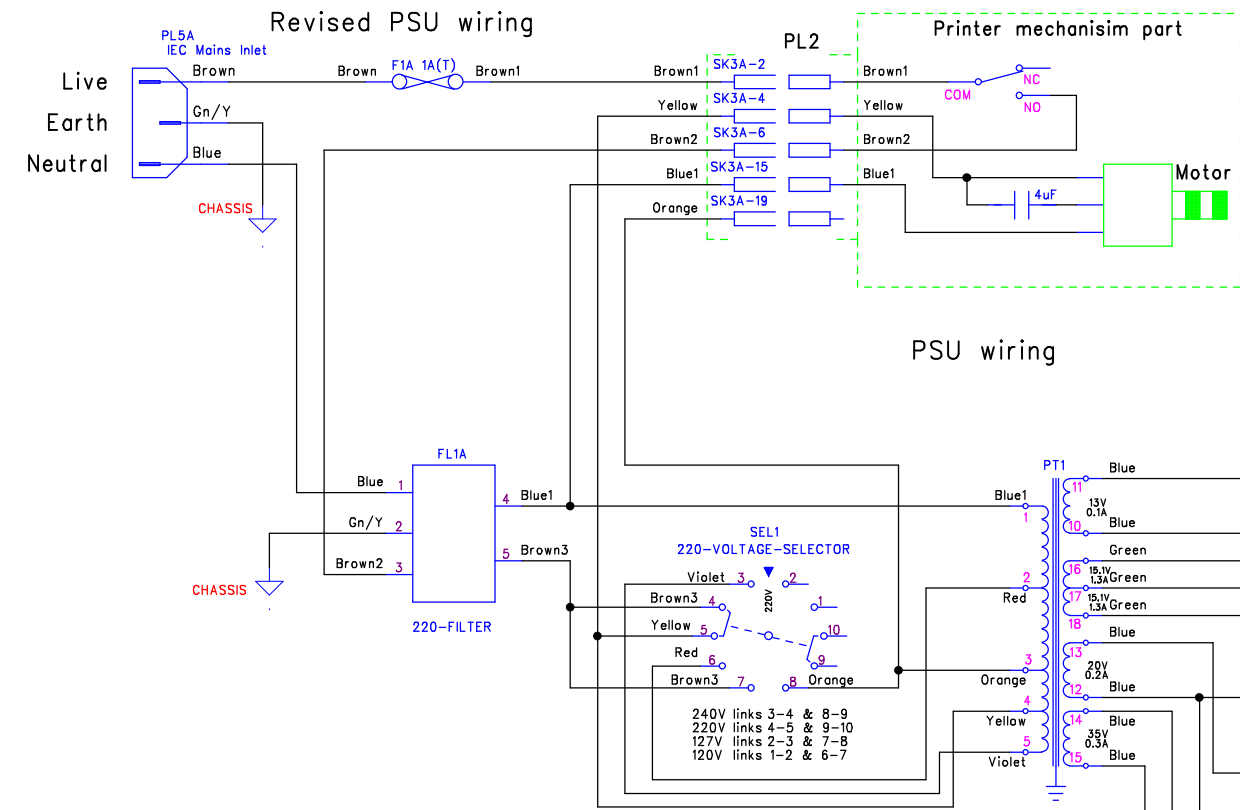
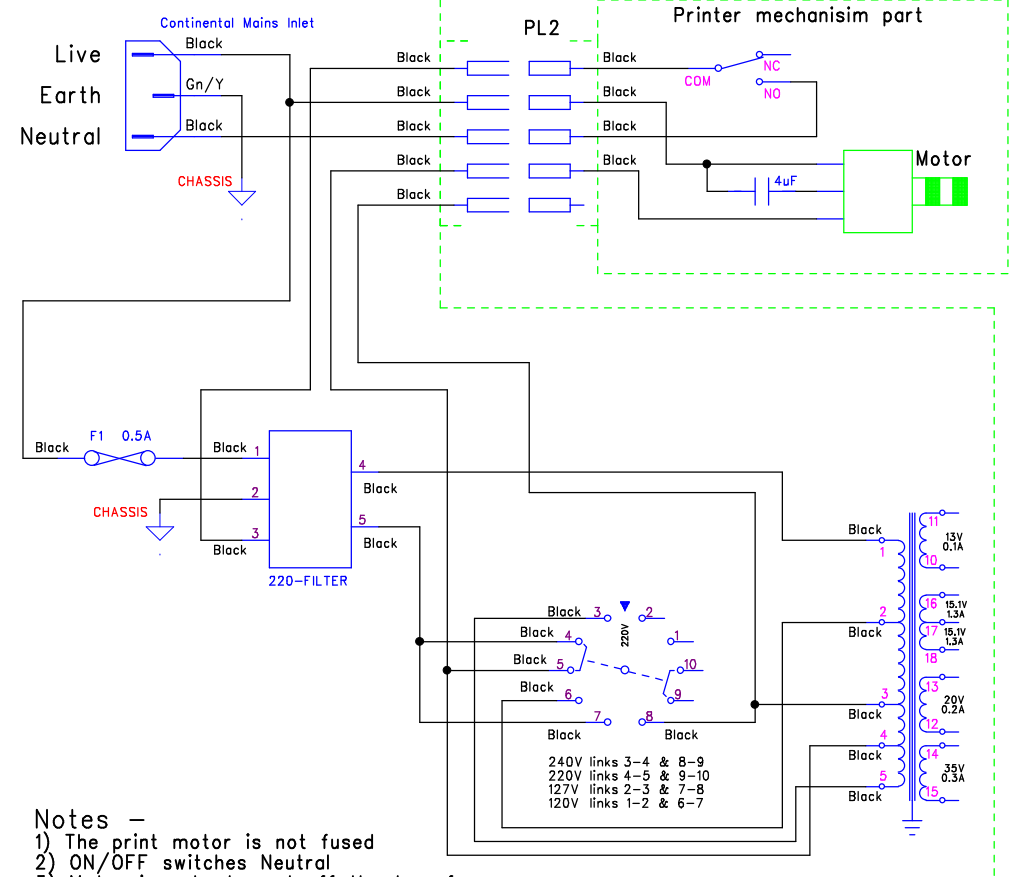


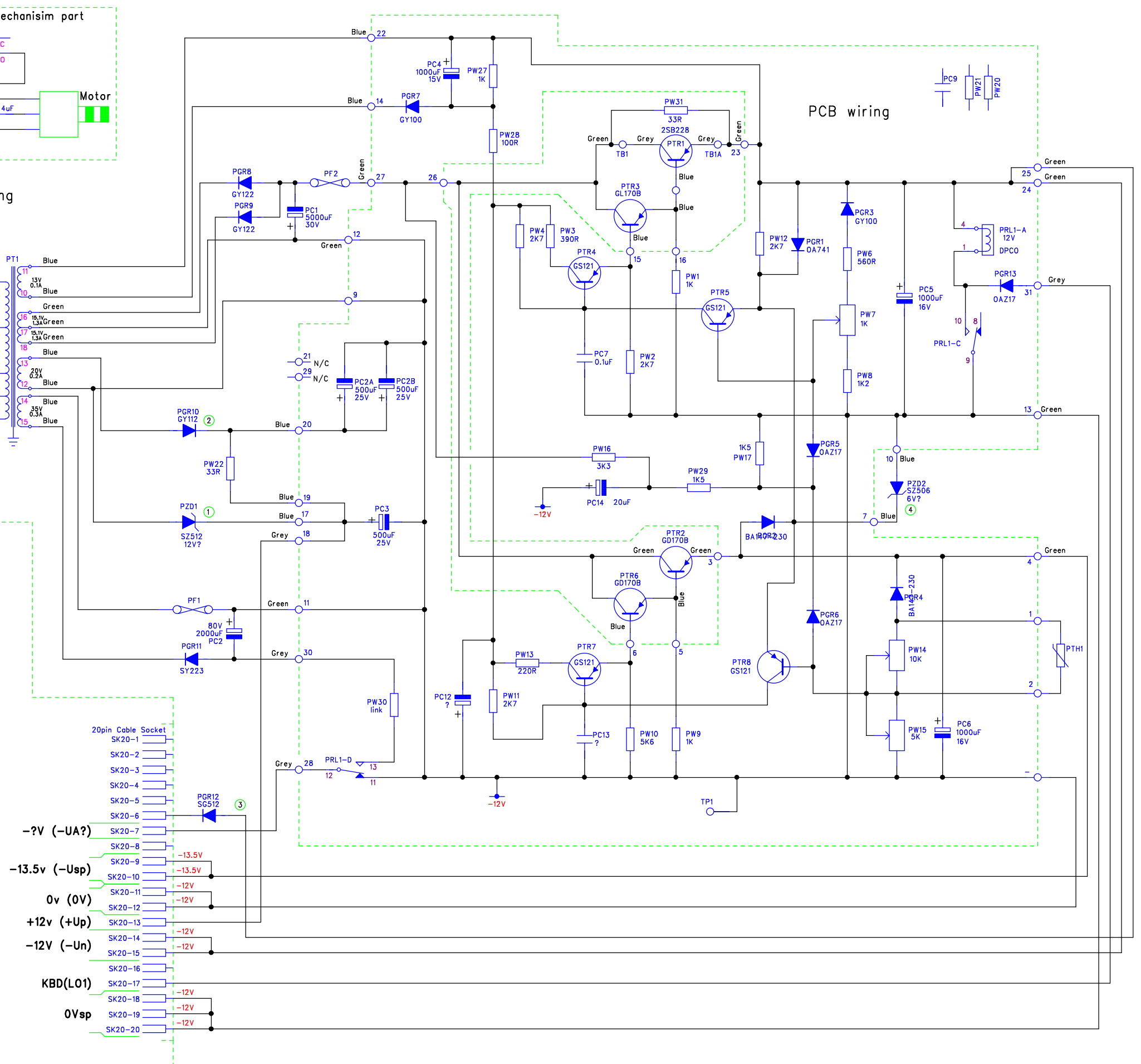
RevNo	Revision note	Date	By	Checked
-	-	-	-	-



Notes -
1) Everything fused
2) ON/OFF switches Live
3) Wiring colour coded
4) Motor is auto tapped off the transformer



Notes -
1) The print motor is not fused
2) ON/OFF switches Neutral
3) Motor is auto tapped off the transformer



DM Associates
33, Northbrook Road
Aldershot, Hampshire. GU11 3HE
Email: mike@soemtron.org
www.soemtron.org

Pcb Dwg # =		Scale	Nts	Title	
Drawn	Name	Sheet	7	Soemtron ETR 224 Calculator	
Checked	Date	Next Sheet	8	Power Supply Wiring	
		Drawing Number		Circuit Diagram	
				Soemtron 224	A2 Issue A