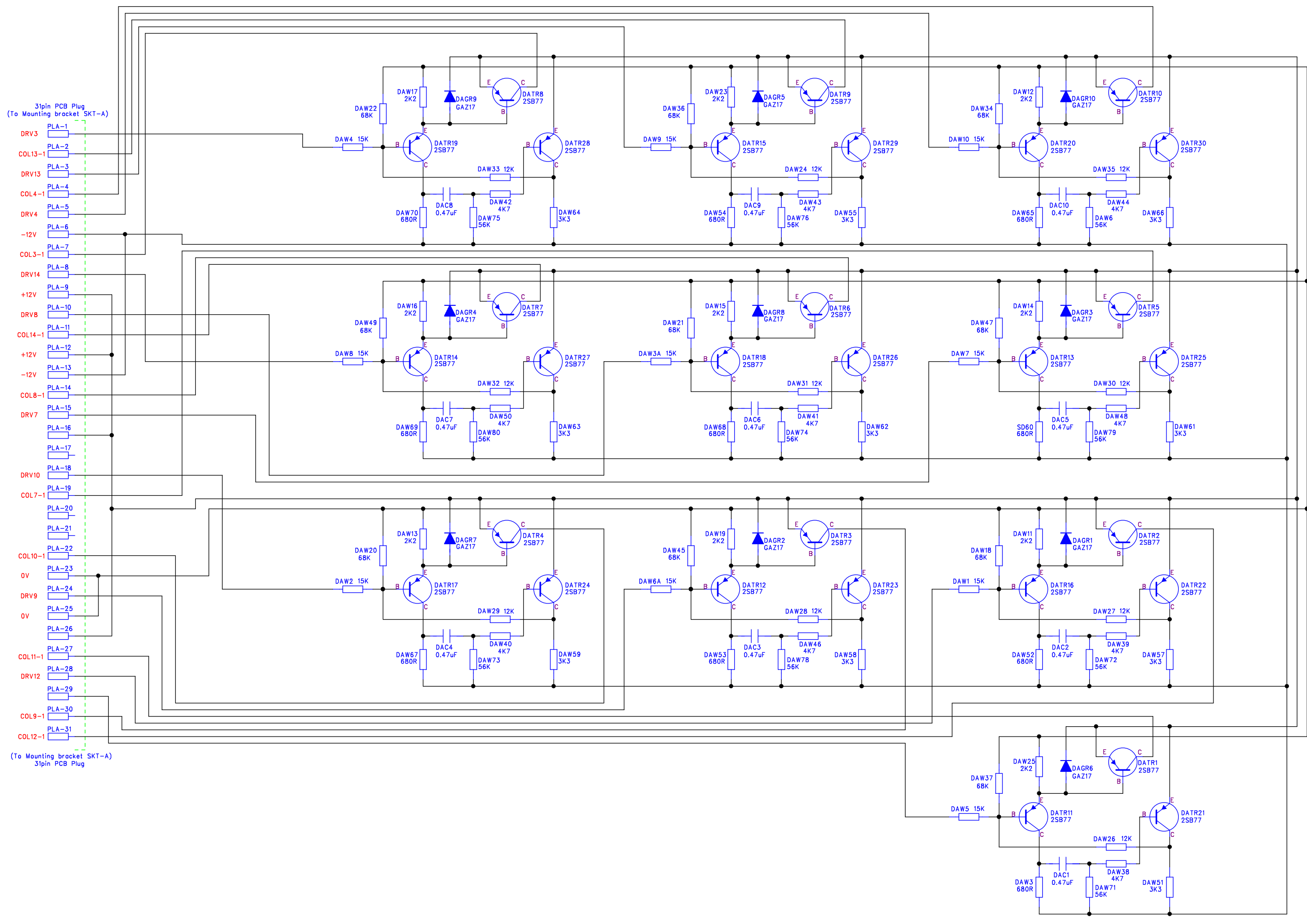


RevNo	Revision note	Date	By	Checked
-	-	-	-	-



31pin PCB Plug  
(To Mounting bracket SKT-A)

(To Mounting bracket SKT-A)  
31pin PCB Plug



DM Associates  
33, Northbrook Road  
Aldershot, Hampshire. GU11 3HE  
Email: mike@soemtron.org  
[www.soemtron.org](http://www.soemtron.org)

Pcb Dwg # =		Scale	Nts	Title	
Drawn	Name	Date	Sheet	Soemtron ETR 224 Calculator	
Checked	MD Hatch	22/1/2010	Next Sheet	Solenoid Driver Boards	
			Drawing Number	Circuit Diagram Board A	
				Soemtron 224	A2 Issue A

Notes:

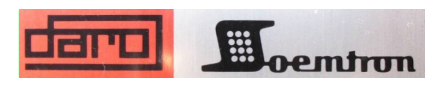
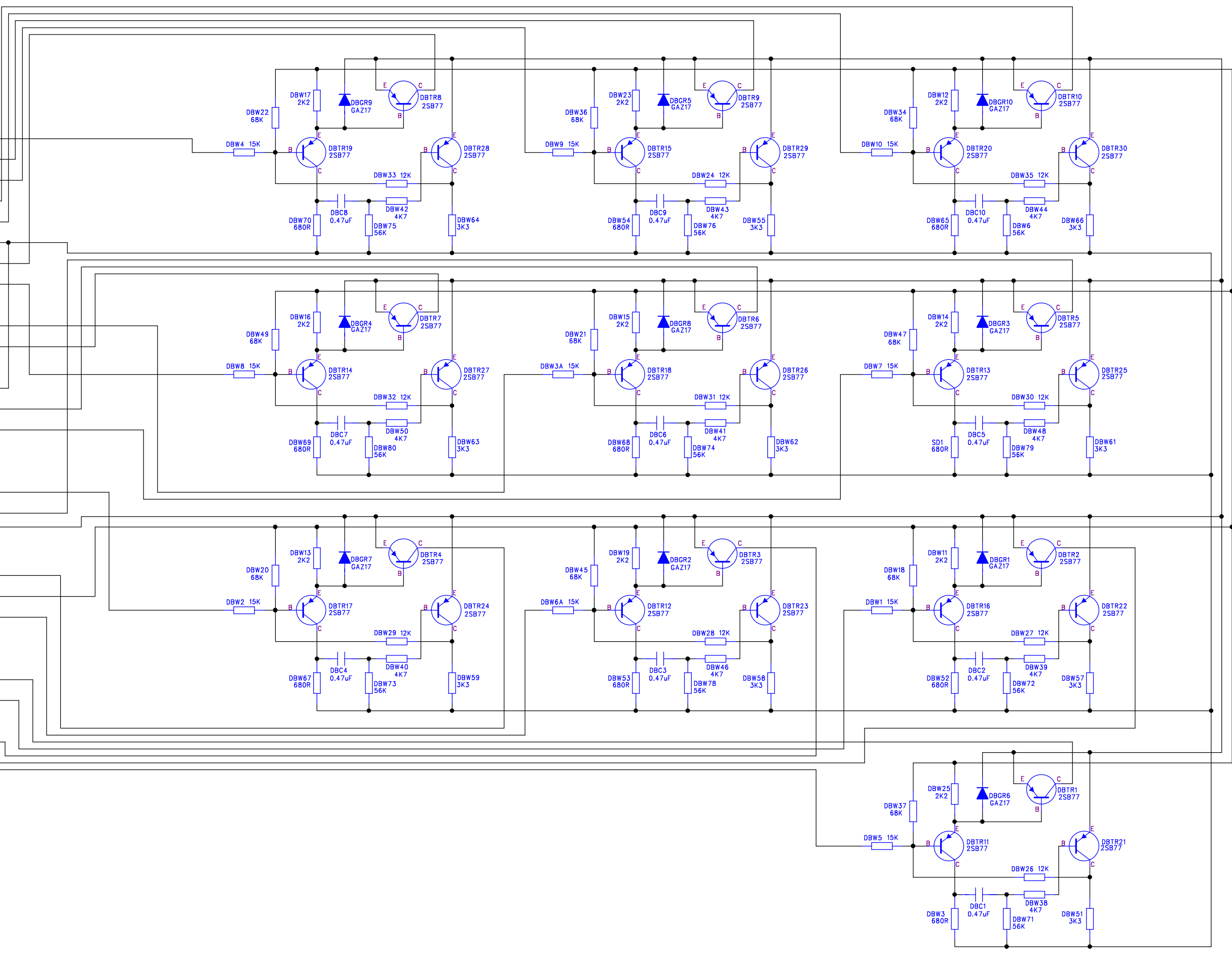
© 2010 Mike Hatch. (www.soemtron.org)

RevNo	Revision note	Date	By	Checked
-	-	-	-	-

31pin PCB Plug  
(To Mounting bracket SKT-B)

- DRV5 PLB-1
- COL15-1 PLB-2
- DRV15 PLB-3
- COL6-1 PLB-4
- DRV6 PLB-5
- 12V PLB-6
- COL5-1 PLB-7
- DRV16 PLB-8
- +12V PLB-9
- DRV2 PLB-10
- COL16-1 PLB-11
- +12V PLB-12
- 12V PLB-13
- COL2-1 PLB-14
- DRV1 PLB-15
- PLB-16
- PLB-17
- DRV17 PLB-18
- COL1-1 PLB-19
- PLB-20
- PLB-21
- COL17-1 PLB-22
- 0V PLB-23
- DRV18 PLB-24
- 0V PLB-25
- PLB-26
- RB-1 PLB-27
- DRV-DBL PLB-28
- DRV-RB PLB-29
- COL18-1 PLB-30
- DBL-1 PLB-31

(To Mounting bracket SKT-B)  
31pin PCB Plug



DM Associates  
33, Northbrook Road  
Aldershot, Hampshire. GU11 3HE  
Email: mike@soemtron.org  
**www.soemtron.org**

Pcb Dwg # =

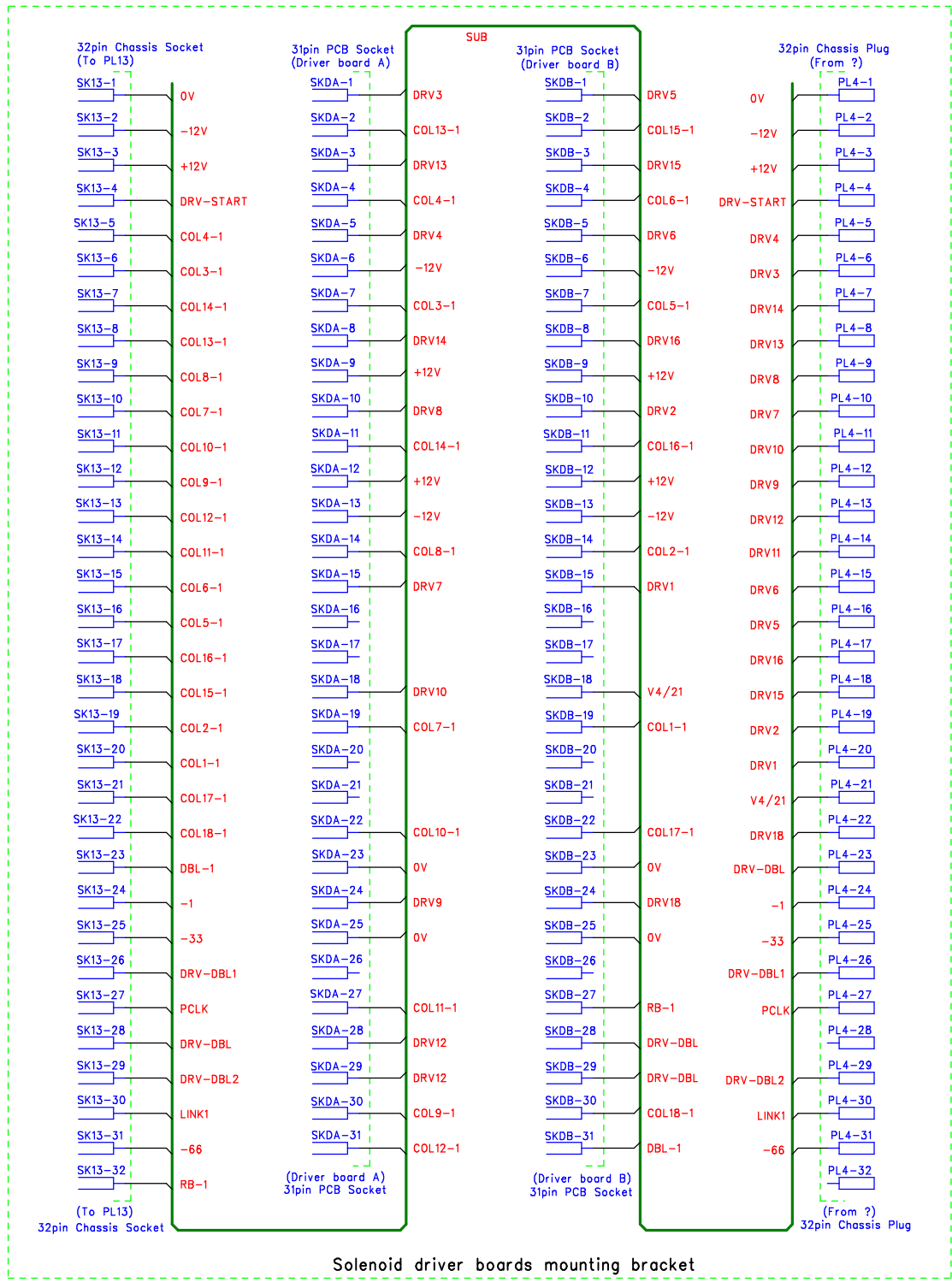
	Name	Date
Drawn	MD Hatch	22/1/2010
Checked	-	-

Scale	Nts
Sheet	2
Next Sheet	3
Drawing Number	Soemtron 220

Title	Date	By	Checked
Soemtron ETR 224 Calculator Solenoid Driver Boards Circuit Diagram Board B	-	-	-
A2 Issue	A		

Notes:

RevNo	Revision note	Date	By	Checked
-	-	-	-	-



Notes:



DM Associates  
 33, Northbrook Road  
 Aldershot, Hampshire. GU11 3HE  
 Email: mike@soemtron.org  
[www.soemtron.org](http://www.soemtron.org)

Pcb Dwg # =	
Drawn	MD Hatch
Checked	-

Scale	Nts
Sheet	3
Next Sheet	4
Drawing Number	Soemtron 220

Title	Soemtron ETR 224 Calculator Solenoid Driver Bracket Wiring Circuit Diagram
A2 Issue	A