

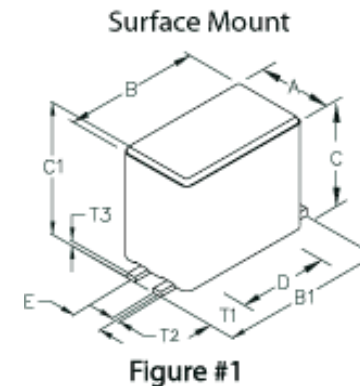
## CM Chokes - Ultra High Current Power Filtering

Steward's ultra high current CM chokes provide small form factor, high performance, and economical power filtering for common mode noise in applications up to 55 amps. Multi-line, surface mount filters provide EMI suppression for groups of conductors like power traces and high-speed data lines. Effective filtering into the GHz range

### STEWARD PART NUMBERING SYSTEM

<b>CM</b>	<b>2545</b>	<b>X</b>	<b>111</b>	<b>B</b>	<b>- 00</b>
PRODUCT SERIES CODE	PART SIZE CODE	RATED CURRENT CODE	IMPEDANCE VALUE CODE	PACKAGING CODE	ADDITIONAL DESCRIPTION

Ambient Operating Temperature Range: -55°C to +125°C



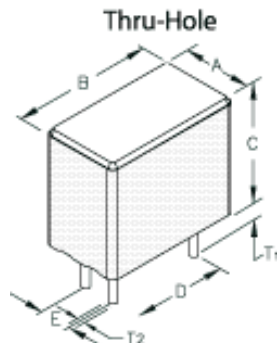


Figure #2

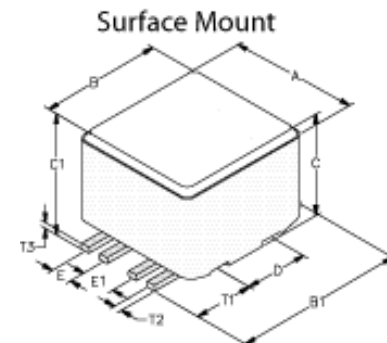


Figure #3

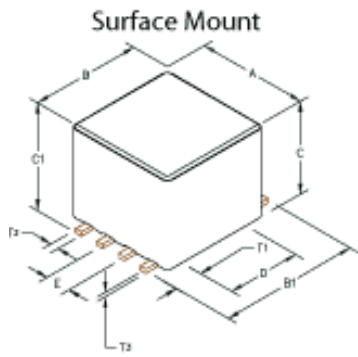


Figure #4

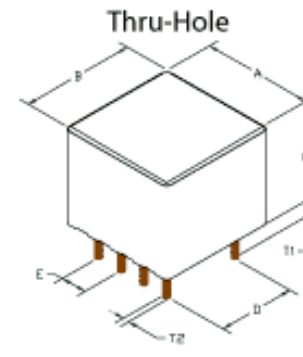


Figure #5

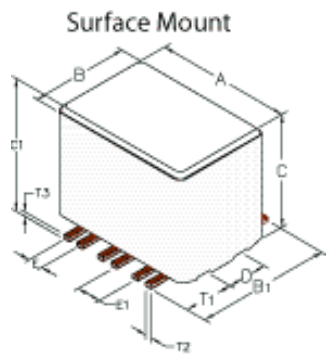


Figure #6

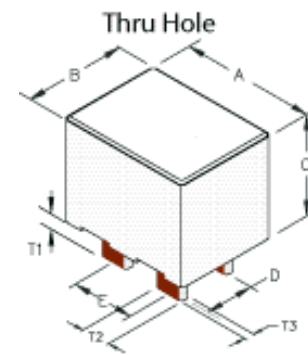


Figure #7

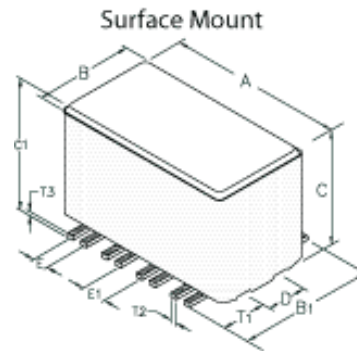


Figure #8

**View Chart Data In:**

Millimeters Only	Inches Only	Both (Millimeters and Inches)
------------------	-------------	-------------------------------

**SORT:** Click on the (ascending) or (descending) in any chart heading to sort entire chart by data in that selected column.

**IMPEDANCE CURVES:** Click on the Part Number links below to view impedance curves.

**COMPARE:** For side-by-side comparison of data for a limited selection of parts, click on boxes under the "Compare" heading. Then click the "Compare Selected Parts" button at the bottom of this chart.

Part Number	Compare Selected Parts	Figure Number	NET Z @ 100 MHz	DCR Max	Rated Current mA	A mm	B mm	B1 mm	C mm	C1 mm	D mm	E mm	E1 mm	T1 mm	T2 mm	T3 mm
<a href="#">CM2545X171B-00</a>	<input type="checkbox"/>	2	170	0.01	10000	6.30	11.38	-	9.32	-	7.62	2.54	-	3.43	0.64	-
<a href="#">CM2545X171R-00</a>	<input type="checkbox"/>	1	170	0.01	10000	6.30	11.38	14.10	9.32	10.16	7.62	2.54	-	2.90	0.84	0.46
<a href="#">CM3032V201R-00</a>	<input type="checkbox"/>	3	200	0.01	8000	7.62	8.13	10.92	9.45	10.08	4.06	1.27	2.03	3.30	0.64	0.38
<a href="#">CM3032V301R-00</a>	<input type="checkbox"/>	3	300	0.01	8000	7.62	8.13	10.92	14.48	15.11	4.06	1.27	2.03	3.30	0.64	0.38

<a href="#">CM3440Z171B-00</a>		2	170	0.001	20000	8.51	10.03	-	9.32	12.90	4.06	2.54	-	3.12	0.76	0.76
<a href="#">CM3440Z171R-00</a>		1	170	0.001	20000	8.51	10.03	11.05	9.32	10.49	4.06	2.54	-	3.56	0.76	0.76
<a href="#">CM4545Z131B-00</a>		5	130	0.01	10000	11.38	11.38	-	9.32	-	7.62	2.54	-	3.43	0.64	-
<a href="#">CM4545Z131R-00</a>		4	130	0.01	10000	11.38	11.38	14.10	9.32	10.16	7.62	2.54	-	2.90	0.84	0.46
<a href="#">CM4732V201R-00</a>		6	200	0.01	8000	11.94	8.13	10.92	9.45	10.08	4.06	1.27	2.03	3.30	0.64	0.38
<a href="#">CM4732V301R-00</a>		6	300	0.01	8000	11.94	8.13	10.92	14.48	15.11	4.06	1.27	2.03	3.30	0.64	0.38
<a href="#">CM5441Z101B-00</a>		7	100	0.0003	75000	13.72	10.41	-	10.52	-	5.28	6.35	-	3.05	3.07	0.97
<a href="#">CM5441Z161B-00</a>		7	160	0.0003	75000	13.72	10.41	-	15.24	-	5.28	6.35	-	3.05	3.07	0.97
<a href="#">CM5740Z171B-00</a>		5	170	0.001	20000	14.48	10.03	-	9.32	12.90	4.06	2.54	3.43	3.12	0.76	0.76
<a href="#">CM5740Z171R-00</a>		3	170	0.001	20000	14.48	10.03	11.05	9.32	10.49	4.06	2.54	3.43	3.56	0.76	0.76
<a href="#">CM6032V201R-00</a>		8	200	0.01	8000	15.24	8.13	10.92	9.45	10.08	4.06	1.27	2.03	3.30	0.64	0.38
<a href="#">CM6032V301R-00</a>		8	300	0.01	8000	15.24	8.13	10.92	14.48	15.11	4.06	1.27	2.03	3.30	0.64	0.38

Custom Parts are also available

[Request PDF's of part prints](#)

<b>Land Pattern</b>	<b>Soldering Conditions</b>	<b>Equivalent Circuit</b>
-------------------------	---------------------------------	-------------------------------



### CM3032 Series

LAND PATTERNS FOR REFLOW SOLDERING

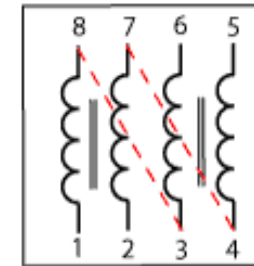
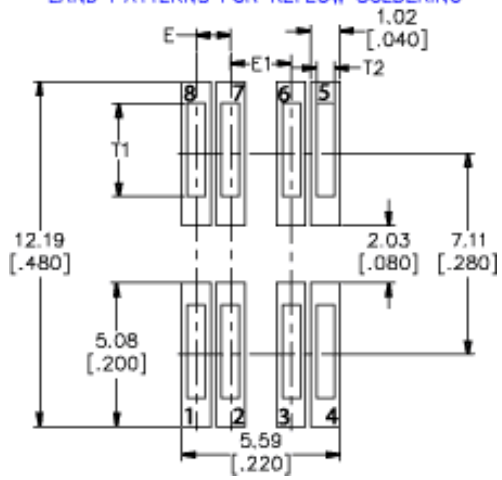


Figure #3 - 2 Turn Series

### CM3440-B Series

HOLE PATTERN FOR WAVE SOLDERING

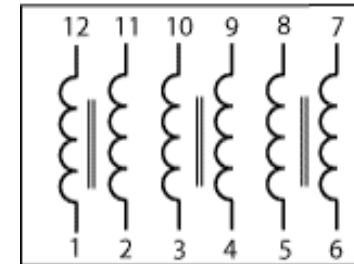
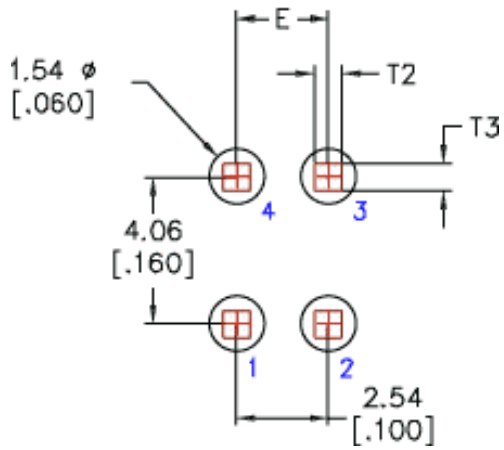


Figure #4

# CM3440-R Series

HOLE PATTERN FOR WAVE SOLDERING

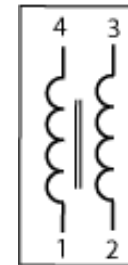
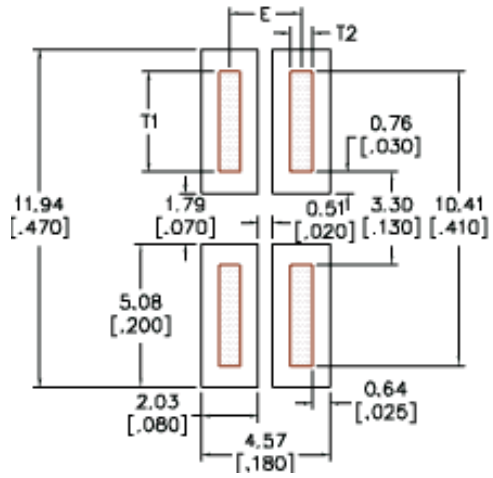


Figure #5

# CM4732 Series

LAND PATTERNS FOR REFLOW SOLDERING

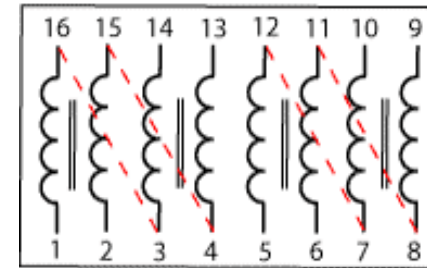
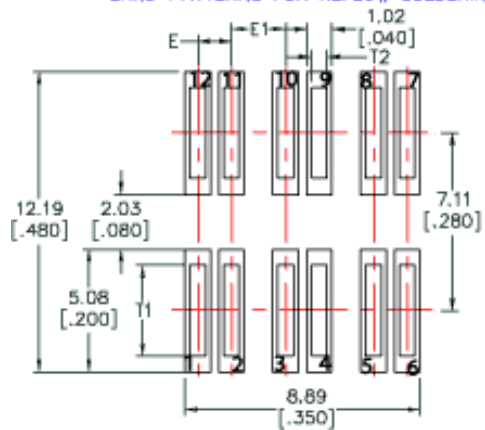
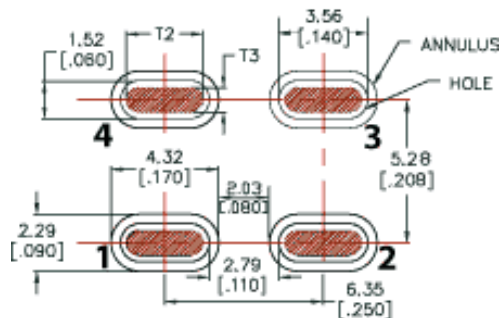


Figure #6 - 2 Turn Series

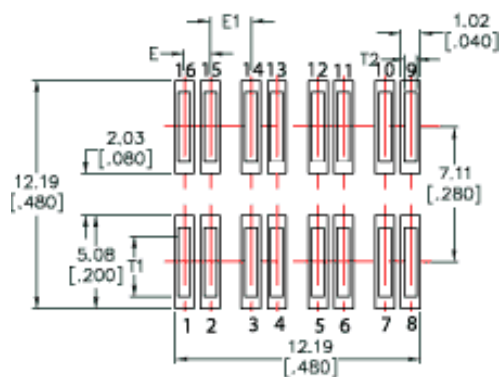
## CM5441 Series

HOLE PATTERN FOR WAVE SOLDERING



## CM6032 Series

LAND PATTERNS FOR REFLOW SOLDERING



Specifications, which provide more details for the correct use of the described products, are available upon request. All specifications are subject to change without notice. For more technical information on any of the products listed above, please contact the Steward USA customer service department at 1 (800) 634-2673 or contact one of the Steward facilities below.

[americas@steward.com](mailto:americas@steward.com)

[mexico@steward.com](mailto:mexico@steward.com)

[europa@steward.com](mailto:europa@steward.com)

[asia@steward.com](mailto:asia@steward.com)

[china@steward.com](mailto:china@steward.com)