

Number of contacts	16-96
Contact spacing (mm)	2.54
Working current see current carrying capacity chart	2 A max. 1 A with insulation displacement 40 A max. type M
Clearance	≥ 1.2 mm
Creepage	≥ 1.2 mm
Working voltage The working voltage also depends on the clearance and creepage dimensions of the pcb itself, and the associated wiring	according to the safety regulations of the equipment Explanations see chapter 00
Test voltage $U_{r.m.s.}$	1 kV
Contact resistance	≤ 15 mΩ for wire wrap connection ≤ 20 mΩ including crimp connection
Insulation resistance	≥ 10 ¹² Ω
Temperature range The higher temperature limit includes the local ambient and heating effects of the contacts under load	- 55 °C ... + 125 °C
Degree of protection for crimp terminal IP 20 according to DIN 40 050	

Electrical termination	
Male connector	Solder pins for pcb connections Ø 1.0 ± 0.1 mm according to IEC 60 326-3 For pcb connection Ø 0.8 + 0.3 mm on request wrap posts 0.6 x 0.6 mm diagonal 0.79-0.86 mm
Female connector	wrap posts 0.6 x 0.6 mm diagonal 0.79-0.86 mm Solder pins for pcb connections Ø 1.0 ± 0.1 mm according to IEC 60 326-3 For pcb connection Ø 0.8 + 0.3 mm on request Crimp terminal 0.09-0.5 mm ² Insulation displacement connection AWG 28/7

Insertion and withdrawal force	16way ≤ 15 N 32way ≤ 30 N 48way ≤ 45 N 64way ≤ 60 N 96way ≤ 90 N
--------------------------------	--

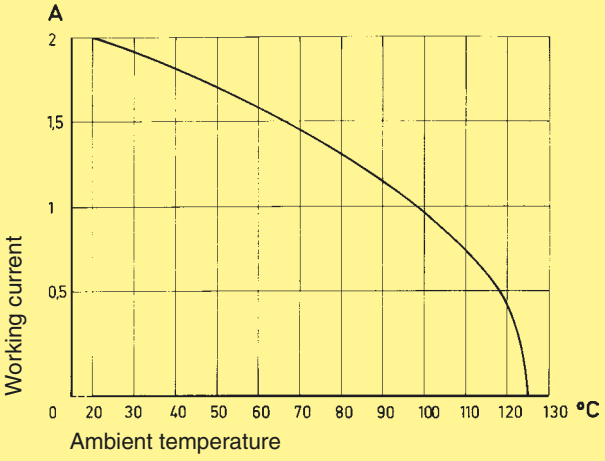
Materials	
Mouldings	Thermoplastic resin, glass-fibre filled, UL 94-V0
Contacts	Copper alloy
Contact surface	Contact zone: selectively plated according to performance level ¹⁾ Termination zone: tinned Wrap posts: selectively gold-plated on request

¹⁾ Explanation performance levels see chapter 00
Mating conditions see chapter 00

Current carrying capacity

The current carrying capacity is limited by maximum temperature of materials for inserts and contacts including terminals. The current capacity curve is valid for continuous, non interrupted current loaded contacts of connectors when simultaneous power on all contacts is given, without exceeding the maximum temperature.

Control and test procedures according to DIN IEC 60 512



Pin shroud for female connectors with 0.6 x 0.6 mm pins according to DIN 41 612

A secure interfacing system for signals from the rear of 19" racks to connectors with wrap posts 0.6 x 0.6 mm is possible with the use of a pin shroud.

The pin shroud protects the wrap posts on the rear side of the rack and can be screwed to the printed circuit board.

After assembly the rear ends of the wire wrap posts become the mating areas of the type C male connector according to DIN 41 612.

This system can now accept:

- female connectors type C
- female connectors type R

The locking levers provide security for the mated connectors. Fast and simple disconnection is possible.

Fitting and removing crimp contacts

see technical characteristics chapter 02

Types signal to 2 A

Number of contacts

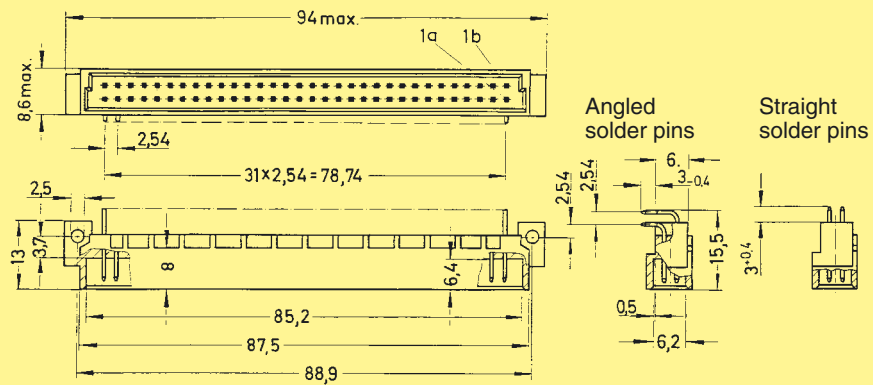
64, 32



Male connectors

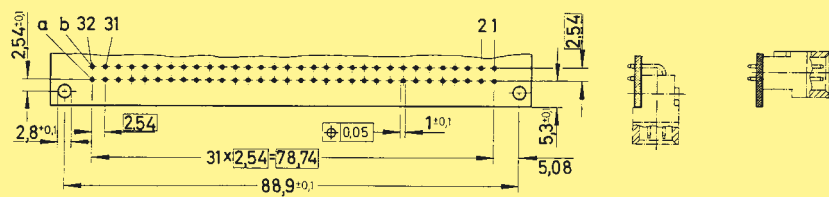
Identification	Number of contacts	Contact arrangement	Part No.			Performance levels according to DIN 41 612. Explanation chapter 00		
			3	2	1	3	2	1
Male connector with angled solder pins	64		09 02 164 7921	09 02 164 6921	09 02 164 2921			
	32		09 02 132 7921	09 02 132 6921	09 02 132 2921			
	32		09 02 132 7931	09 02 132 6931	09 02 132 2931			
	62 + 2 [▲]		09 02 164 7951	09 02 164 6951	09 02 164 2951			
Male connector with straight solder pins	64		09 02 164 7922	09 02 164 6922	09 02 164 2922			
	32		09 02 132 7922	09 02 132 6922	09 02 132 2922			
	32		09 02 132 7932	09 02 132 6932	09 02 132 2932			
	62 + 2 [▲]		09 02 164 7952	09 02 164 6952	09 02 164 2952			

Dimensions



Board drillings

Mounting side

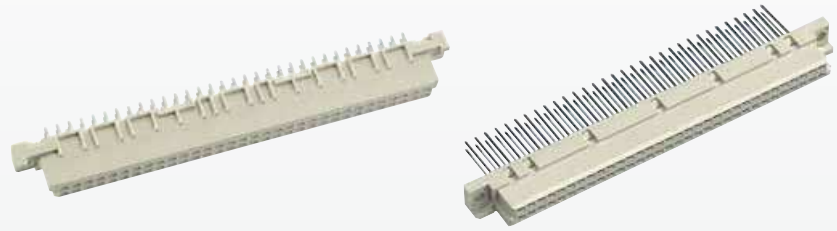


Dimensions in mm

[▲] Male connectors with 2 leading contacts [(0.8 mm) pos. a1 and a32]
Other contact arrangements on request

Number of contacts

64



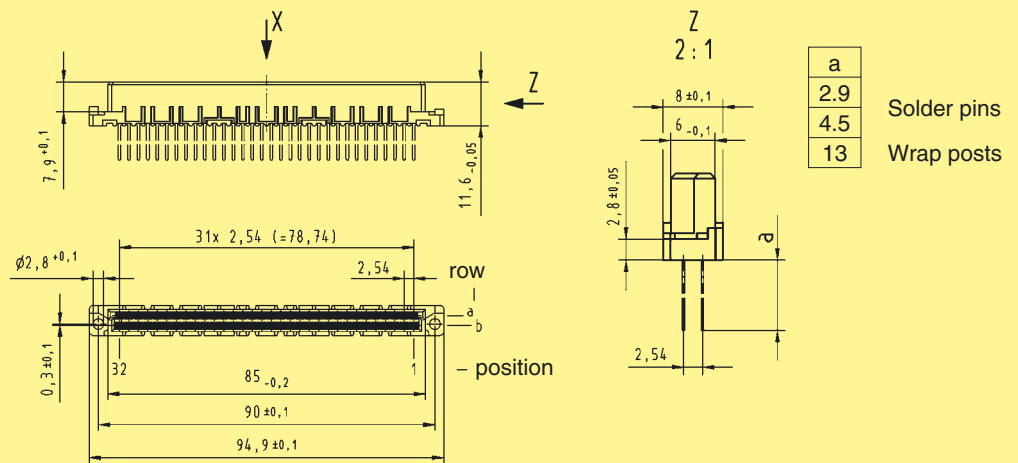
Female connectors

Identification	Number of contacts	Contact arrangement	Part No.	Performance levels according to DIN 41 612. Explanation chapter 00		
				3	2	1
Female connector with solder pins 2.9 mm	64		Performance level 3 on request	09 02 264 6824	Performance level 1 on request	
Female connector with solder pins 4.5 mm	64			09 02 264 6825		
Female connector with wrap posts 13 mm	64			09 02 264 6821		

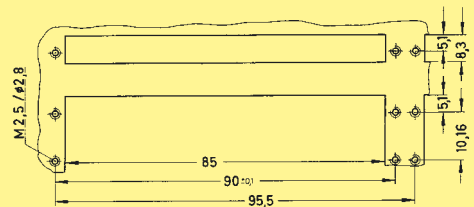
Female connector with press-in pins

Part Nos. and variants see chapter 04

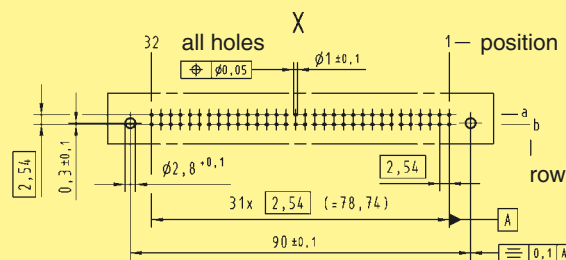
Dimensions



Panel cut out



Board drillings Mounting side



Identification strips see chapter 40

Dimensions in mm

Types signal to 2 A