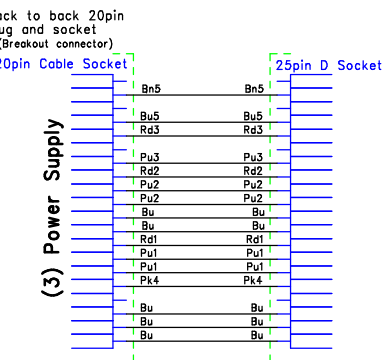
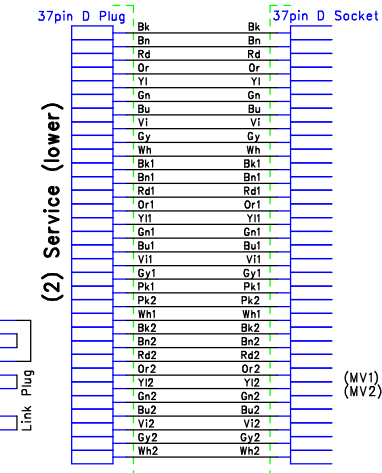
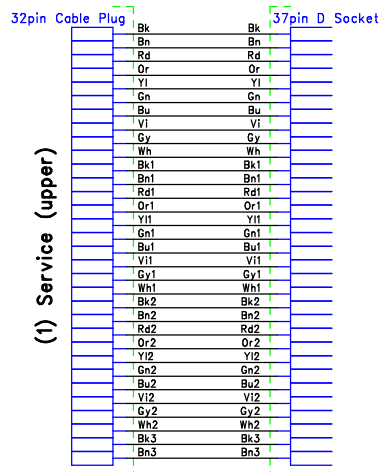
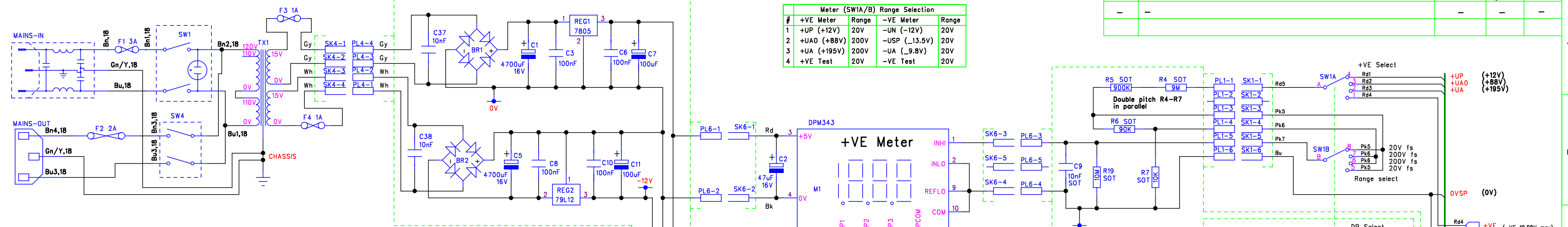


RevNo	Revision note	Date	By	Checked
-	-	-	-	-

#	+VE Meter	Range	-VE Meter	Range
1	+UP (+12V)	20V	-UN (-12V)	20V
2	+UA0 (+88V)	200V	-USP (-13.5V)	20V
3	+UA (+195V)	200V	-UA (-9.8V)	20V
4	+VE Test	20V	-VE Test	20V



V8-SERVICE-1

220	222	222
OV	OV	OV
A1	A1	A1
E1	E1	E1
WRITE	WRITE	WRITE
M	M	M
S1	S1	S1
? 8 ?	? 8 ?	? 8 ?
? 9 ?	? 9 ?	? 9 ?
MRS	MRS	MRS
A2	A2	A2
E2	E2	E2
V	V	V
MUL	MUL	MUL
DIV	DIV	DIV
R	R	R
HV	HV	HV
MDS	MDS	MDS
A4	A4	A4
E4	E4	E4
SUB	SUB	SUB
(M2)	(M2)	(M2)
MZ	MZ	MZ
VER	VER	VER
(VOR)	(VOR)	(VOR)
AC	AC	AC
ACO	ACO	ACO
AB	AB	AB

V7-SERVICE-2

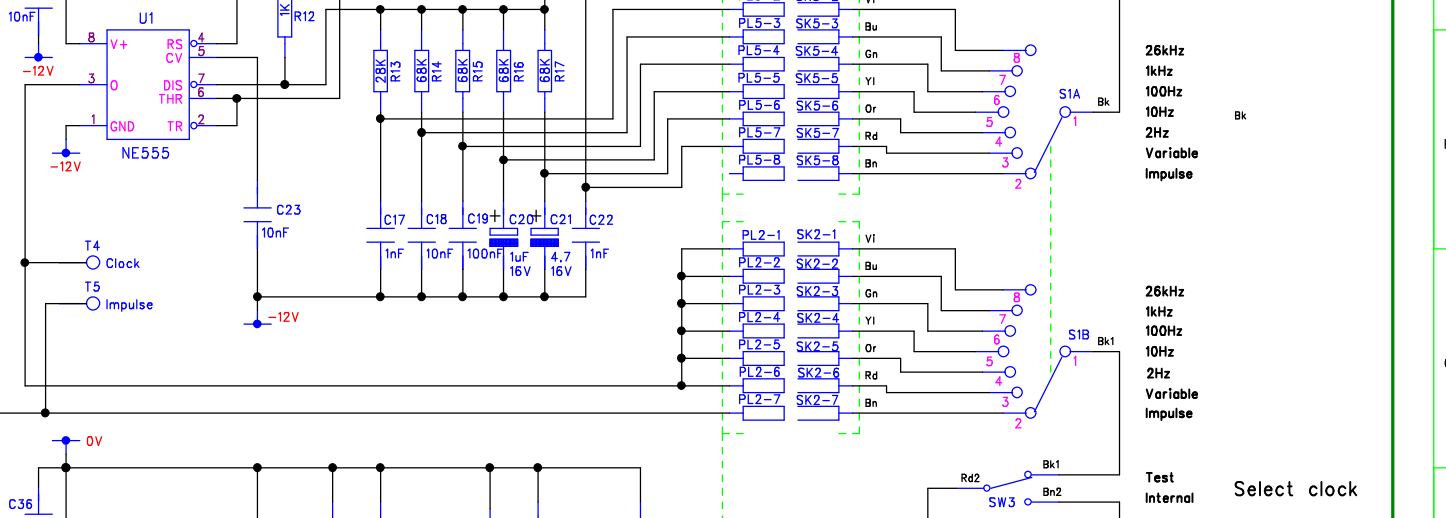
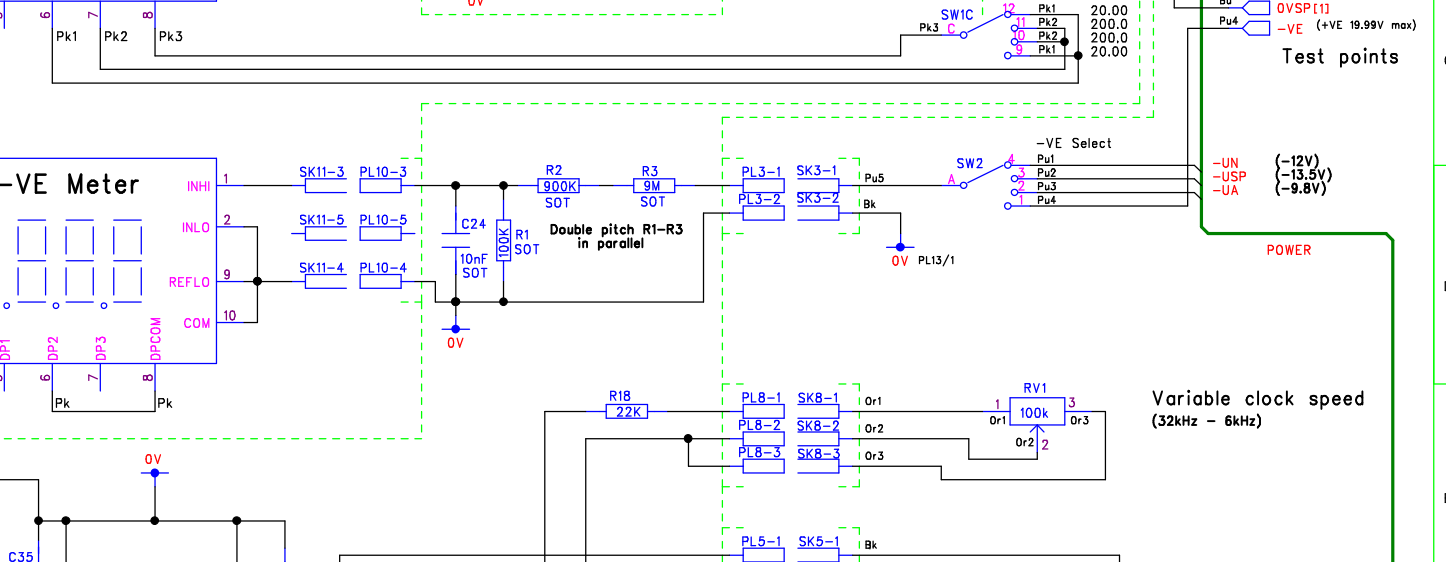
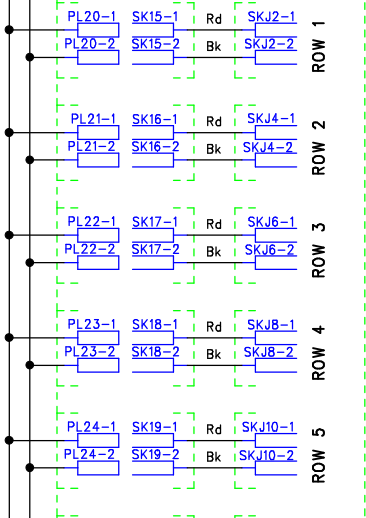
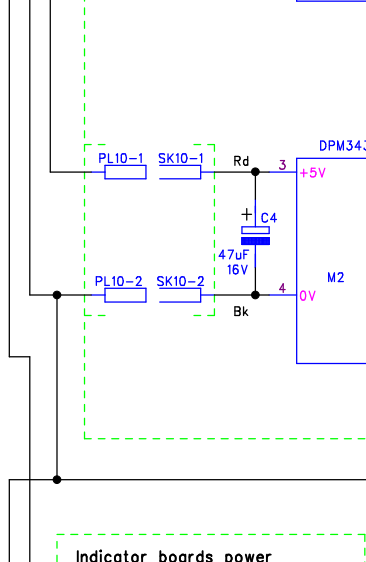
220	222	224
E8	UBER	E8
F1	F1	F1
F2	F2	F2
F3	F3	F3
F4	F4	F4
F5	F5	F5
F6	F6	F6
Z1	Z1	Z1
Z2	Z2	Z2
Z4	Z4	Z4
Z8	Z8	Z8
Z16	Z16	Z16
? 14 ?	? 14 ?	? 14 ?
(B1)	(B1)	(B1)
B2	B2	B2
B3	B3	B3
(B4)	(B4)	(B4)
? 19 ?	? 19 ?	? 19 ?
-12V	+12V	? 22 ?
+UA1	+190V	+190V
+UA0	+190V	+190V
CLOCK	CLOCK	? 25 ?
MCLK	MCLK	CLOCK
AUSG	AUSG	MCLK
(KEYin)	(KEYin)	
KEY	KEY	
V7-31	KEY	
V7-32	KEY	? 32 ?

Indicator boards

SK1A-1	A1
SK1A-2	E1
SK1A-3	WRITE
SK1A-4	WRITE
SK1A-5	M
SK1B-1	S1
SK1B-2	UV
SK1B-3	AUSG
SK1B-4	V8-10
SK1B-5	MRS
SK3A-1	A2
SK3A-2	E2
SK3A-3	V8-14
SK3A-4	V
SK3A-5	V8-16
SK3B-1	MUL
SK3B-2	DIV
SK3B-3	R
SK3B-4	HV
SK3B-5	MDS
SK5A-1	A4
SK5A-2	E4
SK5A-3	V8-24
SK5A-4	SUB
SK5A-5	MZ
SK5B-1	RU
SK5B-2	VER
SK5B-3	VOR
SK5B-4	AC
SK5B-5	ACO

Indicator boards power

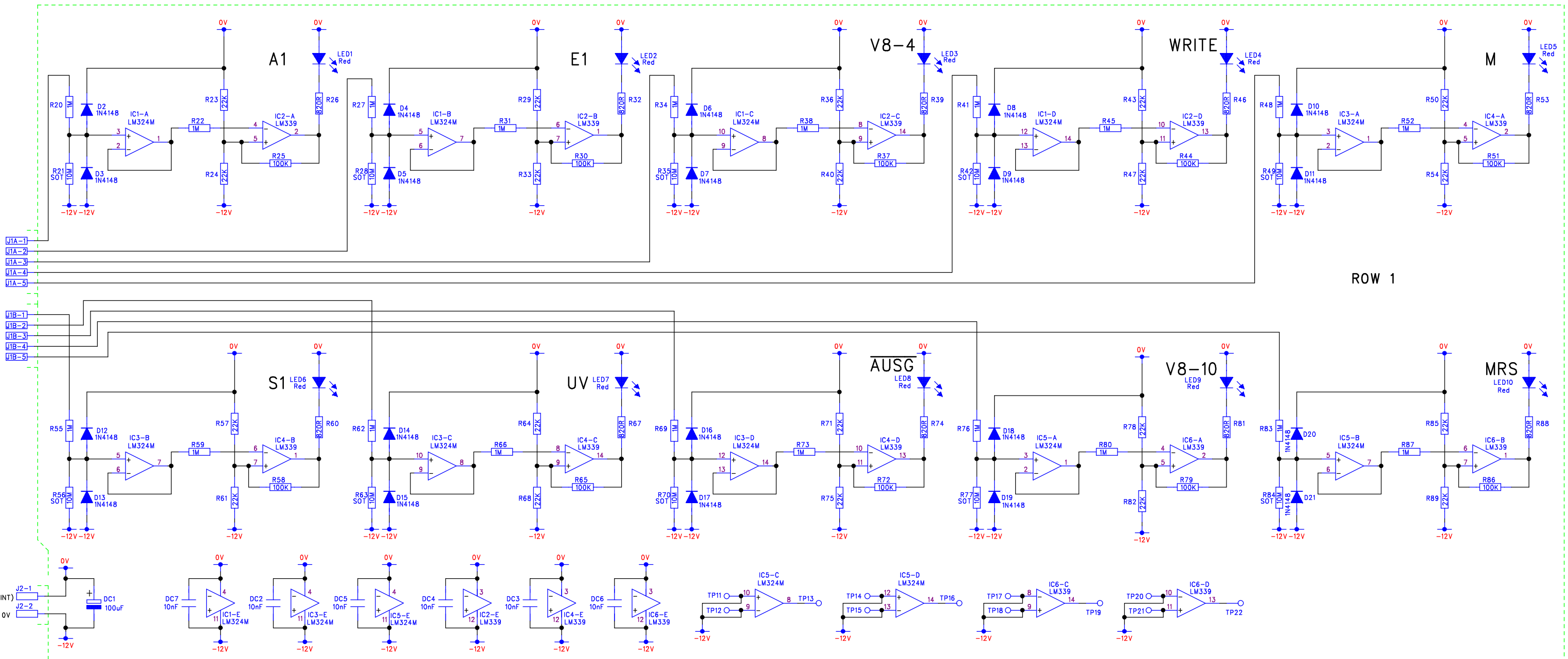
SK7A-1	A8
SK7A-2	E8
SK7A-3	KBD(L01)
SK7A-4	UBER
SK7A-5	F1
SK7B-1	F2
SK7B-2	F3
SK7B-3	F4
SK7B-4	F5
SK7B-5	F6
SK9A-1	Z1
SK9A-2	Z2
SK9A-3	Z4
SK9A-4	Z8
SK9A-5	Z16
SK9B-1	V7-14
SK9B-2	B1
SK9B-3	B2
SK9B-4	B3
SK9B-5	B4
SK11A-1	V7-19
SK11A-2	V7-22
SK11A-3	V7-25
SK11A-4	CLOCK
SK11A-5	MCLK
SK11B-1	AUSG
SK11B-2	KEYIN
SK11B-3	KEY
SK11B-4	V7-31
SK11B-5	V7-32



DM Associates
33, Northbrook Road
Aldershot, Hampshire. GU11 3HE
Email: mike@soemtron.org
www.soemtron.org

Pcb Dwg # =	Name	Date	Scale	Nts	Title
	MD Hatch	7/7/2011	Sheet	1	Soemtron ETR Calculators
Drawn			Next Sheet	-	Prufgerate - Universal Test
Checked			Drawing Number		Supply, Metering, Connections
					Prufgerate
					A2 Issue A

RevNo	Revision note	Date	By	Checked
-	-	-	-	-



J3 J4	A2, E2, V8-4, V, V8-16, MUL, DIV, R, HV, MDS	ROW 2
J5 J6	A4, E4, V8-24, SUB, \overline{MZ} , RU, VER, \overline{VOR} , AC, ACO	ROW 3
J7 J8	A8, E8, KBD(Lo1), UBER, F1, F2, F3, F4, F5, F6	ROW 4
J9 J10	Z1, Z2, Z4, Z8, Z16, V7-14, $\overline{B1}$, B2, B3, $\overline{B4}$	ROW 5
J11 J12	V7-19, V7-22, V7-25, MCLK, AUSG, \overline{KEYIN} , V7-31, V7-32, -, -	Possible ROW 6



DM Associates
 33, Northbrook Road
 Aldershot, Hampshire. GU11 3HE
 Email: mike@soemtron.org
 www.soemtron.org

Pcb Dwg # =		Scale	Nts	Title
Drawn	Name	Sheet	-	Soemtron ETR 220 Calculator Prüfgerate - Universal Test 10 Channel Indicator
Checked	Date	Next Sheet	-	
		Drawing Number	Soemtron 220	A2 Issue A

Notes: