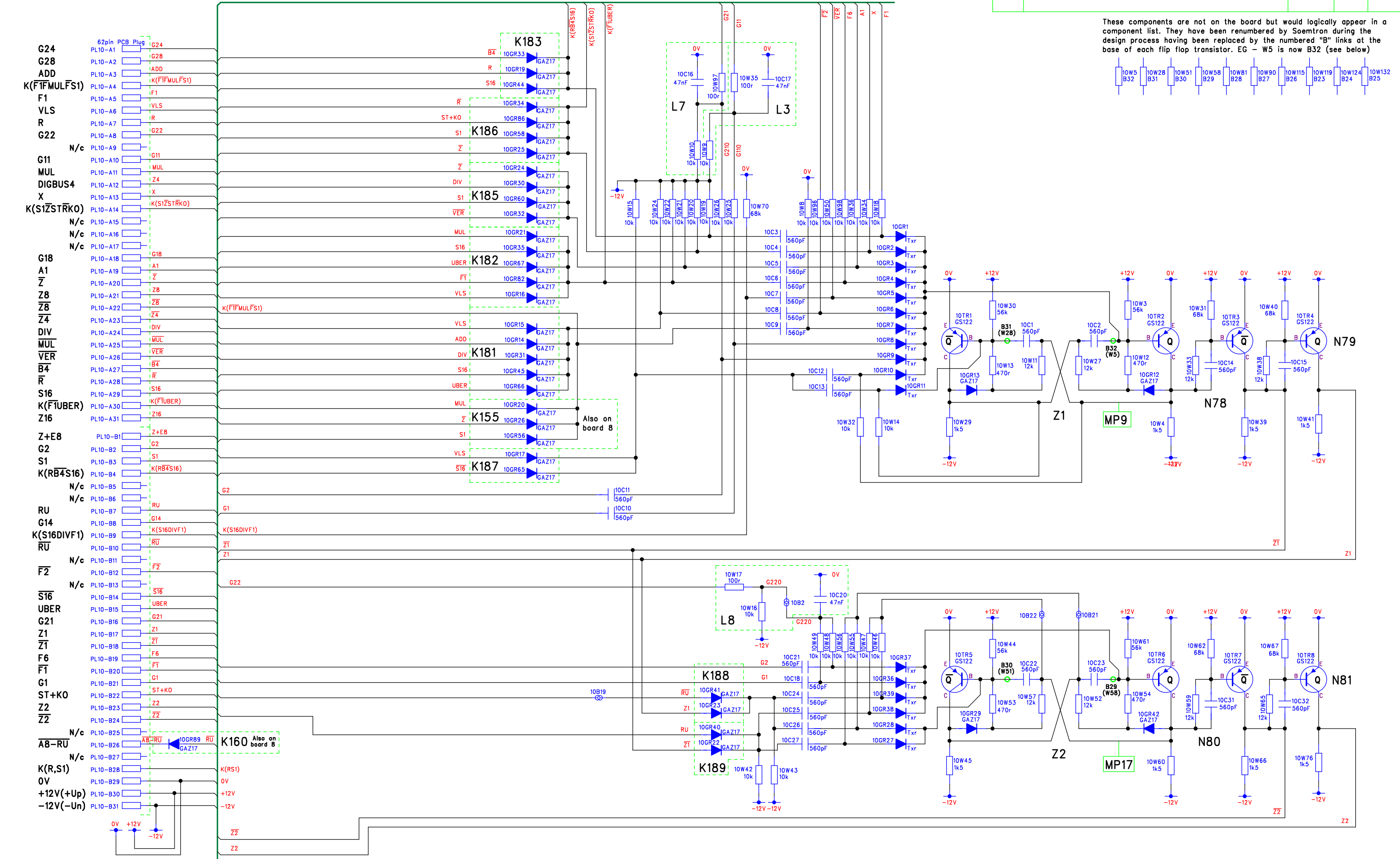
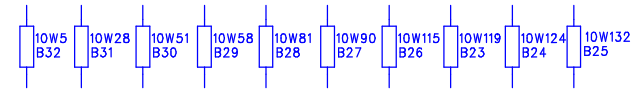


Comp side -
 Solder side - 3042 05-220-7010-7 f
 Date coded - 21/73

RevNo	Revision note	Date	By	Checked
-	-	-	-	-

These components are not on the board but would logically appear in a component list. They have been renumbered by Soemtron during the design process having been replaced by the numbered "B" links at the base of each flip flop transistor. EG - W5 is now B32 (see below)



These diagrams are referenced to 0V - Logical 1 = -12v, logical 0 = 0V

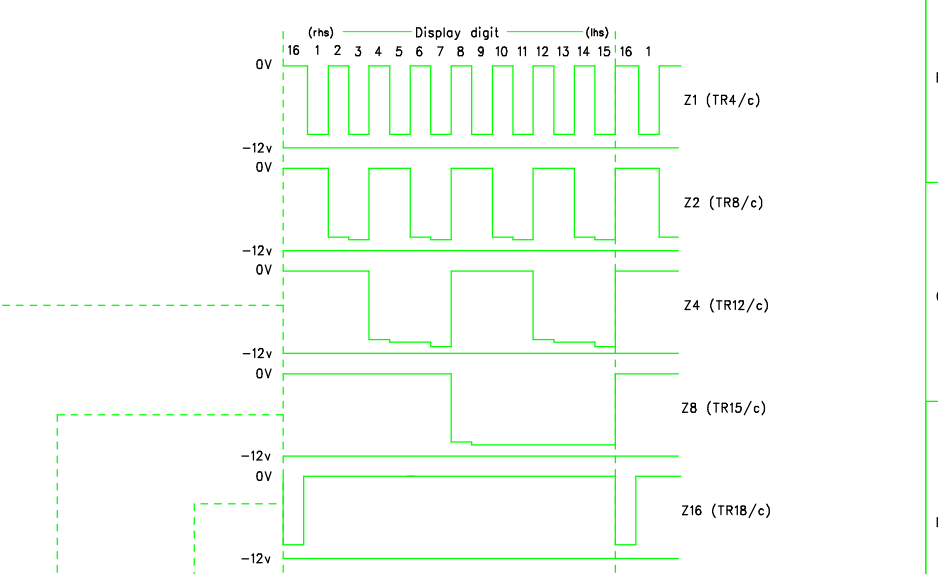
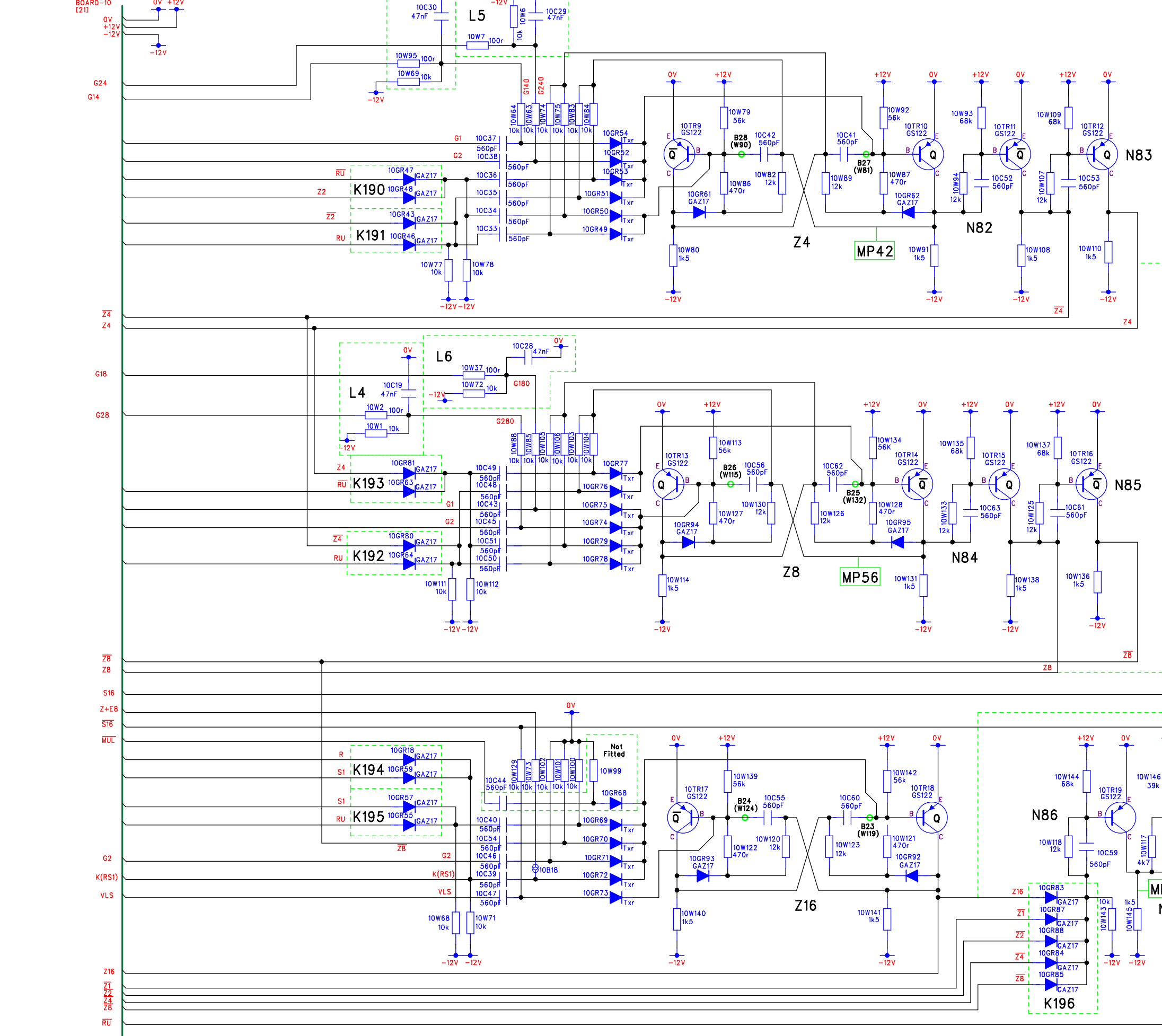


DM Associates
 33, Northbrook Road
 Aldershot, Hampshire. GU11 3HE
 Email: mike@soemtron.org
 www.soemtron.org

Pcb Dwg # =		Scale	Nts	Title	
Drawn	Name	Date	Sheet	Soemtron ETR 220 Calculator	
Checked	MD Hatch	8/11/2007	Next Sheet	Digit Count (BCD) Z1-16	
		Drawing Number	BOARD 10 Sheet 1		
		Soemtron 220		A2	Issue A

© 2007 Mike Hatch. (www.soemtron.org)

RevNo	Revision note	Date	By	Checked
-	-	-	-	-



Display only timing diagram

These diagrams are referenced to 0V - Logical 1 = -12v, logical 0 = 0V



DM Associates
33, Northbrook Road
Aldershot, Hampshire. GU11 3HE
Email: mike@soemtron.org
www.soemtron.org

Pcb Dwg # =

Name	Date
Drawn MD Hatch	8/11/2007
Checked -	-

Scale	Nts	Title
Sheet 22	22	Soemtron ETR 220 Calculator
Next Sheet 23	23	Digit Count (BCD) Z1-16
Drawing Number		BOARD 10 Sheet 2
		Soemtron 220