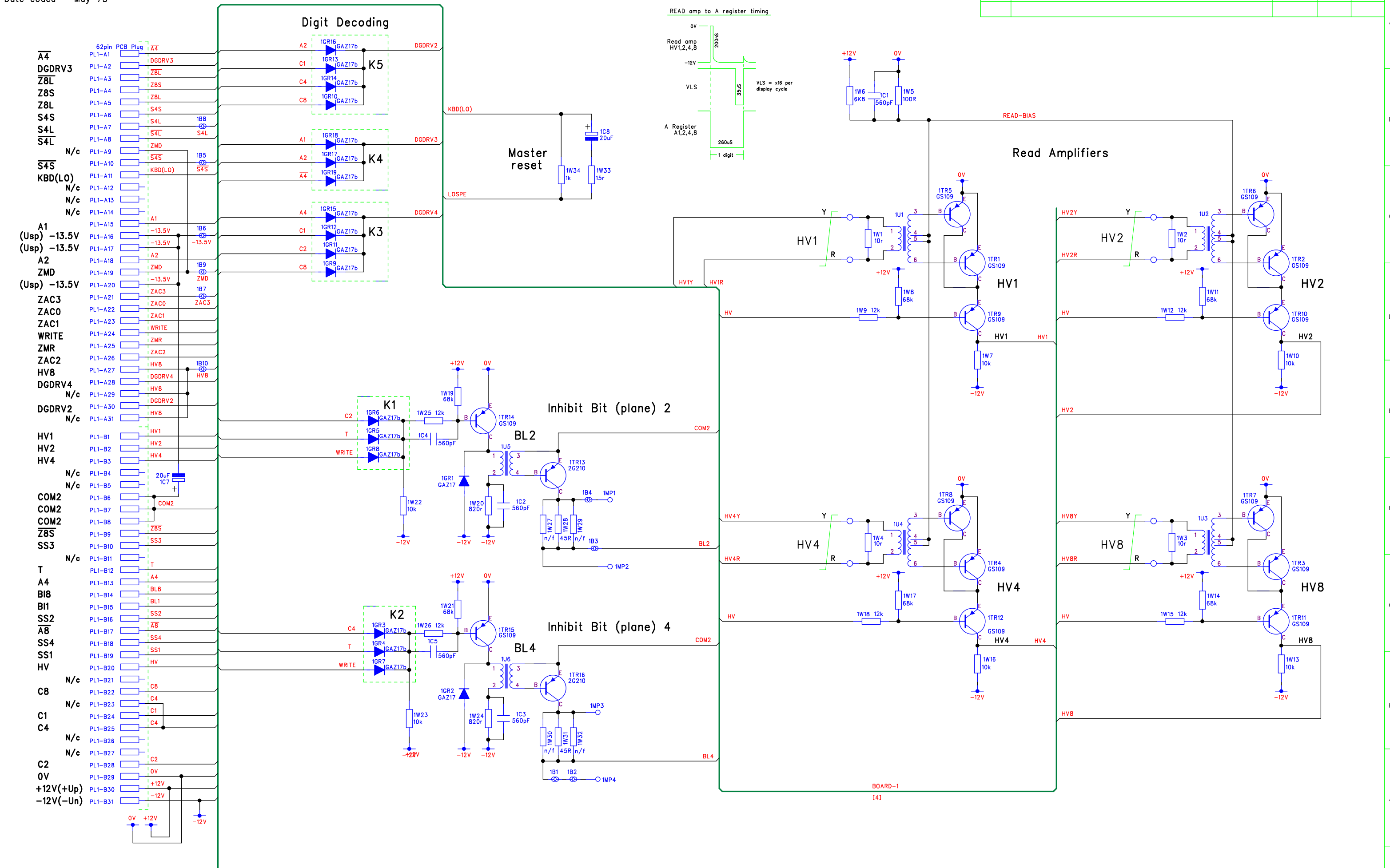


Comp side - ETR 220
 Solder side - 3033 05-220-7001-0 0e
 Date coded - May 73

RevNo	Revision note	Date	By	Checked
-	-	-	-	-



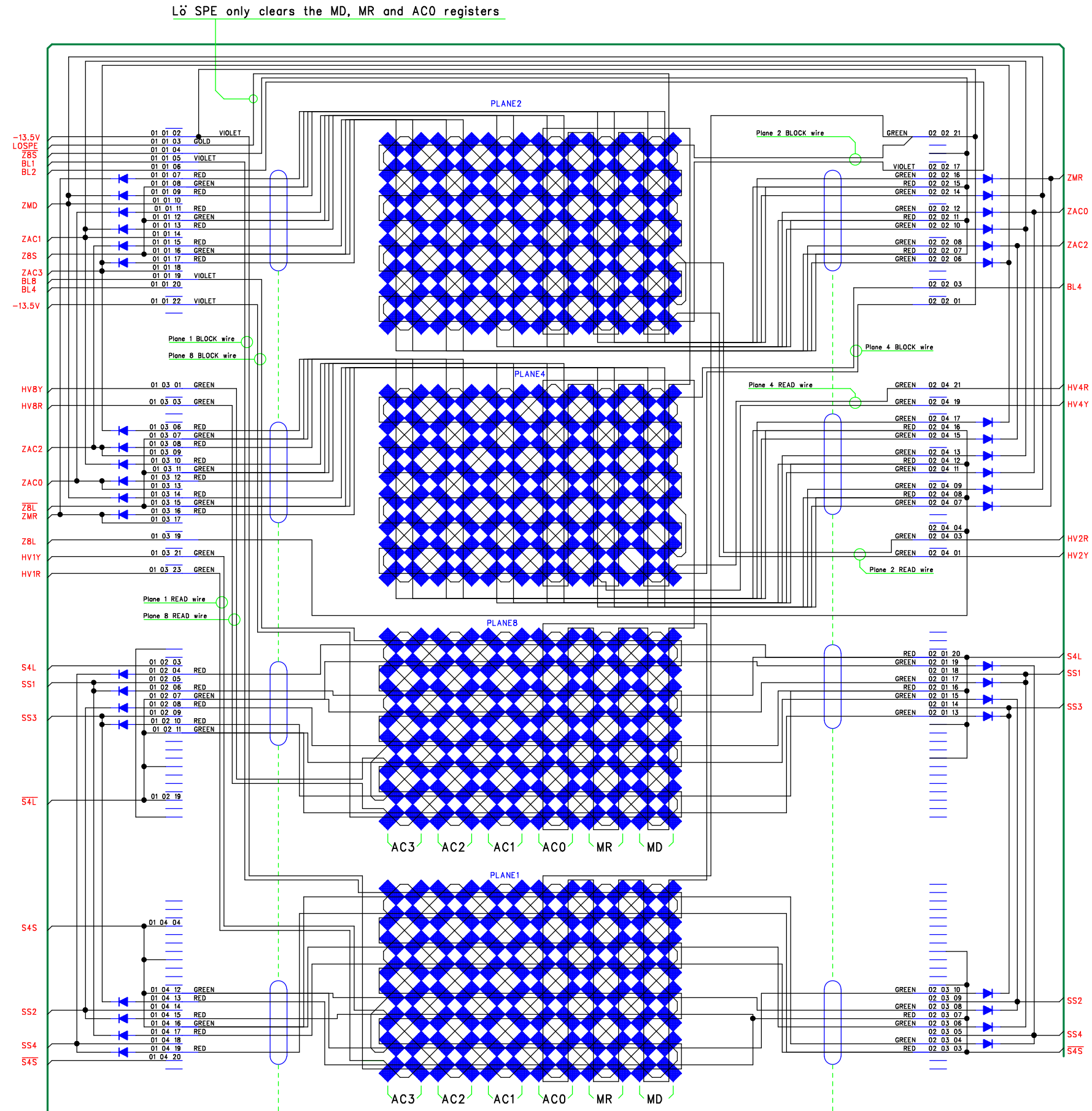
These diagrams are referenced to 0V - Logical 1 = -12v, logical 0 = 0V



DM Associates
 33, Northbrook Road
 Aldershot, Hampshire. GU11 3HE
 Email: mike@soemtron.org
 www.soemtron.org

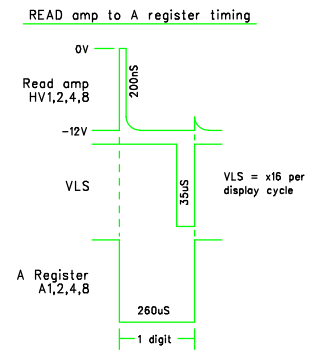
Pcb Dwg # =		Scale	Nts	Title Soemtron ETR 220 Calculator Digit Decoding & Read Amps BOARD 1
Drawn	Name	Sheet	3	
Checked	Date	Next Sheet	4	
		Drawing Number	Soemtron 220	
			A2	Issue
			A	

RevNo	Revision note	Date	By	Checked
-	-	-	-	-



Lö SPE only clears the MD, MR and ACO registers

Each of these eight groups of ROW / COLOUMN wire sets is shown passing through one plane only. They actually pass through all four planes.



These diagrams are referenced to 0V - Logical 1 = -12V, logical 0 = 0V



DM Associates
33, Northbrook Road
Aldershot, Hampshire. GU11 3HE
Email: mike@soemtron.org
www.soemtron.org

Pcb Dwg # =	
Drawn	MD Hatch
Checked	-

Scale	Nts
Sheet	4
Next Sheet	5
Drawing Number	Soemtron 220

Title	
Soemtron ETR 220 Calculator	
Core Store - Planes	
BOARD1 Sheet 2	
A2 Issue	A

© 2008 Mike Hatch. (www.soemtron.org)