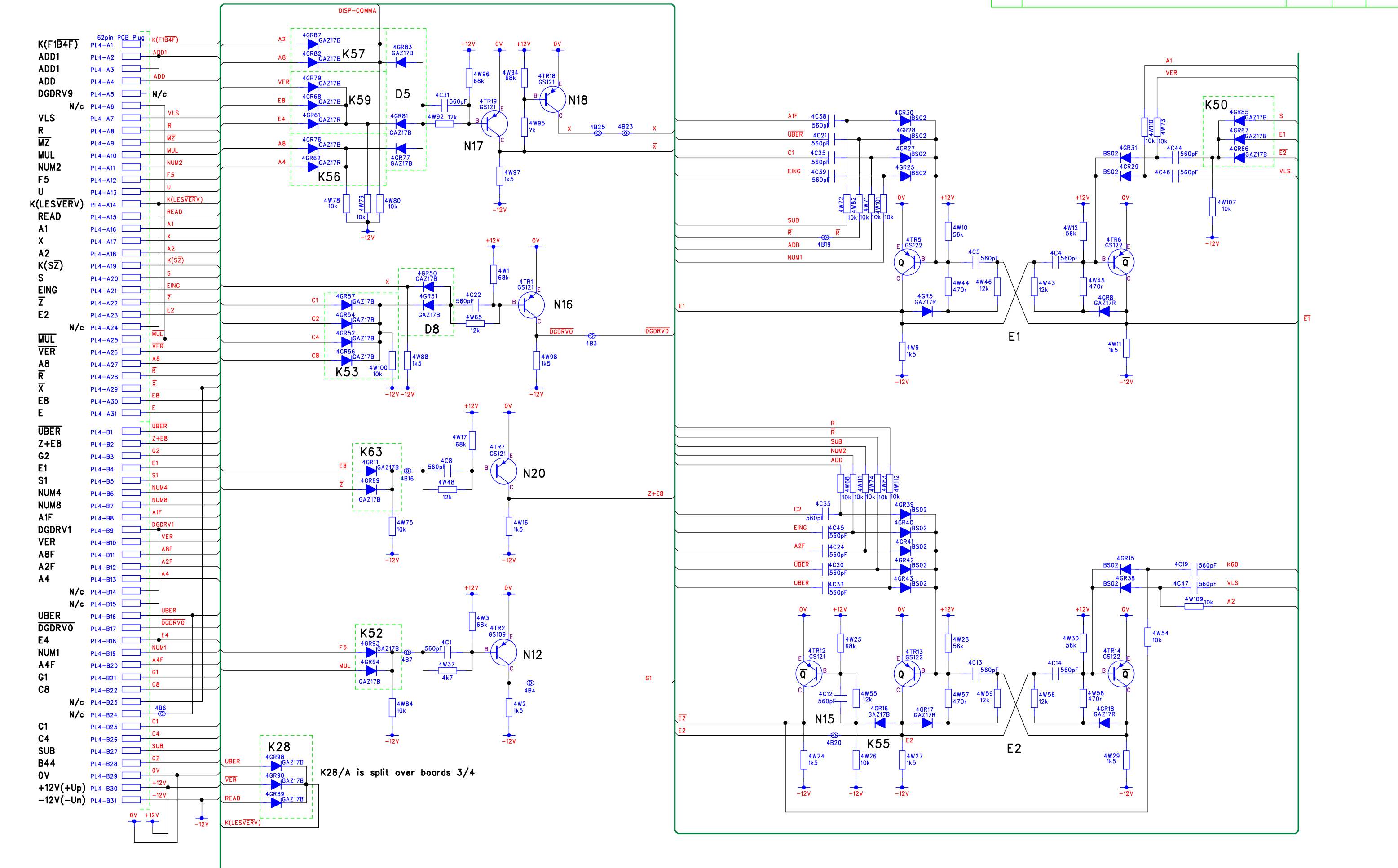


Comp side - 05-220-7004-3 0h  
 Solder side - 3036 05-220-7004-3 0i  
 Date coded - 17/73

RevNo	Revision note	Date	By	Checked
-	-	-	-	-



These diagrams are referenced to 0V - Logical 1 = -12v, logical 0 = 0V



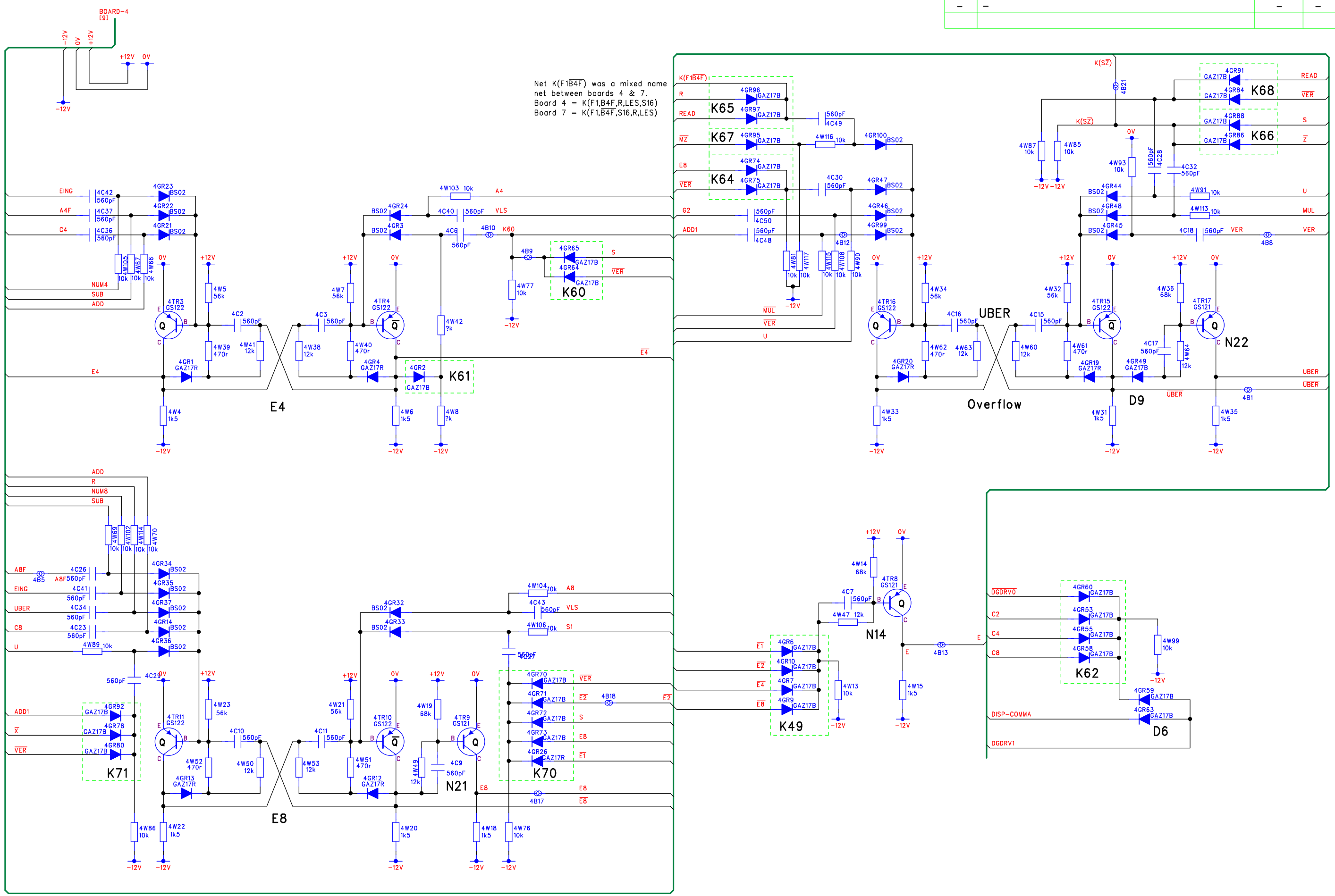
DM Associates  
 33, Northbrook Road  
 Aldershot, Hampshire. GU11 3HE  
 Email: mike@soemtron.org  
 www.soemtron.org

Pcb Dwg # =

Name	Date
Drawn MD Hatch	-
Checked -	-

Scale	Nts	Title
Sheet 9	9	Soemtron ETR 200 Calculator E Register (BCD) + UBER BOARD 4
Next Sheet 10	10	
Drawing Number	Soemtron 220	A2 Issue A

RevNo	Revision note	Date	By	Checked
-	-	-	-	-



DM Associates  
 33, Northbrook Road  
 Aldershot, Hampshire. GU11 3HE  
 Email: mike@soemtron.org  
 www.soemtron.org

Pcb Dwg # =		Scale	Nts	Title	
Drawn	Name	Sheet	10	Soemtron ETR 220 Calculator	
Checked	Date	Next Sheet	11	E Register (BCD) + UBER	
		Drawing Number		BOARD 4 Sheet 2	
				Soemtron 220	A2 Issue A

These diagrams are referenced to 0V - Logical 1 = -12v, logical 0 = 0V