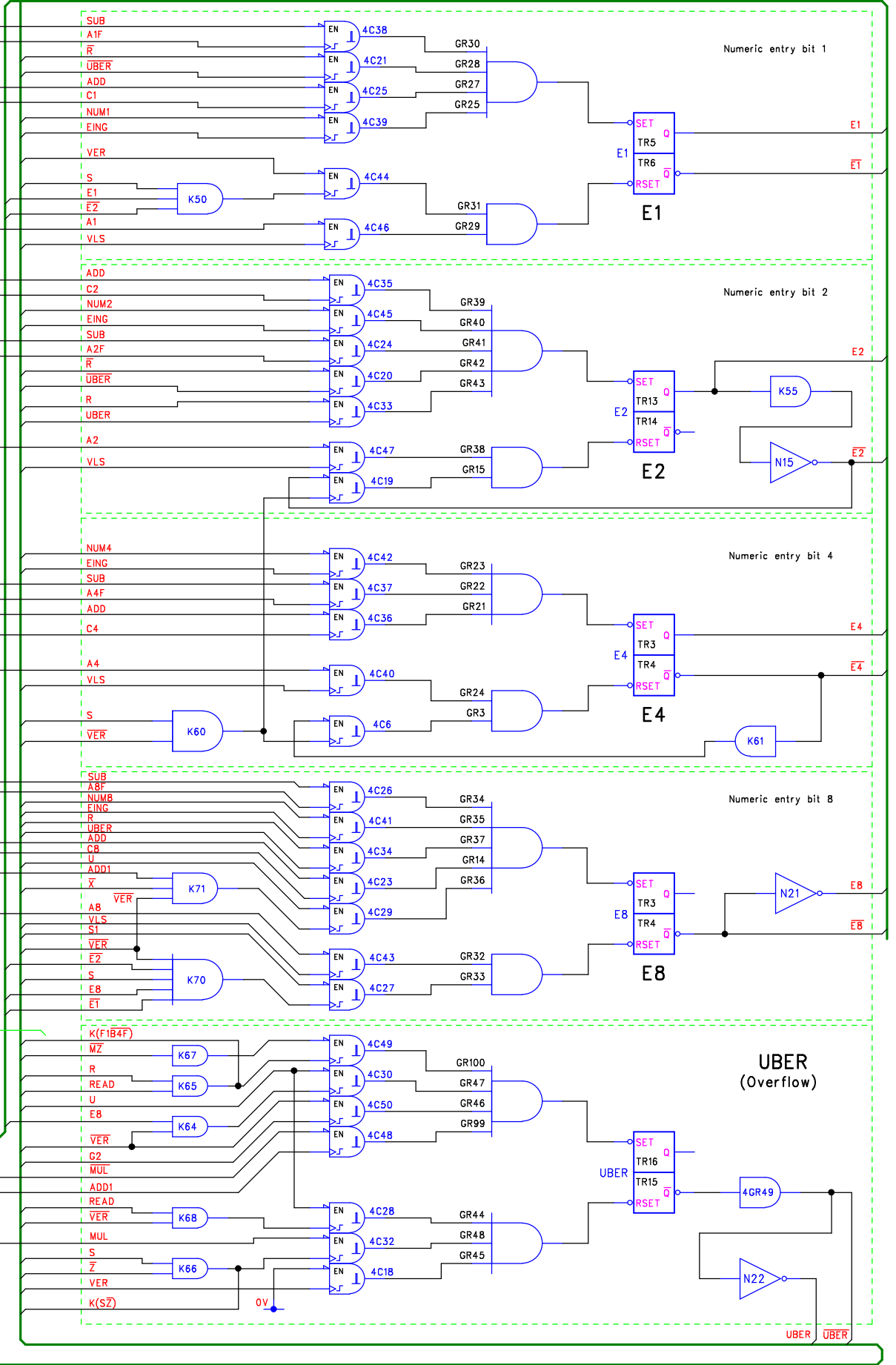
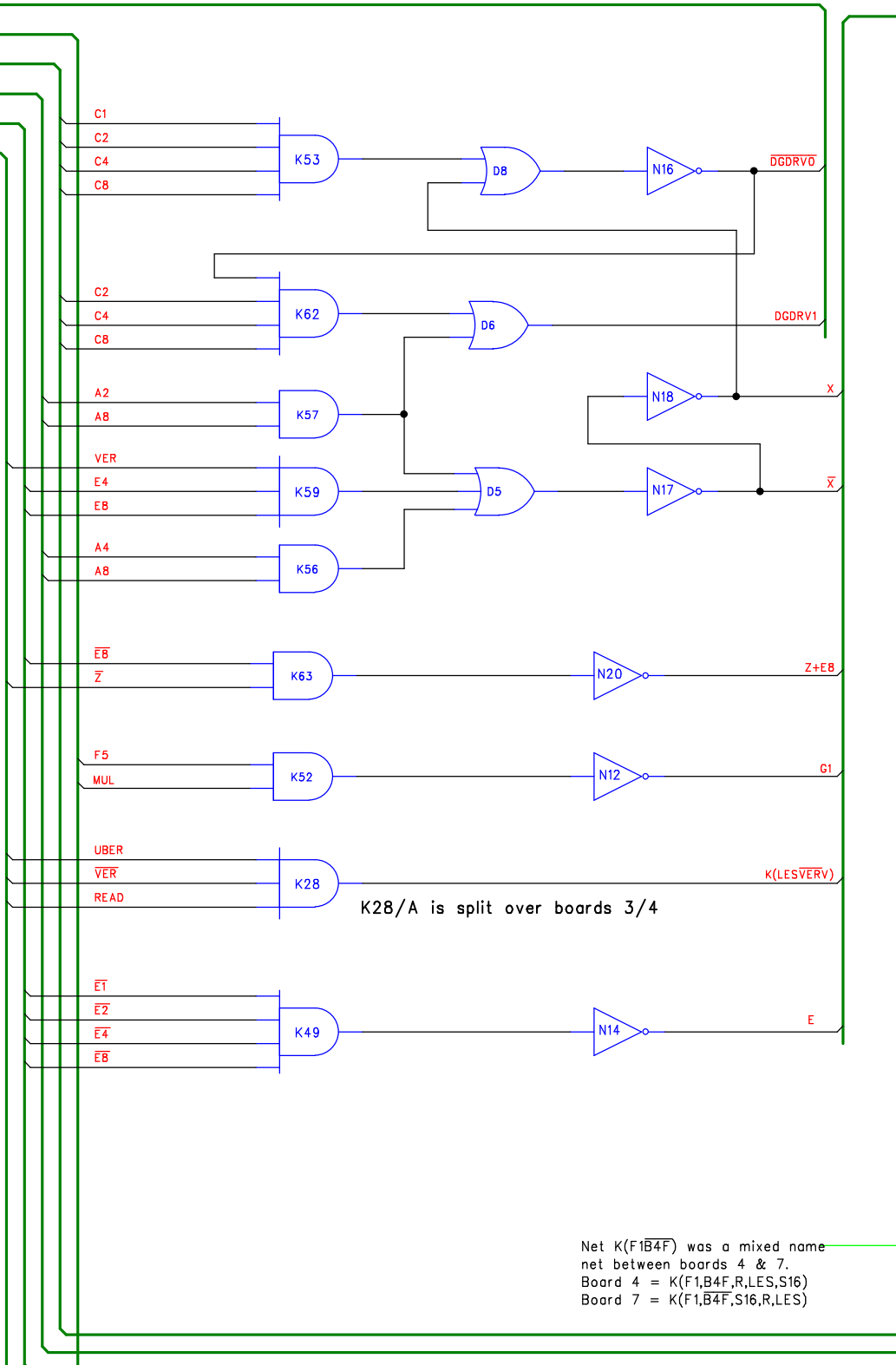


RevNo	Revision note	Date	By	Checked
-	-	-	-	-

DIGIT-BUSS [1,3,9,12]  
 FUNCTIONS [2,3,5,6,7,8,9,10]  
 C-BUSS [1,2,3]  
 A-BUSS [1,3,6,7,8,9]  
 E-BUSS [3]  
 CONTROL [1,2,3,5,6,7,8,9,10,11]



Negative logic referenced to 0V - Logical 1 = -12v, logical 0 = 0v



DM Associates  
 33, Northbrook Road  
 Aldershot, Hampshire. GU11 3HE  
 Email: mike@soemtron.org  
 www.soemtron.org

Pcb Dwg # =

	Name	Date
Drawn	MD Hatch	5/10/2009
Checked	-	-

Scale	Nts
Sheet	4
Next Sheet	5
Drawing Number	

Title	Issue
Soemtron ETR 220 Calculator #4 - E Register and Overflow Logic Diagram	A
Soemtron 220 Logic	A2