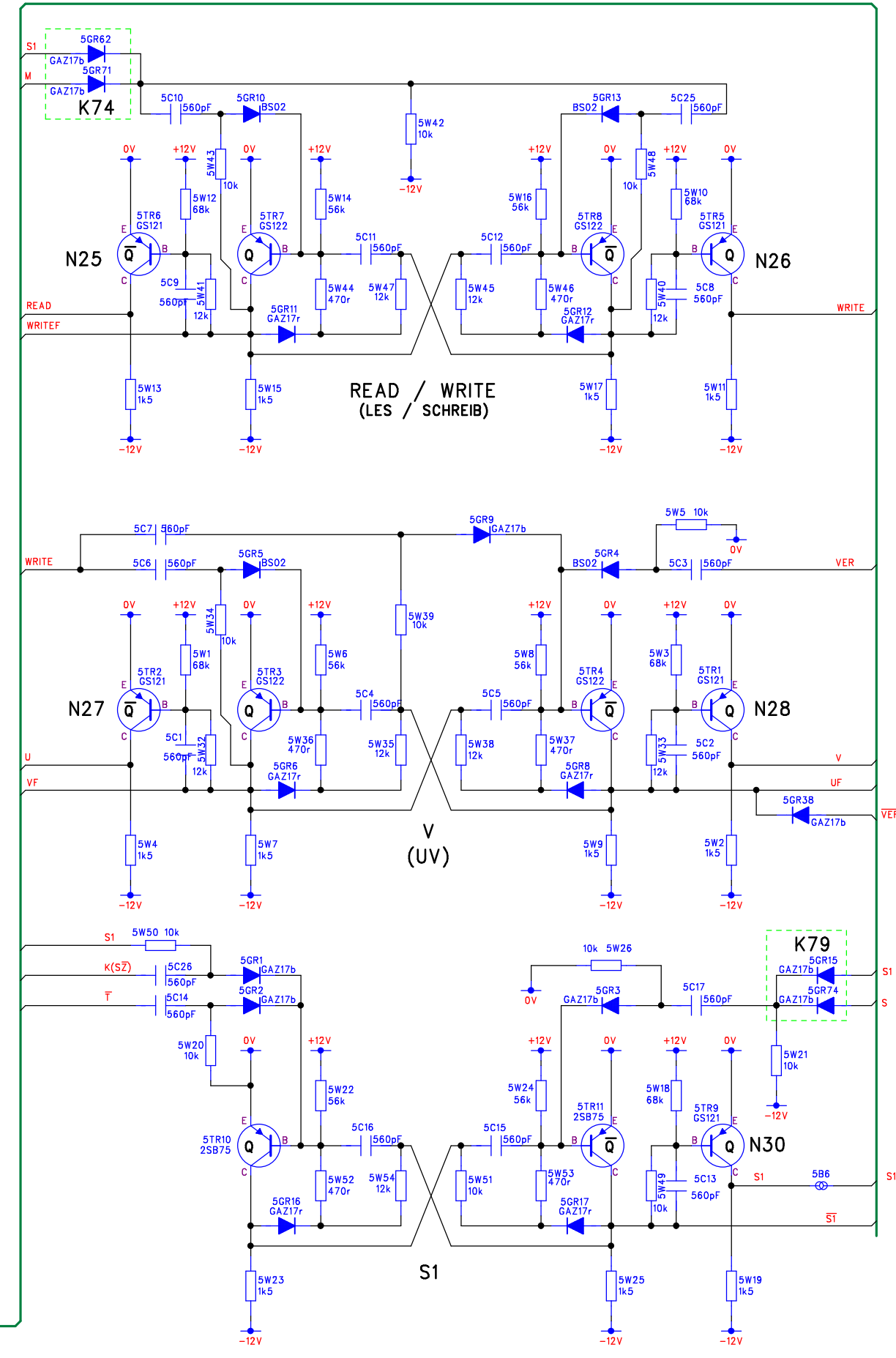
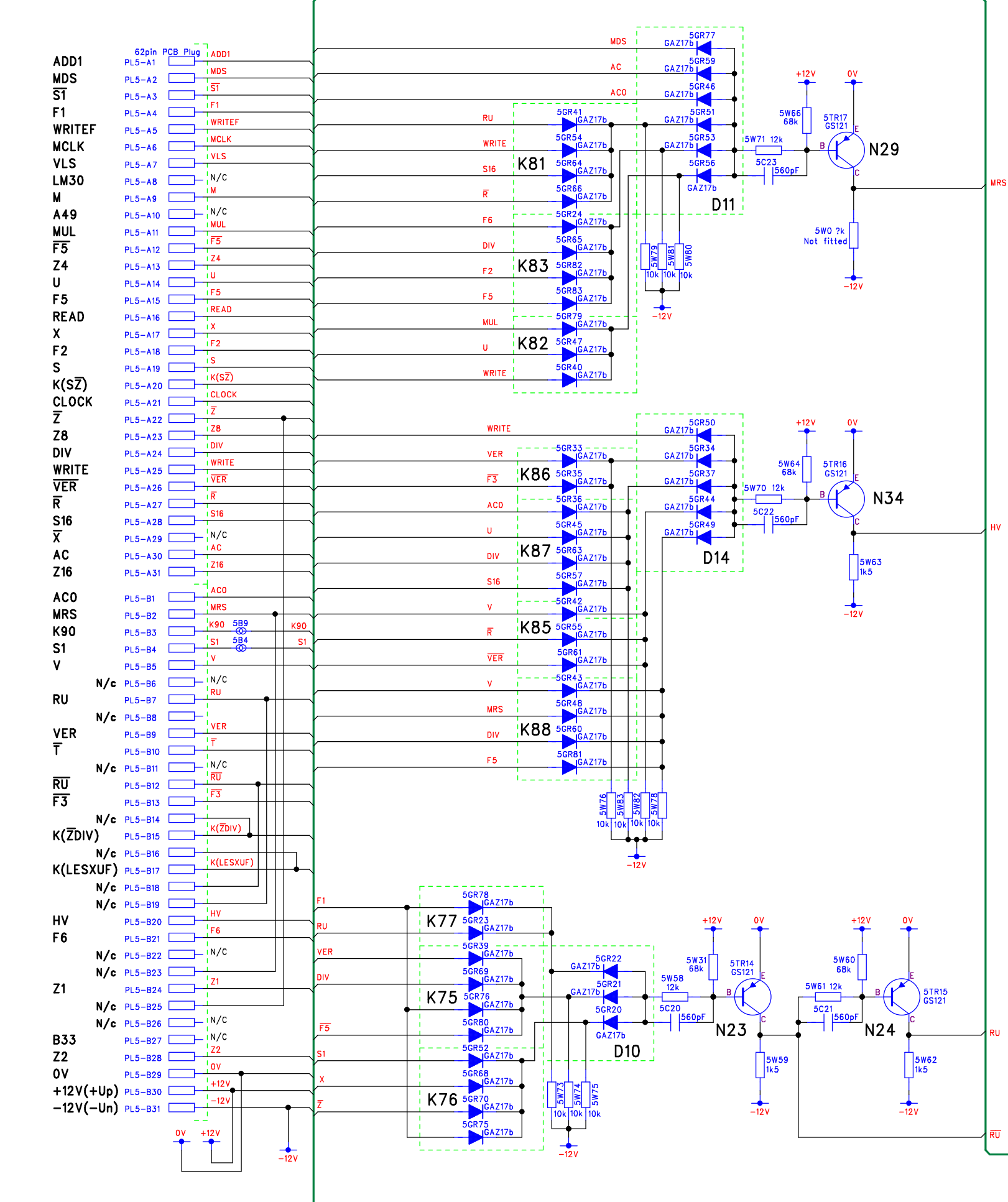


Comp side - 05-220-7005-1 g
 Solder side - 3037 05-220-7005-1 h
 Date coded - 21/73

RevNo	Revision note	Date	By	Checked
-	-	-	-	-



These diagrams are referenced to 0V - Logical 1 = -12v, logical 0 = 0V

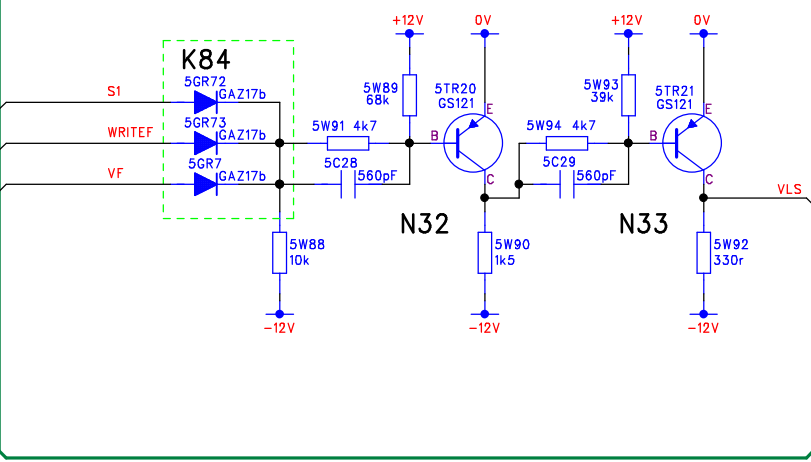
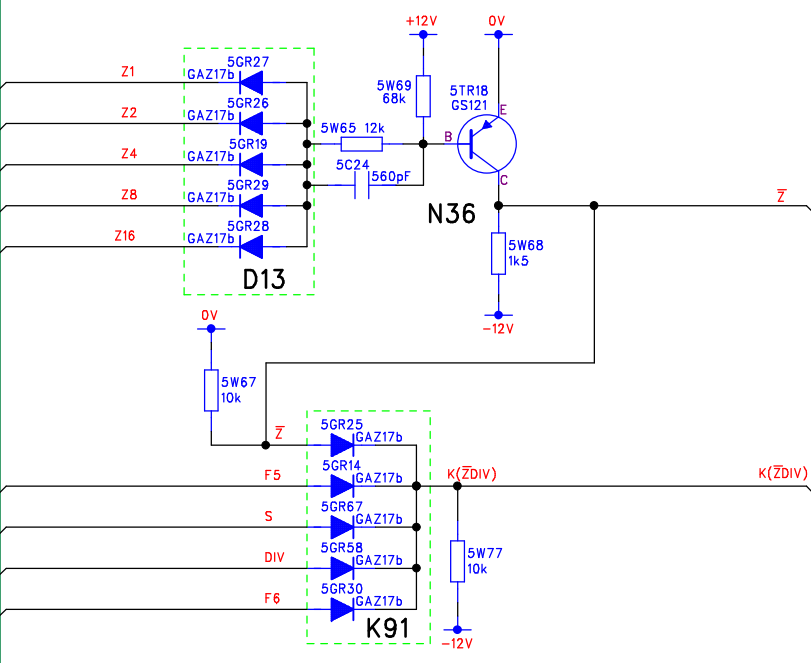
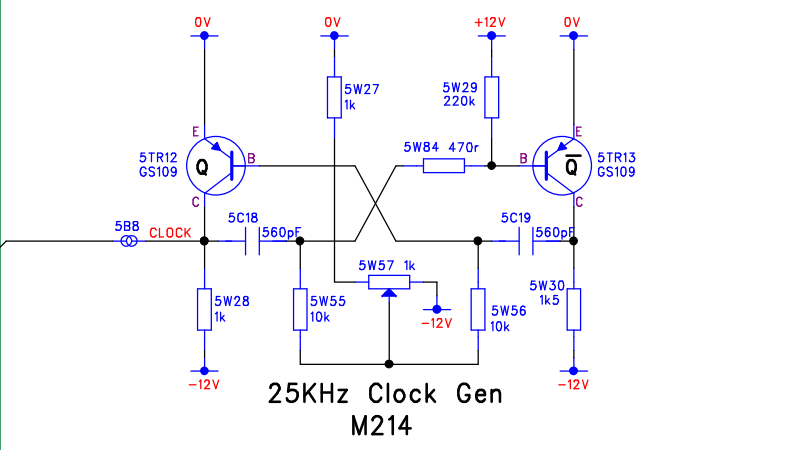
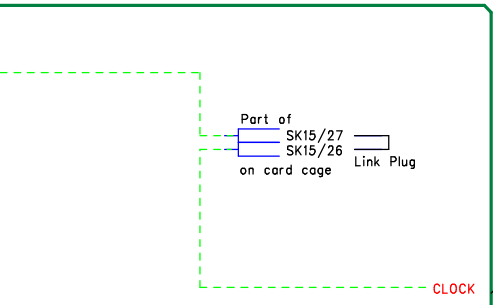
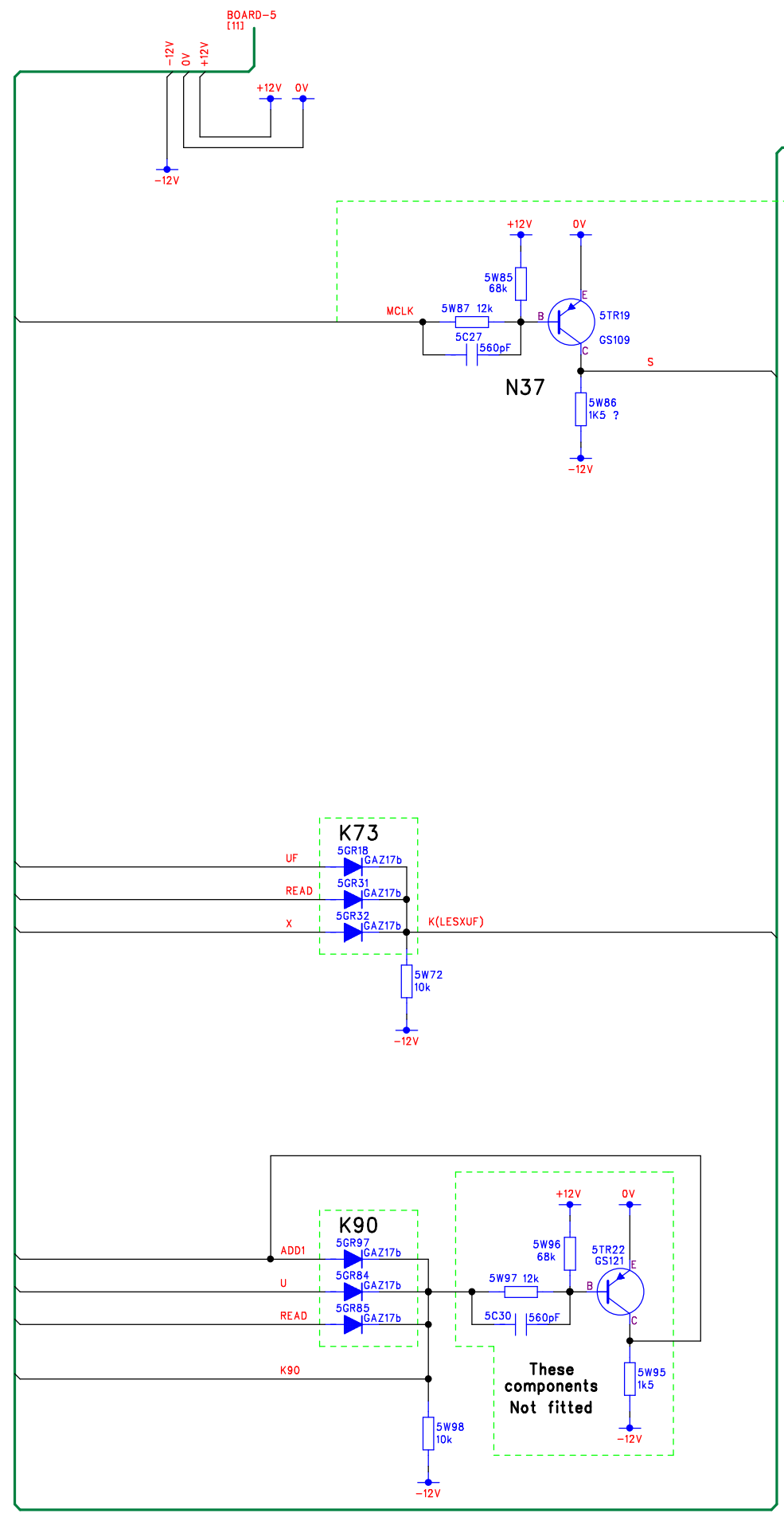


DM Associates
 33, Northbrook Road
 Aldershot, Hampshire. GU11 3HE
 Email: mike@soemtron.org
 www.soemtron.org

Pcb Dwg # =		Scale	Nts	Title	
Drawn	Name	Date	Sheet	Soemtron ETR 220 Calculator	
Checked	MD Hatch	25/2/2008	Next Sheet	Registers V, SCHRIEB, S1	
			Drawing Number	BOARD 5	
				Soemtron 220	A2 Issue A

© 2008 Mike Hatch. (www.soemtron.org)

RevNo	Revision note	Date	By	Checked
-	-	-	-	-



These diagrams are referenced to 0V - Logical 1 = -12v, logical 0 = 0V



DM Associates
33, Northbrook Road
Aldershot, Hampshire. GU11 3HE
Email: mike@soemtron.org
www.soemtron.org

Pcb Dwg # =

Name	Date
Drawn MD Hatch	25/2/2008
Checked -	-

Scale	Nts
Sheet 12	12
Next Sheet	13
Drawing Number	Soemtron 220

Title	Issue
Soemtron ETR 220 Calculator Control Gating - Clock Generator BOARD 5 Sheet 2	A2

© 2008 Mike Hatch. (www.soemtron.org)