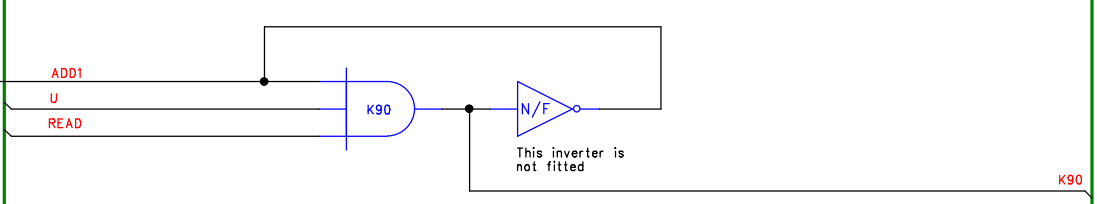
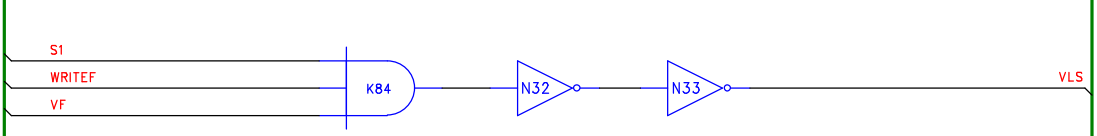
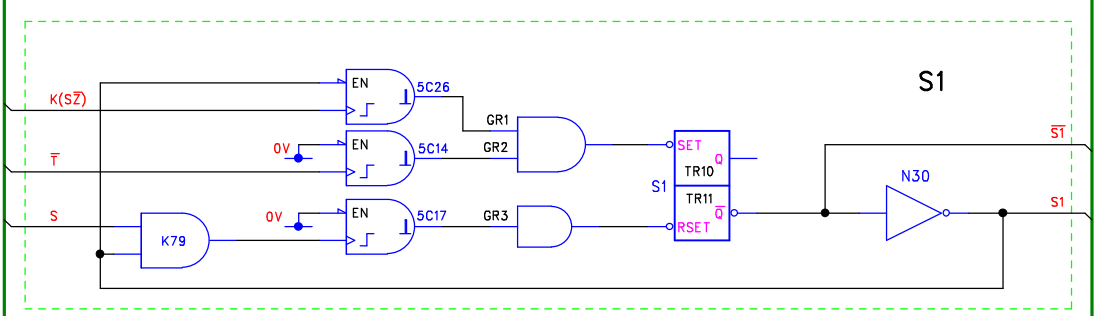
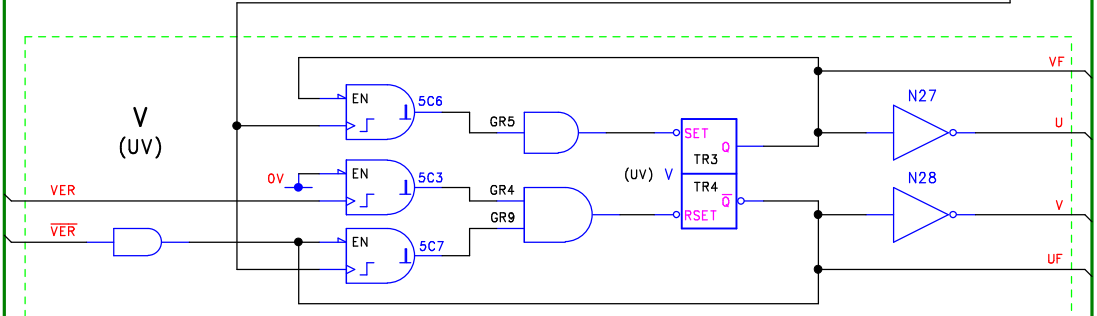
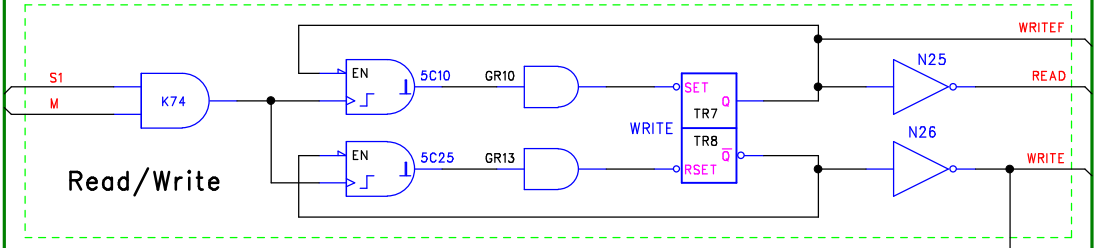
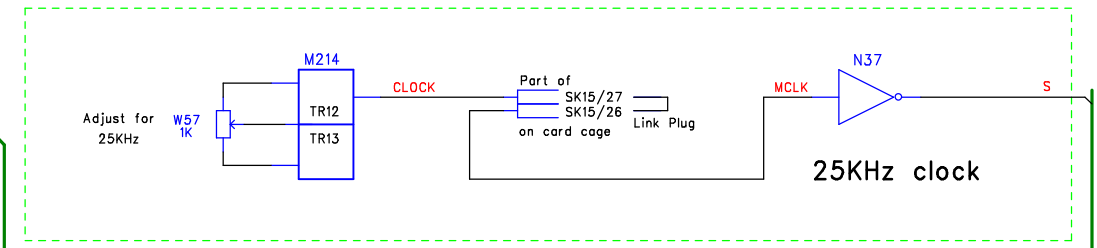
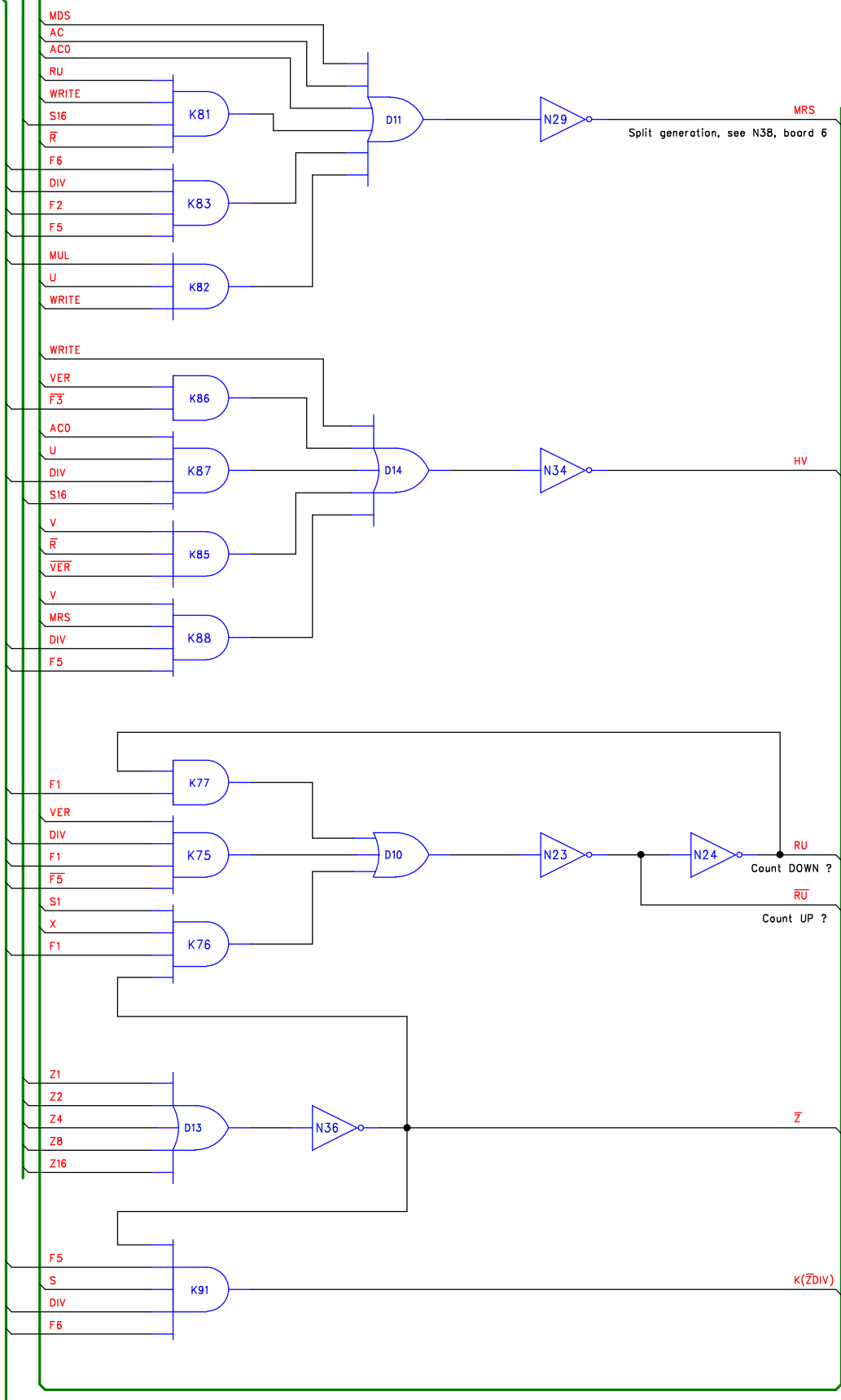


RevNo	Revision note	Date	By	Checked
-	-	-	-	-

CONTROL [1,2,3,4,6,7,8,9,10,11]  
 Z-COUNTER [6,7,8,9,10,11]  
 FUNCTIONS [2,3,4,6,7,8,9,10]



Negative logic referenced to 0V - Logical 1 = -12v, logical 0 = 0v



DM Associates  
 33, Northbrook Road  
 Aldershot, Hampshire. GU11 3HE  
 Email: mike@soemtron.org  
 www.soemtron.org

Pcb Dwg # =

Name	Date
Drawn MD Hatch	19/9/2009
Checked -	-

Scale	Nts
Sheet 5	5
Next Sheet	6
Drawing Number	

Title	Issue
Soemtron ETR 220 Calculator #5 - Control, Clock Gen, Misc Logic Diagram	A