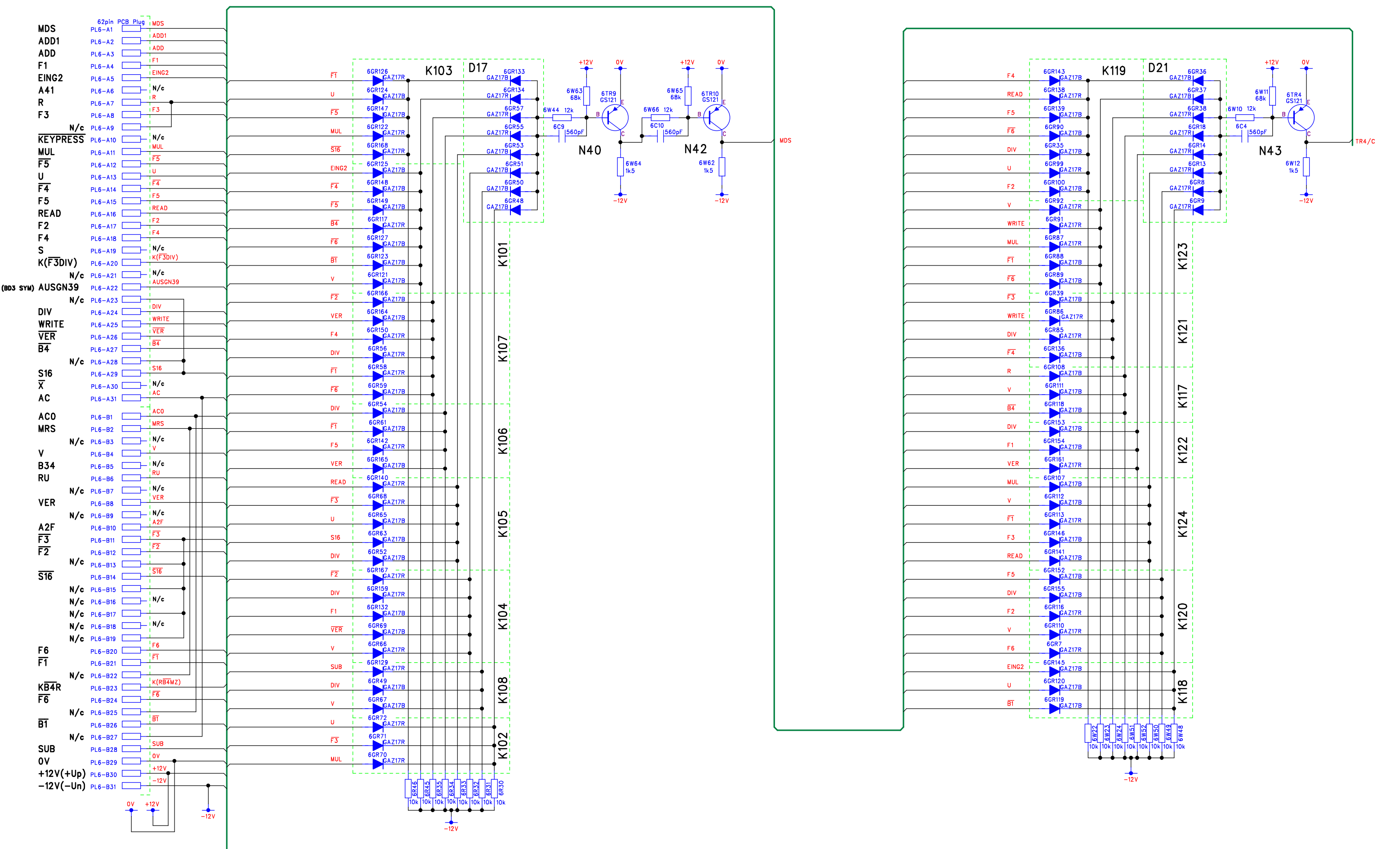


Comp side - 05-220-7006-8 0g
 Solder side - 3038 05-220-7006-8 0e
 Date coded - 22/73

RevNo	Revision note	Date	By	Checked
-	-	-	-	-



These diagrams are referenced to 0V - Logical 1 = -12v, logical 0 = 0V

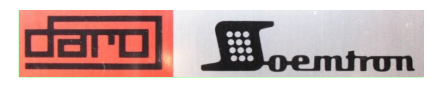
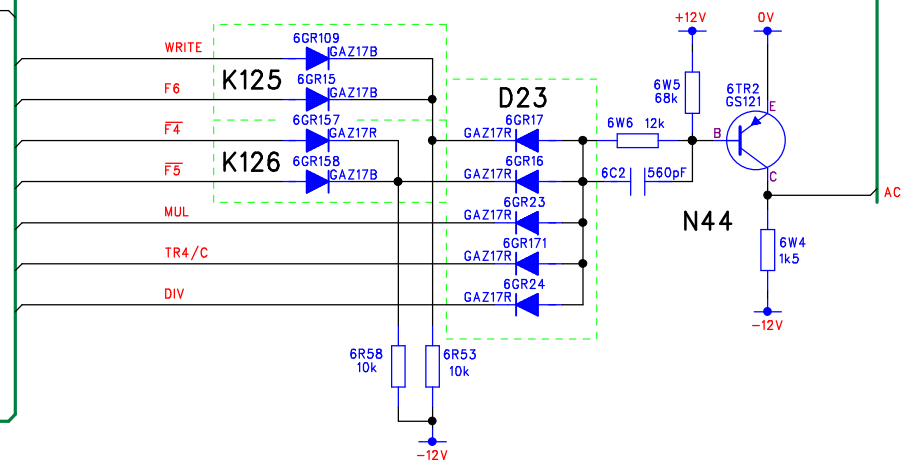
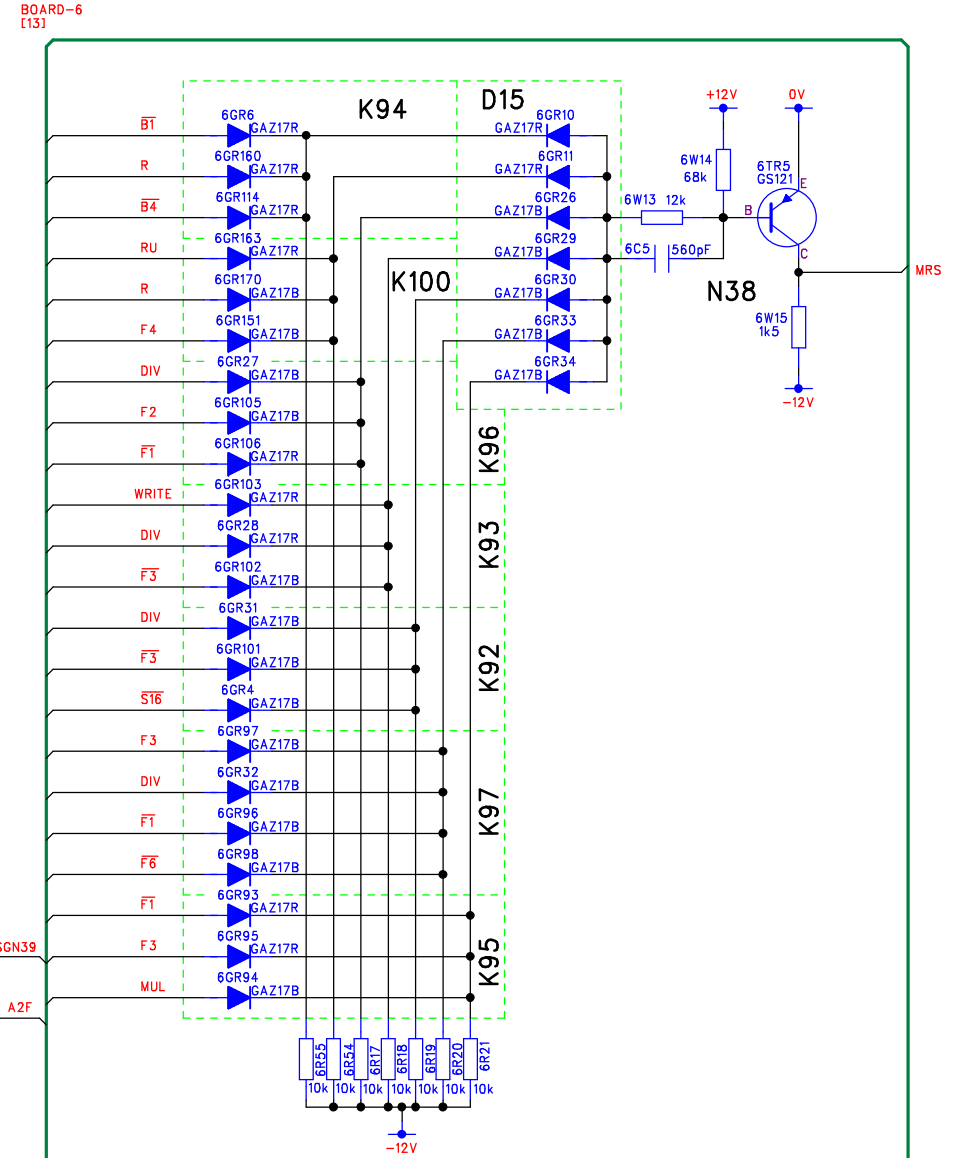
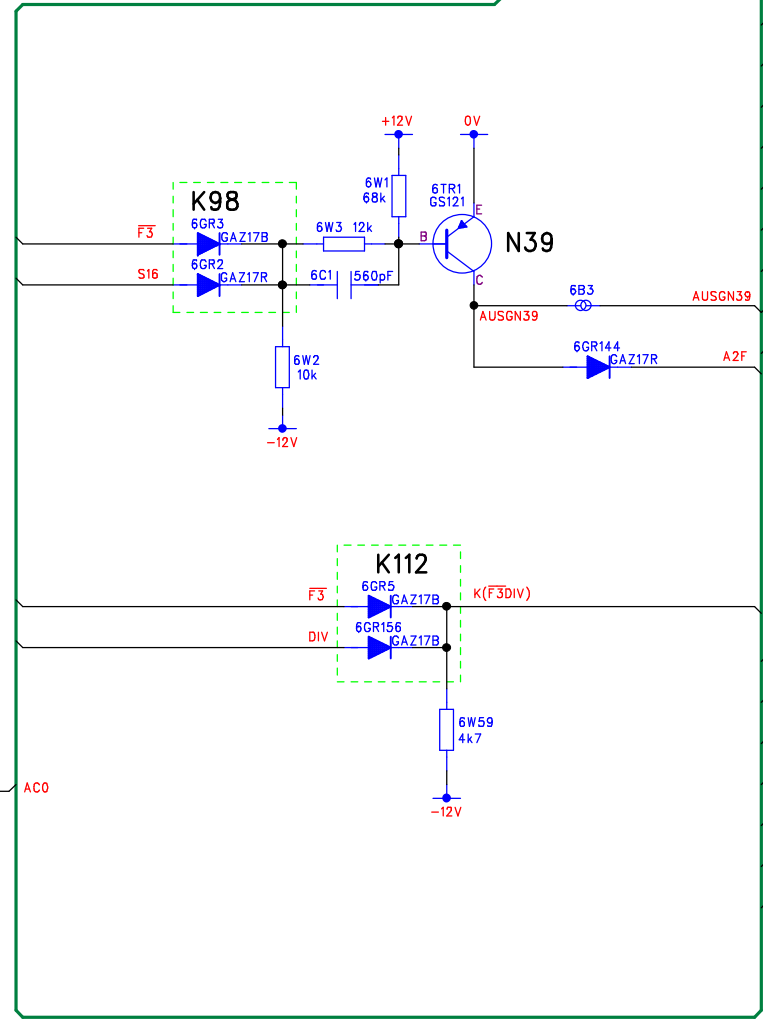
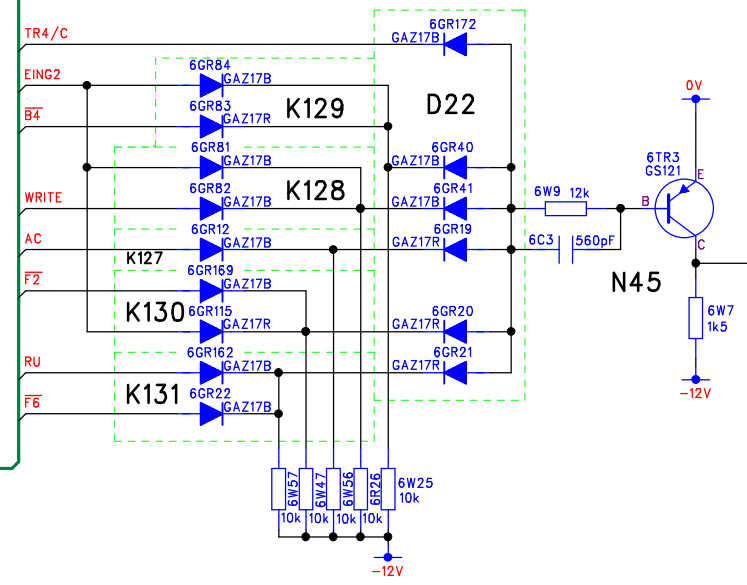
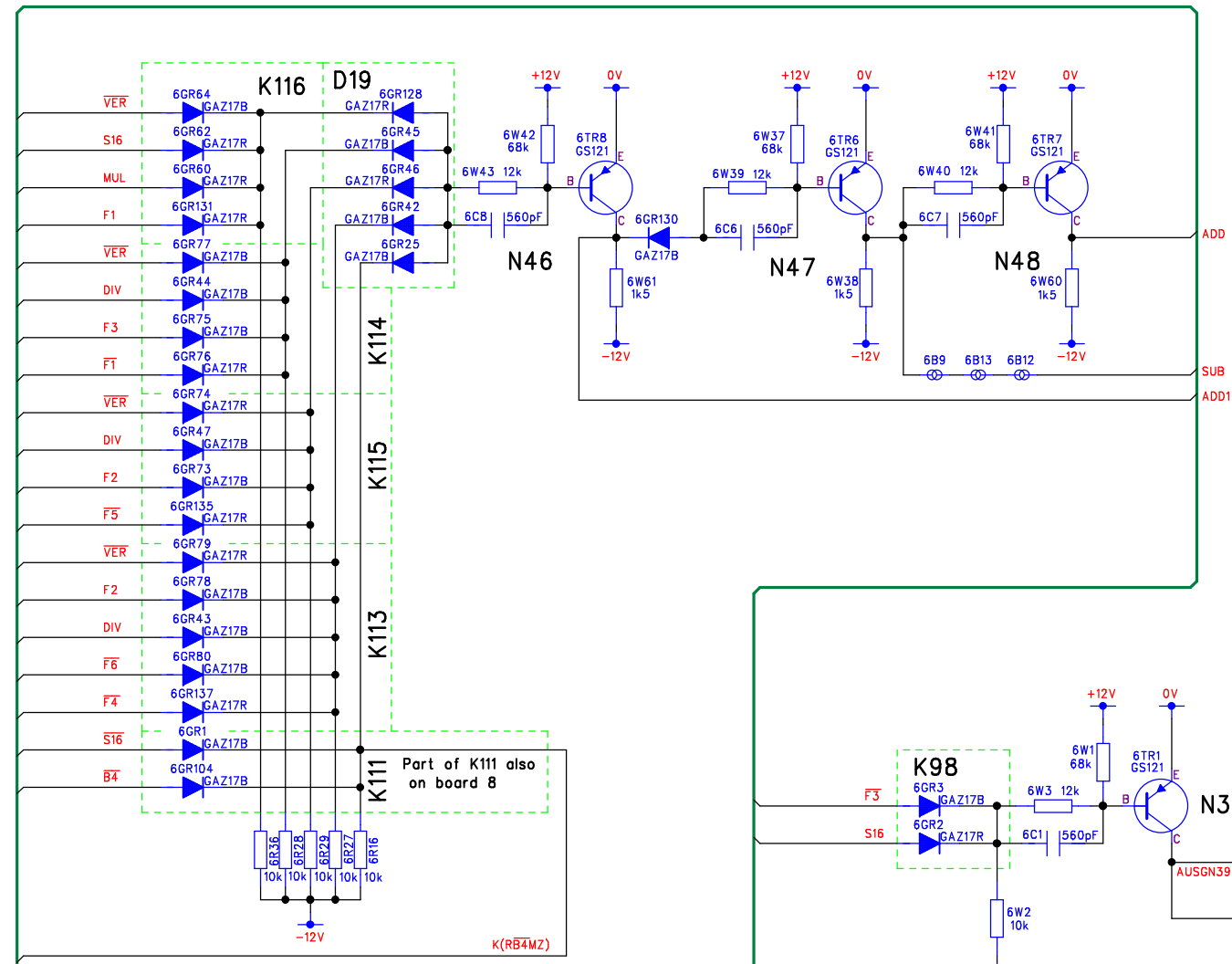
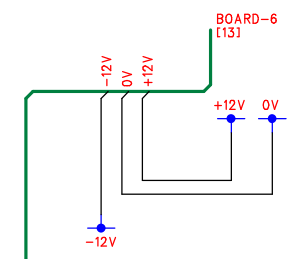


DM Associates
 33, Northbrook Road
 Aldershot, Hampshire. GU11 3HE
 Email: mike@soemtron.org
 www.soemtron.org

Pcb Dwg # =		Scale	Nts	Title	
Drawn	Name	Sheet	13	Soemtron ETR 200 Calculator Control Gating	
Checked	Date	Next Sheet	14	BOARD 6 Sheet 1	
		Drawing Number	Soemtron 220	A2	Issue A

© 2008 Mike Hatch. (www.soemtron.org)

RevNo	Revision note	Date	By	Checked
-	-	-	-	-



DM Associates
 33, Northbrook Road
 Aldershot, Hampshire. GU11 3HE
 Email: mike@soemtron.org
 www.soemtron.org

Pcb Dwg # =

Name	Date
Drawn MD Hatch	20/2/2008
Checked -	-

Scale	Nts
Sheet 14	14
Next Sheet	15
Drawing Number	

Title	Soemtron 220
Soemtron ETR 220 Calculator Control Gating Board 6 Sheet 2	
A2 Issue	A

These diagrams are referenced to 0V - Logical 1 = -12v, logical 0 = 0V