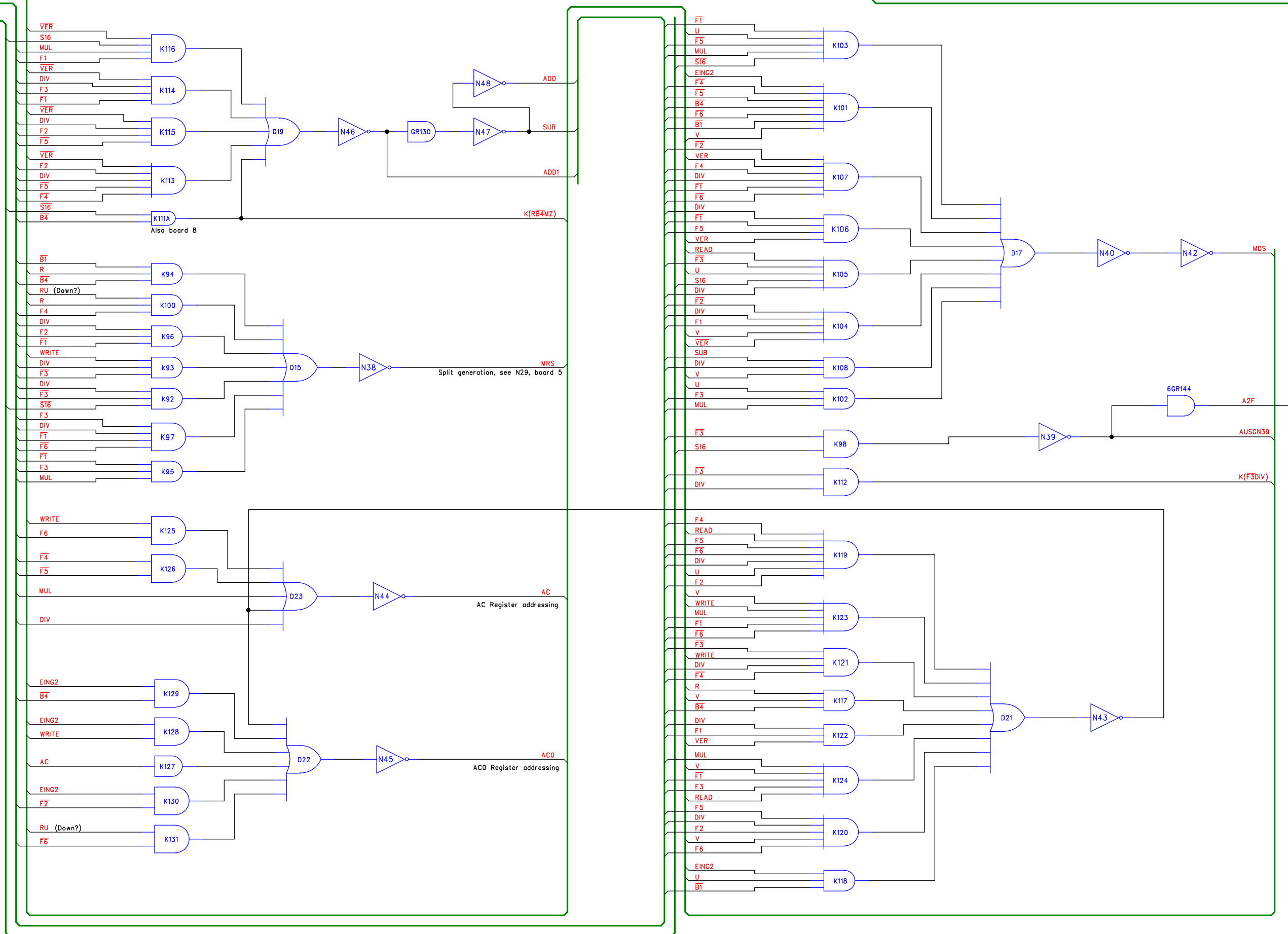


RevNo	Revision note	Date	By	Checked
-	-	-	-	-

A-BUSS [1,3,4,7,8,9]
CONTROL [1,2,3,4,5,7,8,9,10,11]
FUNCTIONS [2,3,4,5,7,8,9,10]
Z-COUNTER [5,7,8,9,10,11]



Negative logic referenced to 0V - Logical 1 = -12v, logical 0 = 0v



DM Associates
33, Northbrook Road
Aldershot, Hampshire. GU11 3HE
Email: mike@soemtron.org
www.soemtron.org

Pcb Dwg # =

Name	Date
MD Hatch	17/9/2009

Scale	Nts
Sheet 6	6
Next Sheet 7	7

Title	Issue
Soemtron ETR 220 Calculator #6 - Control Gating Logic Diagram	A

© 2009 Mike Hatch. (www.soemtron.org)