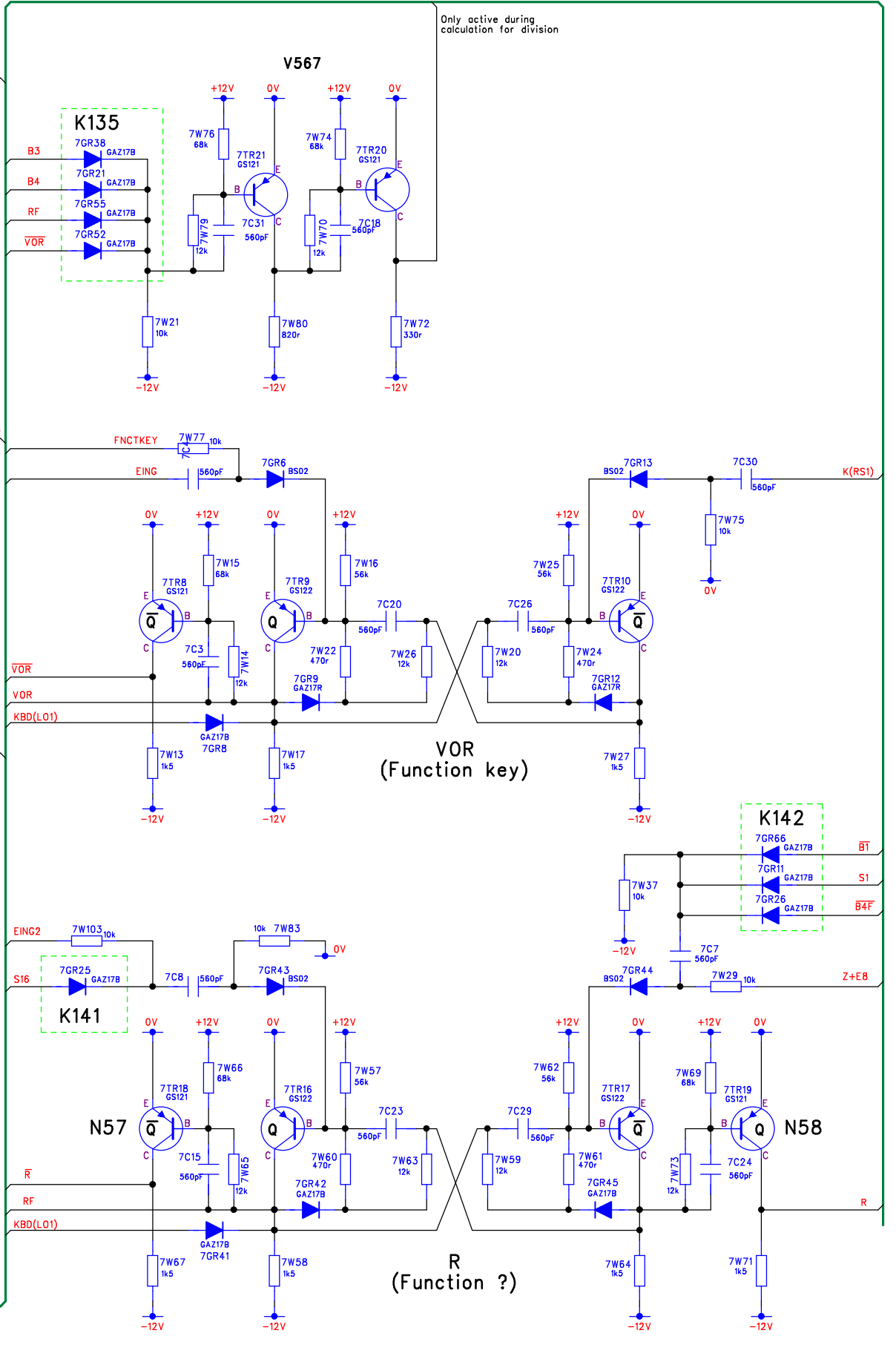
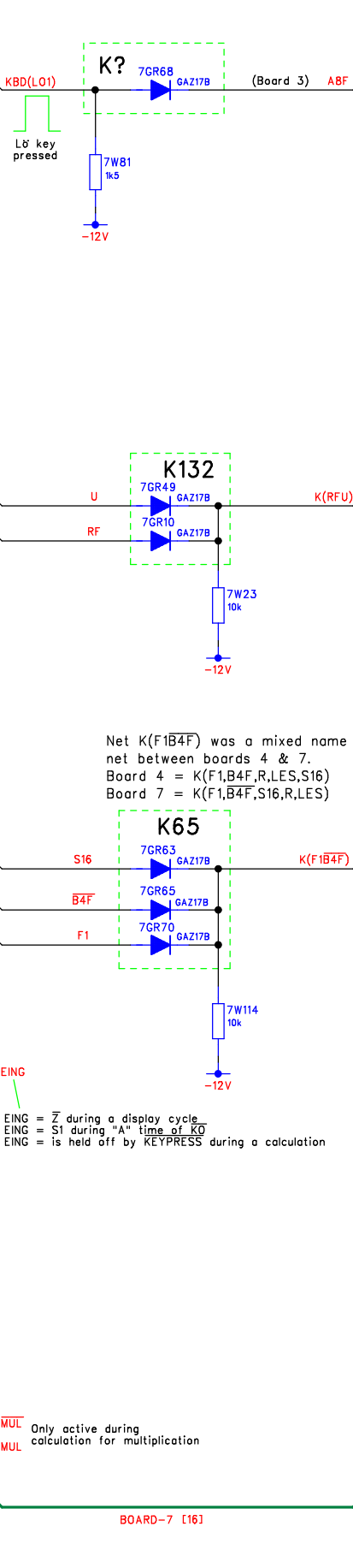
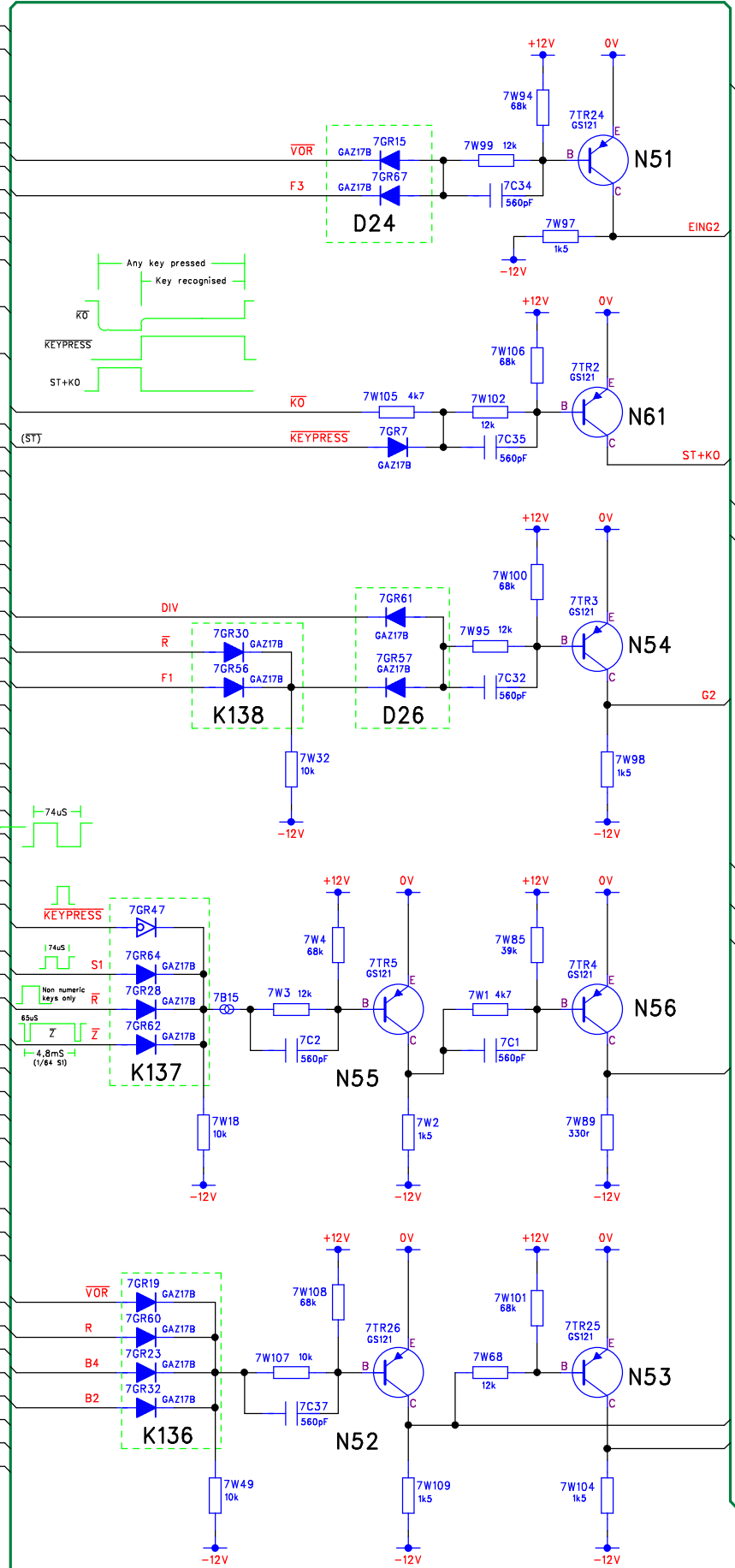


- KY(ADD/SUB) PL7-A1
- K(F1B4F) PL7-A2
- N/c PL7-A3
- F1 PL7-A4
- EING2 PL7-A5
- B3 PL7-A6
- R PL7-A7
- F3 PL7-A8
- K0 PL7-A9
- KEYPRESS PL7-A10
- MUL PL7-A11
- N/c PL7-A12
- U PL7-A13
- N/c PL7-A14
- F5 PL7-A15
- N/c PL7-A16
- DIV PL7-A17
- F2 PL7-A18
- F4 PL7-A19
- S PL7-A20
- EING PL7-A21
- Z PL7-A22
- ZB PL7-A23
- DIV PL7-A24
- MUL PL7-A25
- VER PL7-A26
- B4 PL7-A27
- R PL7-A28
- S16 PL7-A29
- X PL7-A30
- K(F1UBER) PL7-A31
- KY(DIV) PL7-B1
- Z+E8 PL7-B2
- G2 PL7-B3
- S1 PL7-B4
- K(Z8B4R) PL7-B5
- B1 PL7-B6
- RU PL7-B7
- N/c PL7-B8
- VOR PL7-B9
- N/c PL7-B9
- A8F PL7-B10
- KY(EQU) PL7-B11
- N/c PL7-B12
- B2 PL7-B13
- KY(MUL) PL7-B14
- B3 PL7-B15
- VOR PL7-B16
- N/c PL7-B17
- B4 PL7-B18
- B2 PL7-B18
- N/c PL7-B19
- K(RFU) PL7-B20
- KBD(L01) PL7-B21
- F6 PL7-B22
- N/c PL7-B23
- ST+K0 PL7-B24
- F6 PL7-B25
- BT PL7-B26
- K(RS1) PL7-B27
- FNCTKEY PL7-B28
- OV PL7-B29
- +12V(+Up) PL7-B30
- 12V(-Un) PL7-B31



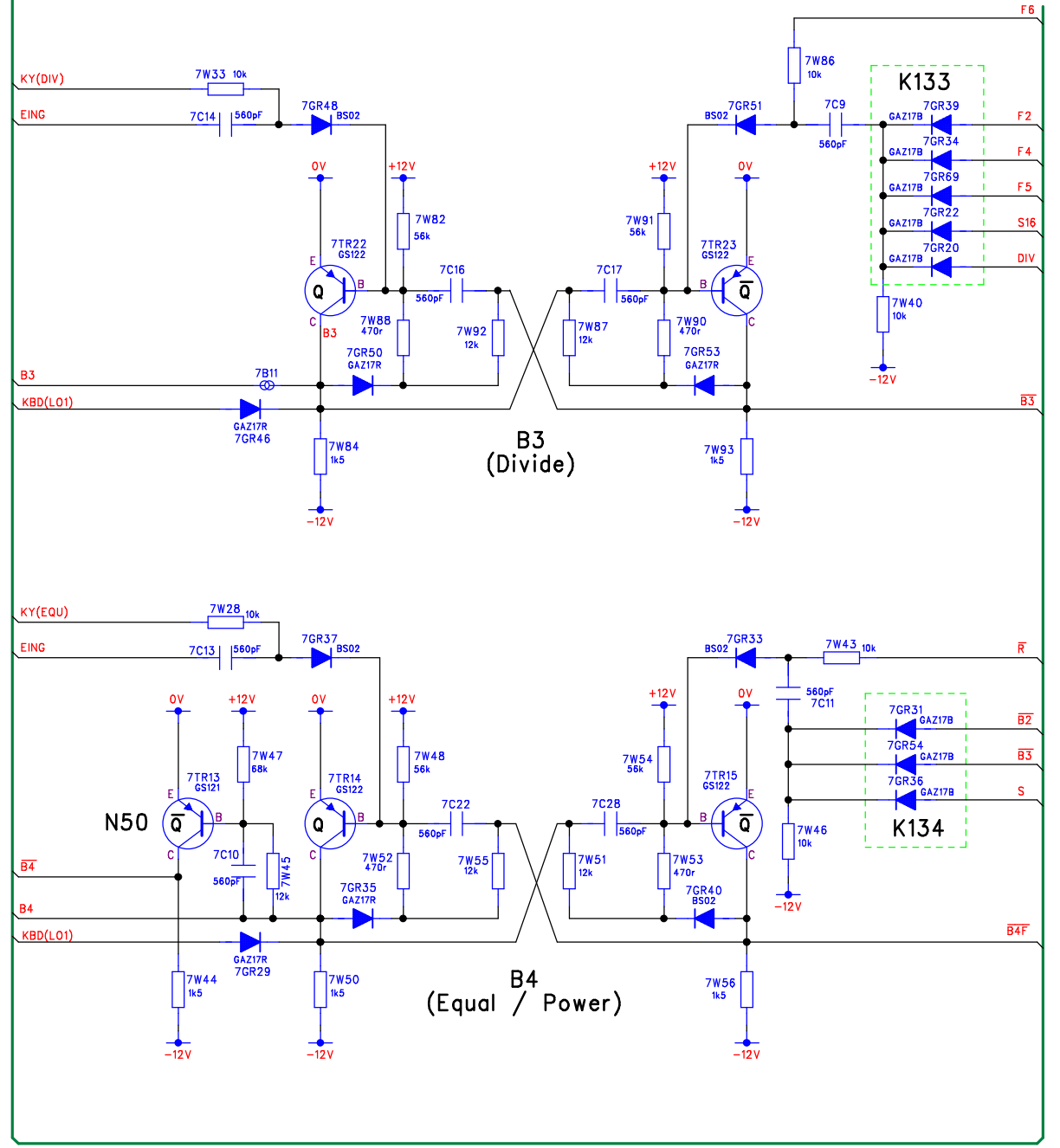
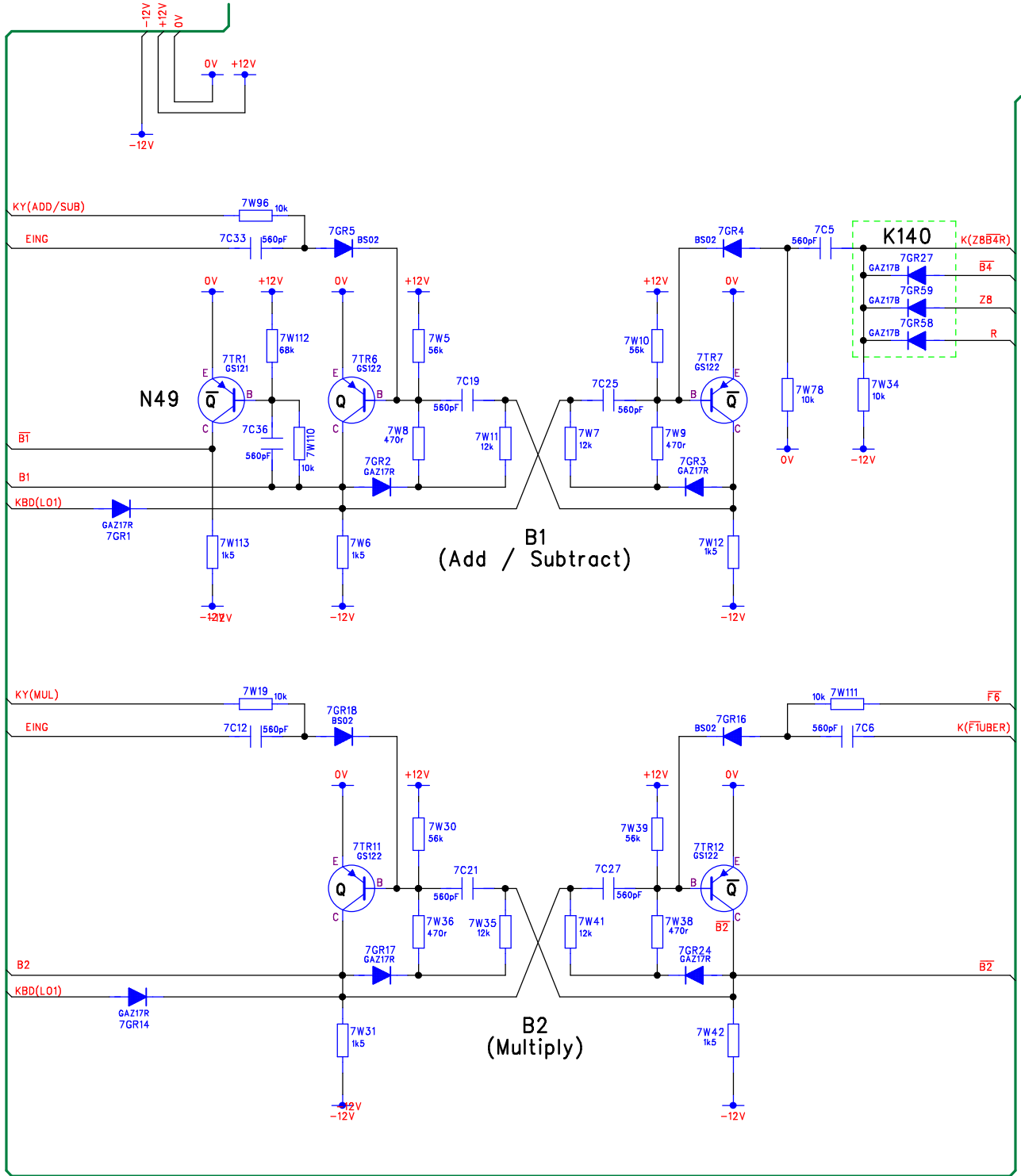
BOARD-7 [16]

DM Associates
 33, Northbrook Road
 Aldershot, Hampshire. GU11 3HE
 Email: mike@soemtron.org
 www.soemtron.org



Pcb Dwg # =		Scale	Nts	Title	
Drawn	Name MD Hatch	Date	Sheet	Soemtron ETR 220 Calculator	
Checked			Next Sheet	Function Latches B1-4, VOR, R	
			Drawing Number	Board 7 Sheet 1	
				Soemtron 220	A2 Issue A

RevNo	Revision note	Date	By	Checked
-	-	-	-	-



These diagrams are referenced to 0V - Logical 1 = -12v, logical 0 = 0V



DM Associates
 33, Northbrook Road
 Aldershot, Hampshire. GU11 3HE
 Email: mike@soemtron.org
 www.soemtron.org

Pcb Dwg # =		Scale	Nts	Title Soemtron ETR 220 Calculator Function Latches B1-4, VOR, R BOARD 7 Sheet 2
Drawn	Name	Sheet	16	
Checked	Date	Next Sheet	17	Drawing Number Soemtron 220

© 2008 Mike Hatch. (www.soemtron.org)