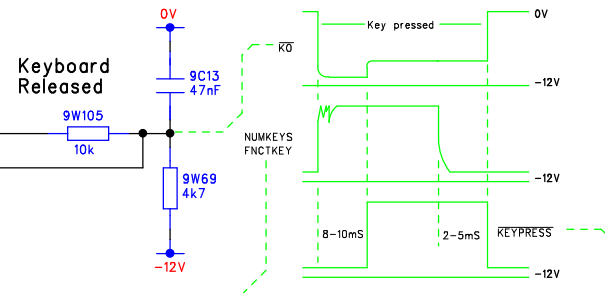
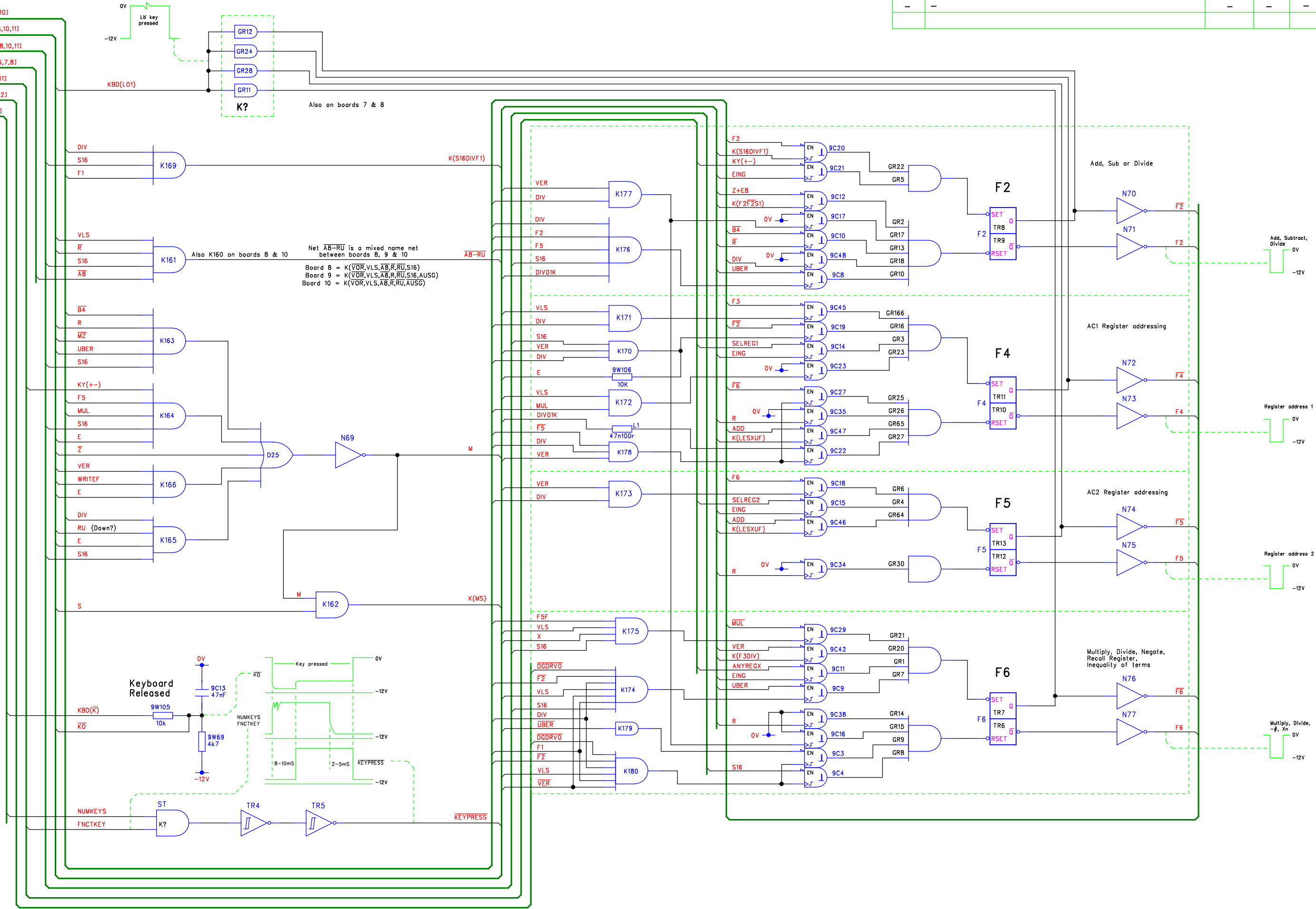


RevNo	Revision note	Date	By	Checked
-	-	-	-	-

- FUNCTIONS [2,3,4,5,6,7,8,10]
- CONTROL [1,2,3,4,5,6,7,8,10,11]
- Z-COUNTER [5,6,7,8,10,11]
- A-BUSS [1,3,4,6,7,8]
- ENCODED-FUNCTION [7,8,11]
- DIGIT-BUSS [1,3,4,12]
- ENCODED-NUMBER [8,12]



DM Associates
 33, Northbrook Road
 Aldershot, Hampshire. GU11 3HE
 Email: mike@soemtron.org
 www.soemtron.org

Pcb Dwg # =		Scale	Nts	Title	
Drawn	Name	Date	Sheet	Soemtron ETR 220 Calculator	
Checked	MD Hatch	10/9/2009	Next Sheet	#9 - Function Latches F2, F4, F5, F6	
			Drawing Number	Soemtron 220 Logic	
				A2	Issue A

Negative logic referenced to 0V - Logical 1 = -12v, logical 0 = 0v

© 2008 Mike Hatch. (www.soemtron.org)