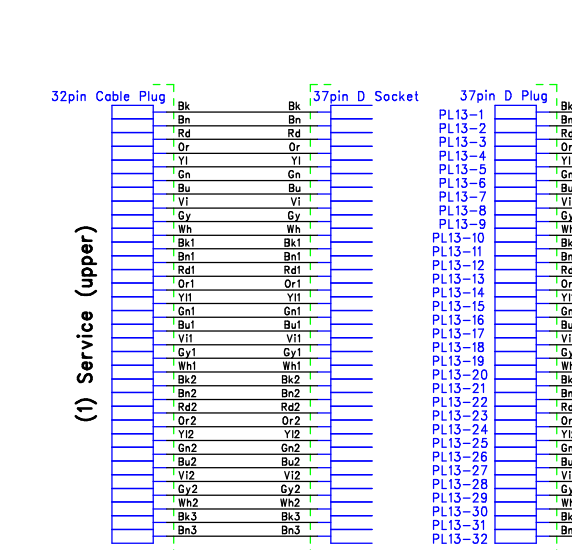
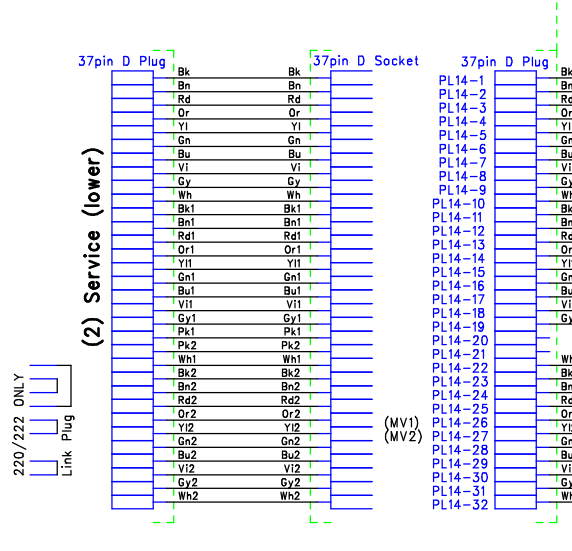
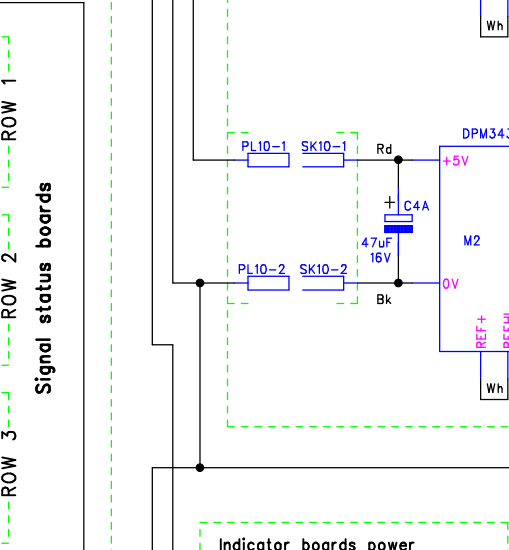


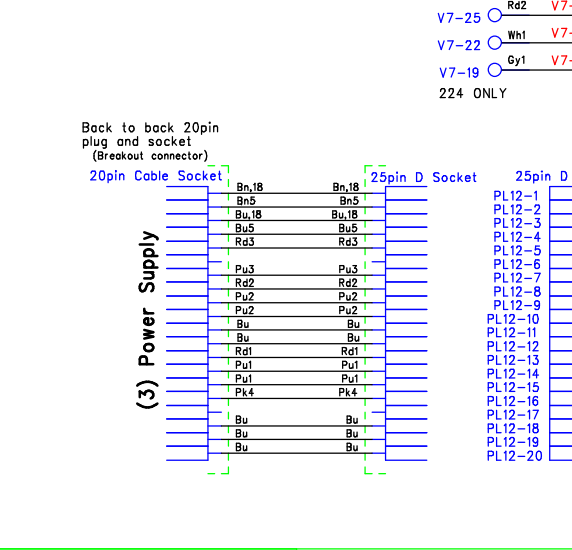
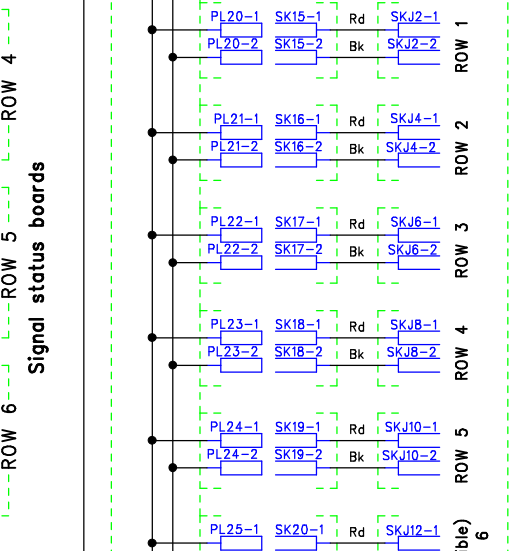
#	+VE Meter	Range	-VE Meter	Range
1	+UP (+12V)	20V	-UN (-12V)	20V
2	+UA0 (+88V)	200V	-USP (-13.5V)	20V
3	+UA (+195V)	200V	-UA (-9.8V)	20V
4	+VE Test	20V	-VE Test	20V



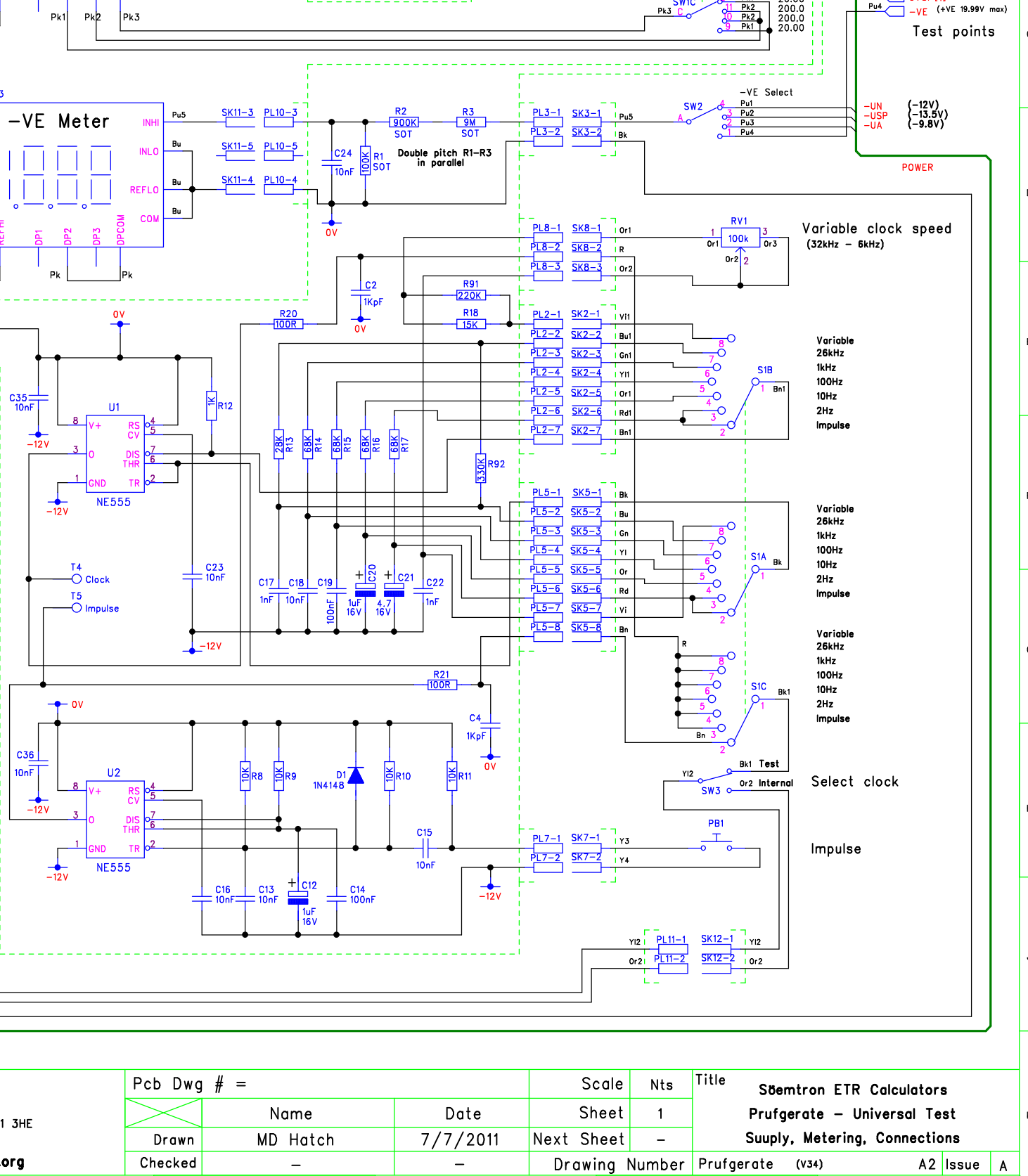
220	222	224
OV	OV	OV
A1	A1	A1
E1	E1	E1
WRITE	WRITE	WRITE
M	M	M
S1	S1	S1
V	V	V
MRS	MRS	MRS
A2	A2	A2
E2	E2	E2
V	V	V
MUL	MUL	MUL
DIV	DIV	DIV
R	R	R
HV	HV	HV
MDS	MDS	MDS
A4	A4	A4
E4	E4	E4
SUB	SUB	SUB
MZ	MZ	MZ
Gn2	Gn2	Gn2
Y2	Y2	Y2
Gn2	Gn2	Gn2
Y2	Y2	Y2
VER	VER	VER
VOR	VOR	VOR
AC	AC	AC
ACO	ACO	ACO
AB	AB	AB



220	222	224
EB	EB	EB
UBER	UBER	UBER
F1	F1	F1
F2	F2	F2
F3	F3	F3
F4	F4	F4
F5	F5	F5
F6	F6	F6
Z1	Z1	Z1
Z2	Z2	Z2
Z4	Z4	Z4
Z8	Z8	Z8
Z16	Z16	Z16
Z16	Z16	Z16
(B1)	(B1)	(B1)
(B2)	(B2)	(B2)
(B3)	(B3)	(B3)
(B4)	(B4)	(B4)
(B4)	(B4)	(B4)
? 14 ?	? 14 ?	? 14 ?
? 19 ?	? 19 ?	? 19 ?
-12V	-12V	-12V
+12V	+12V	+12V
+190Vin	+190Vin	+190Vin
+190V	+190V	+190V
+UA1	+UA1	+UA1
+UA0	+UA0	+UA0
-USP	-USP	-USP
CLOCK	CLOCK	CLOCK
MCLK	MCLK	MCLK
(KEY'in)	(KEY'in)	(KEY'in)
(KEY)	(KEY)	(KEY)
? 25 ?	? 25 ?	? 25 ?
? 32 ?	? 32 ?	? 32 ?



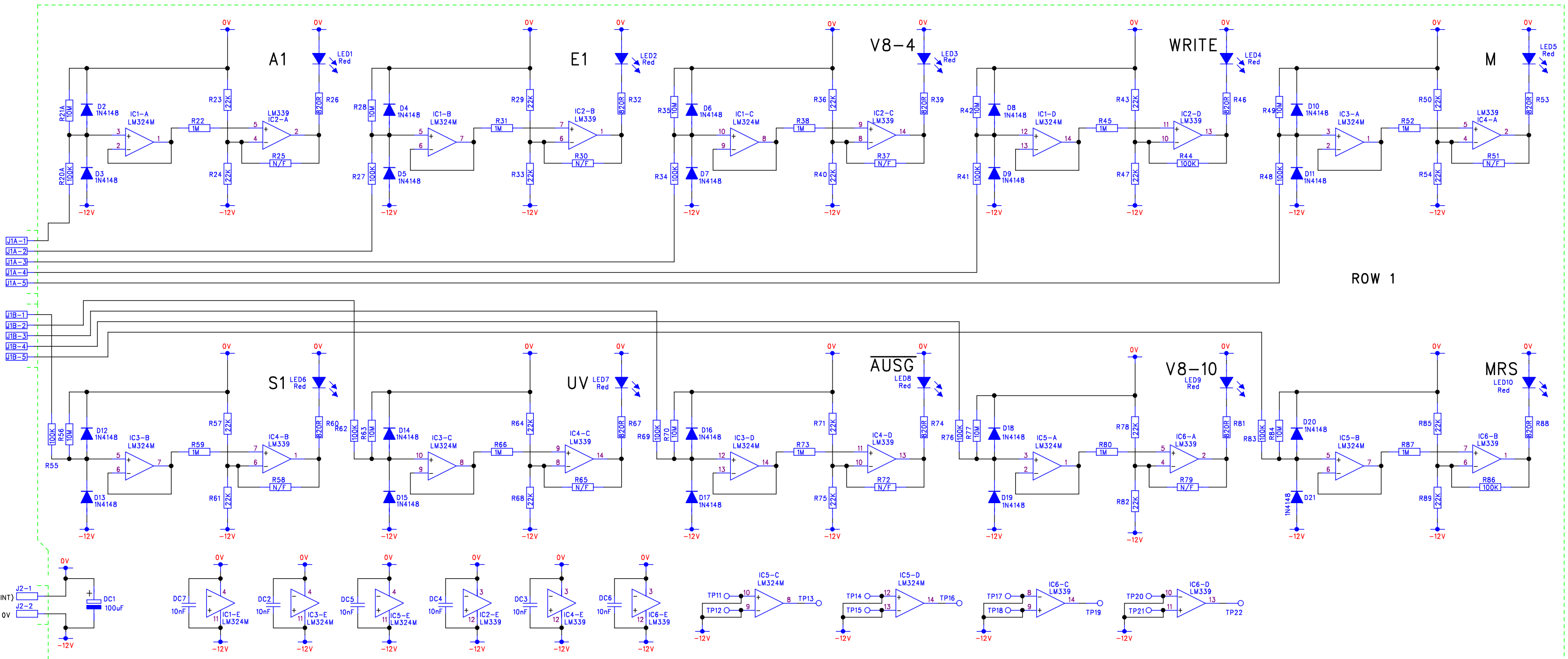
220	222	224
MAINS ON L	MAINS ON L	MAINS ON L
MAINS ON N	MAINS ON N	MAINS ON N
MAINS ON +UA (+190V)	MAINS ON +UA (+190V)	MAINS ON +UA (+190V)
+UA	+UA	+UA
-UA (-10V)	-UA (-10V)	-UA (-10V)
+UA0 (+90V)	+UA0 (+90V)	+UA0 (+90V)
-USP (-13.5V)	-USP (-13.5V)	-USP (-13.5V)
-USP (-13.5V)	-USP (-13.5V)	-USP (-13.5V)
OV	OV	OV
+UP (+12V)	+UP (+12V)	+UP (+12V)
-UN (-12V)	-UN (-12V)	-UN (-12V)
-UN (-12V)	-UN (-12V)	-UN (-12V)
KBD(LO1)	KBD(LO1)	KBD(LO1)
OVSP	OVSP	OVSP
OVSP	OVSP	OVSP
OVSP	OVSP	OVSP



DM Associates  
33, Northbrook Road  
Aldershot, Hampshire. GU11 3HE  
Email: mike@soemtron.org  
www.soemtron.org

Pcb Dwg # =	Name	Date	Scale	Nts	Title
	MD Hatch	7/7/2011	Sheet	1	Soemtron ETR Calculators
Drawn			Next Sheet	-	Prufgerate - Universal Test
Checked			Drawing Number		Supply, Metering, Connections
					Prufgerate (v34) A2 Issue A

RevNo	Revision note	Date	By	Checked
V34	R91 & R92 added to trim timing ranges	10/2/2014	MDH	-



J3 J4	A2, E2, V8-14, V, V8-16, MUL, DIV, R, HV, MDS	ROW 2
J5 J6	A4, E4, V8-24, SUB, $\overline{MZ}$ , RU, VER, $\overline{VOR}$ , AC, ACO	ROW 3
J7 J8	A8, E8, KBD(Lo1), UBER, F1, F2, F3, F4, F5, F6	ROW 4
J9 J10	Z1, Z2, Z4, Z8, Z16, V7-14, $\overline{B1}$ , B2, B3, $\overline{B4}$	ROW 5
J11 J12	V7-19, V7-22, V7-25, MV1, MV2, AUSG, $\overline{KEYIN}$ , $\overline{KEY}$ , V7-31, V7-32	ROW 6



DM Associates  
 33, Northbrook Road  
 Aldershot, Hampshire. GU11 3HE  
 Email: mike@soemtron.org  
 www.soemtron.org

Pcb Dwg # =		Scale	Nts	Title Søemtron ETR 220 Calculator Prüfgerate - Universal Test 10 Channel Indicator
Drawn	Name MD Hatch	Sheet	-	
Checked	Date 9/9/2011	Next Sheet	-	Prüfgerate (v34) A2 Issue A
		Drawing Number		

Notes: