

RevNo	Revision note	Date	By	Checked
V34	R91 & R92 added to trim timing ranges	10/2/2014	MDH	-

Meter (SWIA/B) Range Selection			
#	+VE Meter Range	-VE Meter Range	Range
1	+UP (+12V)	-UN (-12V)	20V
2	+UAO (+88V)	-USP (-13.5V)	20V
3	+UA (+195V)	-UA (-9.8V)	20V
4	+VE Test	-VE Test	20V

(1) Service (upper)

32pin Cable Plug	37pin D Socket	37pin D Plug
Bk, Bn, Br, Bt, Bv, Bw, Bx, By, Bz, Gv, Gw, Gx, Gy, Gz, Hv, Hw, Hx, Hy, Hz, Mv, Mw, Mx, My, Mz, Rv, Rw, Rx, Ry, Rz, Sv, Sw, Sx, Sy, Sz, Uv, Uw, Ux, Uy, Uz, Vv, Vw, Vx, Vy, Vz, Wv, Ww, Wx, Wy, Wz, Xv, Xw, Xx, Xy, Xz, Yv, Yw, Yx, Yy, Yz, Zv, Zw, Zx, Zy, Zz	Bk, Bn, Br, Bt, Bv, Bw, Bx, By, Bz, Gv, Gw, Gx, Gy, Gz, Hv, Hw, Hx, Hy, Hz, Mv, Mw, Mx, My, Mz, Rv, Rw, Rx, Ry, Rz, Sv, Sw, Sx, Sy, Sz, Uv, Uw, Ux, Uy, Uz, Vv, Vw, Vx, Vy, Vz, Wv, Ww, Wx, Wy, Wz, Xv, Xw, Xx, Xy, Xz, Yv, Yw, Yx, Yy, Yz, Zv, Zw, Zx, Zy, Zz	Bk, Bn, Br, Bt, Bv, Bw, Bx, By, Bz, Gv, Gw, Gx, Gy, Gz, Hv, Hw, Hx, Hy, Hz, Mv, Mw, Mx, My, Mz, Rv, Rw, Rx, Ry, Rz, Sv, Sw, Sx, Sy, Sz, Uv, Uw, Ux, Uy, Uz, Vv, Vw, Vx, Vy, Vz, Wv, Ww, Wx, Wy, Wz, Xv, Xw, Xx, Xy, Xz, Yv, Yw, Yx, Yy, Yz, Zv, Zw, Zx, Zy, Zz

V8-SERVICE-1

220	222	224
0V	0V	0V
A1	A1	A1
E1	E1	E1
WRITE	WRITE	WRITE
S1	S1	S1
P 8 P	P 8 P	P 8 P
9 ? 9 ?	9 ? 9 ?	9 ? 9 ?
DRV-ST	DRV-ST	DRV-ST
MRS	MRS	MRS
A2	A2	A2
E2	E2	E2
V	V	V
V-14	V-14	V-14
MUL	MUL	MUL
DIV	DIV	DIV
R	R	R
HV	HV	HV
MDS	MDS	MDS
A4	A4	A4
E4	E4	E4
SUB	SUB	SUB
MZ	MZ	MZ
RU	RU	RU
VER	VER	VER
VOR	VOR	VOR
AC	AC	AC
ACO	ACO	ACO
AB	AB	AB

V7-SERVICE-2

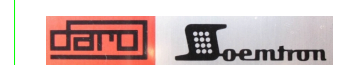
220	222	224
EB	EB	EB
URER	URER	URER
F1	F1	F1
F2	F2	F2
F3	F3	F3
F4	F4	F4
F5	F5	F5
F6	F6	F6
F7	F7	F7
F8	F8	F8
F9	F9	F9
F10	F10	F10
Z1	Z1	Z1
Z2	Z2	Z2
Z3	Z3	Z3
Z4	Z4	Z4
Z5	Z5	Z5
Z6	Z6	Z6
Z7	Z7	Z7
Z8	Z8	Z8
Z9	Z9	Z9
Z10	Z10	Z10
(B1)	(B1)	(B1)
(B2)	(B2)	(B2)
(B3)	(B3)	(B3)
(B4)	(B4)	(B4)
(B5)	(B5)	(B5)
(B6)	(B6)	(B6)
(B7)	(B7)	(B7)
(B8)	(B8)	(B8)
(B9)	(B9)	(B9)
(B10)	(B10)	(B10)
(B11)	(B11)	(B11)
(B12)	(B12)	(B12)
(B13)	(B13)	(B13)
(B14)	(B14)	(B14)
(B15)	(B15)	(B15)
(B16)	(B16)	(B16)
(B17)	(B17)	(B17)
(B18)	(B18)	(B18)
(B19)	(B19)	(B19)
(B20)	(B20)	(B20)
(B21)	(B21)	(B21)
(B22)	(B22)	(B22)
(B23)	(B23)	(B23)
(B24)	(B24)	(B24)
(B25)	(B25)	(B25)
(B26)	(B26)	(B26)
(B27)	(B27)	(B27)
(B28)	(B28)	(B28)
(B29)	(B29)	(B29)
(B30)	(B30)	(B30)
(B31)	(B31)	(B31)
(B32)	(B32)	(B32)
(B33)	(B33)	(B33)
(B34)	(B34)	(B34)
(B35)	(B35)	(B35)
(B36)	(B36)	(B36)
(B37)	(B37)	(B37)
(B38)	(B38)	(B38)
(B39)	(B39)	(B39)
(B40)	(B40)	(B40)
(B41)	(B41)	(B41)
(B42)	(B42)	(B42)
(B43)	(B43)	(B43)
(B44)	(B44)	(B44)
(B45)	(B45)	(B45)
(B46)	(B46)	(B46)
(B47)	(B47)	(B47)
(B48)	(B48)	(B48)
(B49)	(B49)	(B49)
(B50)	(B50)	(B50)
(B51)	(B51)	(B51)
(B52)	(B52)	(B52)
(B53)	(B53)	(B53)
(B54)	(B54)	(B54)
(B55)	(B55)	(B55)
(B56)	(B56)	(B56)
(B57)	(B57)	(B57)
(B58)	(B58)	(B58)
(B59)	(B59)	(B59)
(B60)	(B60)	(B60)
(B61)	(B61)	(B61)
(B62)	(B62)	(B62)
(B63)	(B63)	(B63)
(B64)	(B64)	(B64)
(B65)	(B65)	(B65)
(B66)	(B66)	(B66)
(B67)	(B67)	(B67)
(B68)	(B68)	(B68)
(B69)	(B69)	(B69)
(B70)	(B70)	(B70)
(B71)	(B71)	(B71)
(B72)	(B72)	(B72)
(B73)	(B73)	(B73)
(B74)	(B74)	(B74)
(B75)	(B75)	(B75)
(B76)	(B76)	(B76)
(B77)	(B77)	(B77)
(B78)	(B78)	(B78)
(B79)	(B79)	(B79)
(B80)	(B80)	(B80)
(B81)	(B81)	(B81)
(B82)	(B82)	(B82)
(B83)	(B83)	(B83)
(B84)	(B84)	(B84)
(B85)	(B85)	(B85)
(B86)	(B86)	(B86)
(B87)	(B87)	(B87)
(B88)	(B88)	(B88)
(B89)	(B89)	(B89)
(B90)	(B90)	(B90)
(B91)	(B91)	(B91)
(B92)	(B92)	(B92)
(B93)	(B93)	(B93)
(B94)	(B94)	(B94)
(B95)	(B95)	(B95)
(B96)	(B96)	(B96)
(B97)	(B97)	(B97)
(B98)	(B98)	(B98)
(B99)	(B99)	(B99)
(B100)	(B100)	(B100)

(2) Service (lower)

37pin D Plug	37pin D Socket	37pin D Plug
Bk, Bn, Br, Bt, Bv, Bw, Bx, By, Bz, Gv, Gw, Gx, Gy, Gz, Hv, Hw, Hx, Hy, Hz, Mv, Mw, Mx, My, Mz, Rv, Rw, Rx, Ry, Rz, Sv, Sw, Sx, Sy, Sz, Uv, Uw, Ux, Uy, Uz, Vv, Vw, Vx, Vy, Vz, Wv, Ww, Wx, Wy, Wz, Xv, Xw, Xx, Xy, Xz, Yv, Yw, Yx, Yy, Yz, Zv, Zw, Zx, Zy, Zz	Bk, Bn, Br, Bt, Bv, Bw, Bx, By, Bz, Gv, Gw, Gx, Gy, Gz, Hv, Hw, Hx, Hy, Hz, Mv, Mw, Mx, My, Mz, Rv, Rw, Rx, Ry, Rz, Sv, Sw, Sx, Sy, Sz, Uv, Uw, Ux, Uy, Uz, Vv, Vw, Vx, Vy, Vz, Wv, Ww, Wx, Wy, Wz, Xv, Xw, Xx, Xy, Xz, Yv, Yw, Yx, Yy, Yz, Zv, Zw, Zx, Zy, Zz	Bk, Bn, Br, Bt, Bv, Bw, Bx, By, Bz, Gv, Gw, Gx, Gy, Gz, Hv, Hw, Hx, Hy, Hz, Mv, Mw, Mx, My, Mz, Rv, Rw, Rx, Ry, Rz, Sv, Sw, Sx, Sy, Sz, Uv, Uw, Ux, Uy, Uz, Vv, Vw, Vx, Vy, Vz, Wv, Ww, Wx, Wy, Wz, Xv, Xw, Xx, Xy, Xz, Yv, Yw, Yx, Yy, Yz, Zv, Zw, Zx, Zy, Zz

(3) Power Supply

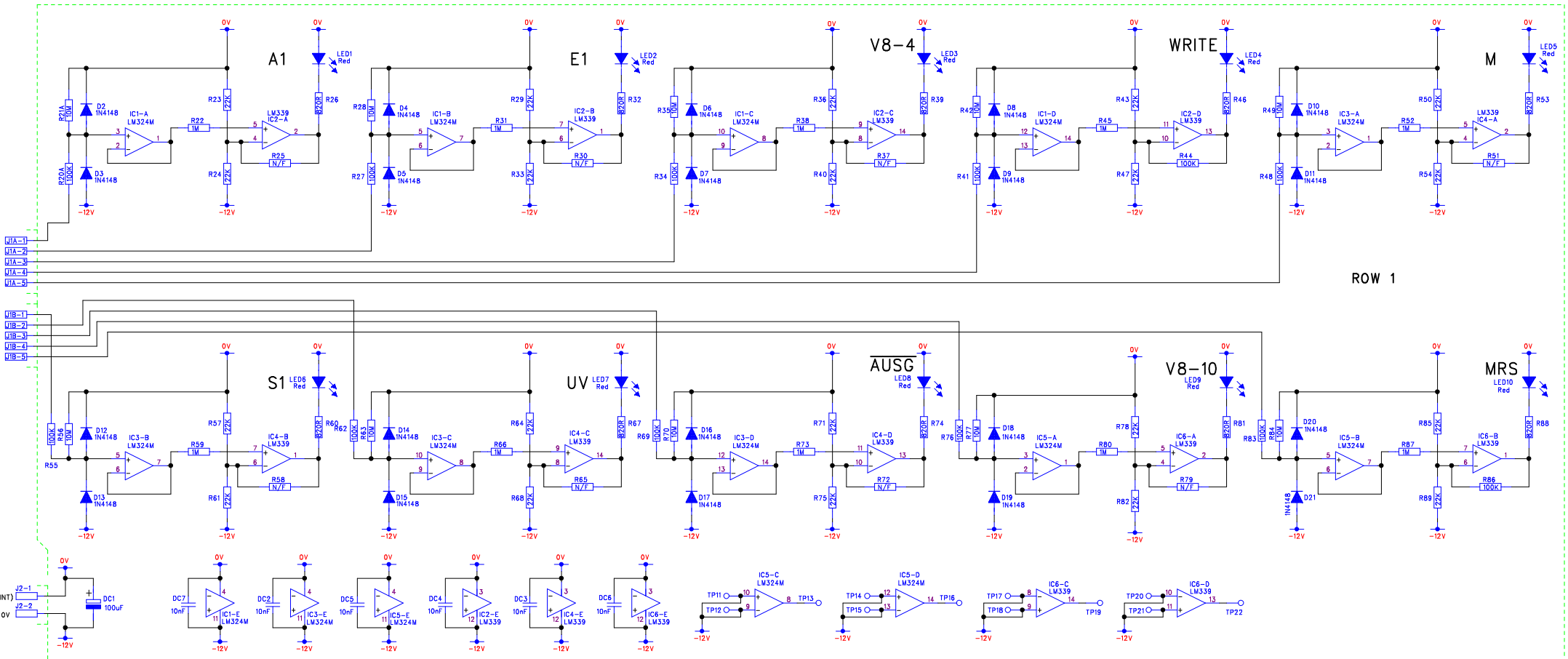
20pin Cable Socket	25pin D Socket	25pin D Plug
Bk, Bn, Br, Bt, Bv, Bw, Bx, By, Bz, Gv, Gw, Gx, Gy, Gz, Hv, Hw, Hx, Hy, Hz, Mv, Mw, Mx, My, Mz, Rv, Rw, Rx, Ry, Rz, Sv, Sw, Sx, Sy, Sz, Uv, Uw, Ux, Uy, Uz, Vv, Vw, Vx, Vy, Vz, Wv, Ww, Wx, Wy, Wz, Xv, Xw, Xx, Xy, Xz, Yv, Yw, Yx, Yy, Yz, Zv, Zw, Zx, Zy, Zz	Bk, Bn, Br, Bt, Bv, Bw, Bx, By, Bz, Gv, Gw, Gx, Gy, Gz, Hv, Hw, Hx, Hy, Hz, Mv, Mw, Mx, My, Mz, Rv, Rw, Rx, Ry, Rz, Sv, Sw, Sx, Sy, Sz, Uv, Uw, Ux, Uy, Uz, Vv, Vw, Vx, Vy, Vz, Wv, Ww, Wx, Wy, Wz, Xv, Xw, Xx, Xy, Xz, Yv, Yw, Yx, Yy, Yz, Zv, Zw, Zx, Zy, Zz	Bk, Bn, Br, Bt, Bv, Bw, Bx, By, Bz, Gv, Gw, Gx, Gy, Gz, Hv, Hw, Hx, Hy, Hz, Mv, Mw, Mx, My, Mz, Rv, Rw, Rx, Ry, Rz, Sv, Sw, Sx, Sy, Sz, Uv, Uw, Ux, Uy, Uz, Vv, Vw, Vx, Vy, Vz, Wv, Ww, Wx, Wy, Wz, Xv, Xw, Xx, Xy, Xz, Yv, Yw, Yx, Yy, Yz, Zv, Zw, Zx, Zy, Zz



DM Associates
33, Northbrook Road
Aldershot, Hampshire, GU11 3HE
Email: mike@soemtron.org
www.soemtron.org

Pcb Dwg # =	Name	Date	Scale	Nts	Title
	MD Hatch	7/7/2011	Sheet 1	1	Soemtron ETR xxx Calculators
Drawn			Next Sheet	2	Prufgerate - Universal Test
Checked			Drawing Number		Prufgerate (v36)
					A2 Issue A

RevNo	Revision note	Date	By	Checked
V34	R91 & R92 added to trim timing ranges	10/2/2014	MDH	-



J3	A2, E2, V8-14, V, V8-16, MUL, DIV, R, HV, MDS	ROW 2
J5	A4, E4, V8-24, SUB, \overline{MZ} , RU, VER, \overline{VOR} , AC, ACO	ROW 3
J7	A8, E8, KBD(Lo1), UBER, F1, F2, F3, F4, F5, F6	ROW 4
J9	Z1, Z2, Z4, Z8, Z16, V7-14, $\overline{B1}$, B2, B3, $\overline{B4}$	ROW 5
J11	V7-19, V7-22, V7-25, MV2, AUSG, \overline{KEYIN} , \overline{KEY} , V7-31, V7-32	ROW 6

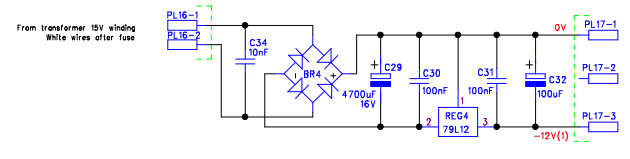
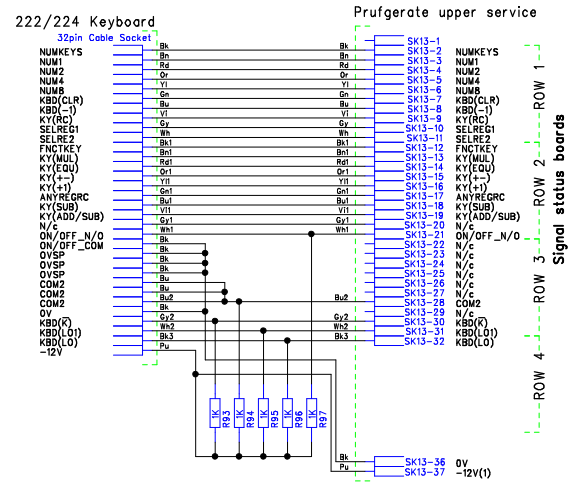


DM Associates
 33, Northbrook Road
 Aldershot, Hampshire, GU11 3HE
 Email: mike@soemtron.org
 www.soemtron.org



Pcb Dwg # =		Scale	Nts	Title
Name	Date	Sheet	2	Søemtron ETR xxx Calculators Prufgerate - Universal Test 10 Channel Indicator
Drawn	MD Hatch	Next Sheet	3	Prufgerate (v36)
Checked	-	Drawing Number		A2 Issue A

Notes:

RevNo	Revision note	Date	By	Checked
-	-	-	-	-



DO NOT MANUFACTURE FROM NUMERICAL ISSUE DRAWINGS

  <p>© 2011 Mike Hatch. (www.soemtron.org)</p>	<p>DM Associates 33, Northbrook Road Aldershot, Hampshire. GU11 3HE Email: mike@soemtron.org www.soemtron.org</p>	Pcb Dwg # =		Scale	Nts	<p>Title Soemtron ETR xxx Calculators Prufgerate - Universal Test ETR 222/4 Keyboard test</p>		
		Name		Date	Sheet		3	
		Drawn		MD Hatch	27/11/2018		Next Sheet	-
		Checked		-	-		Drawing Number	Prufgerate (v36)
						A2 Issue	A	